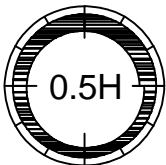
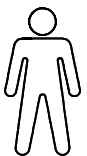
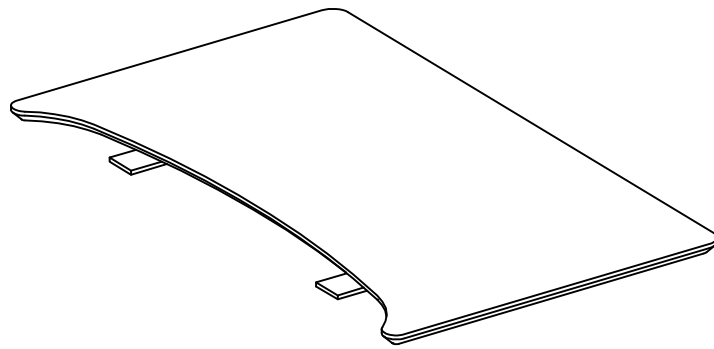
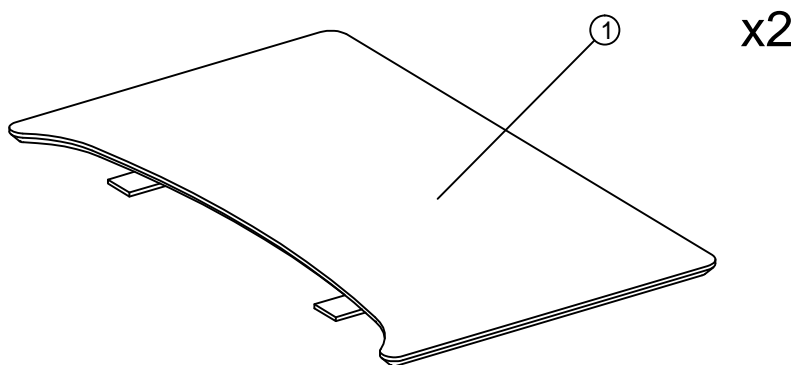


Aston Extension Plate



			✓
①	1	900x540x40	

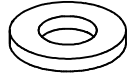


A x4



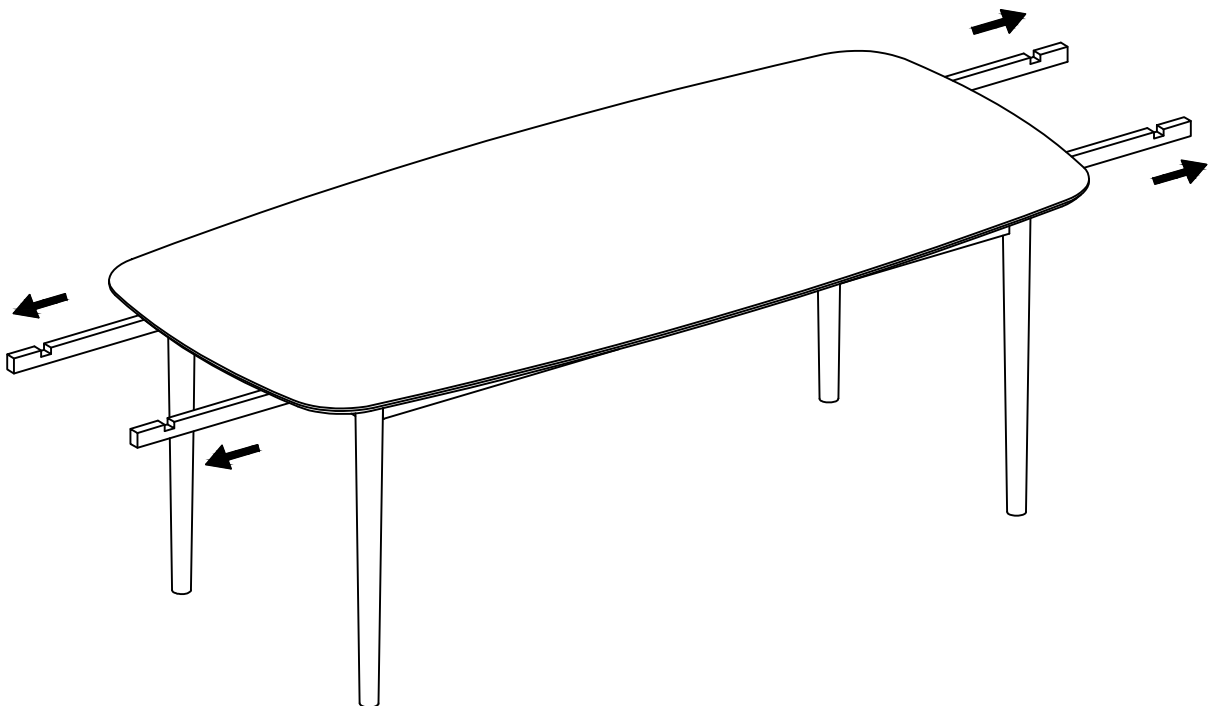
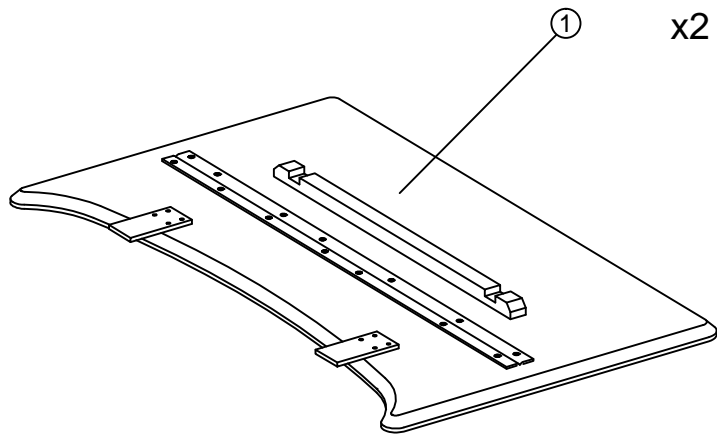
M6x46mm

B x4

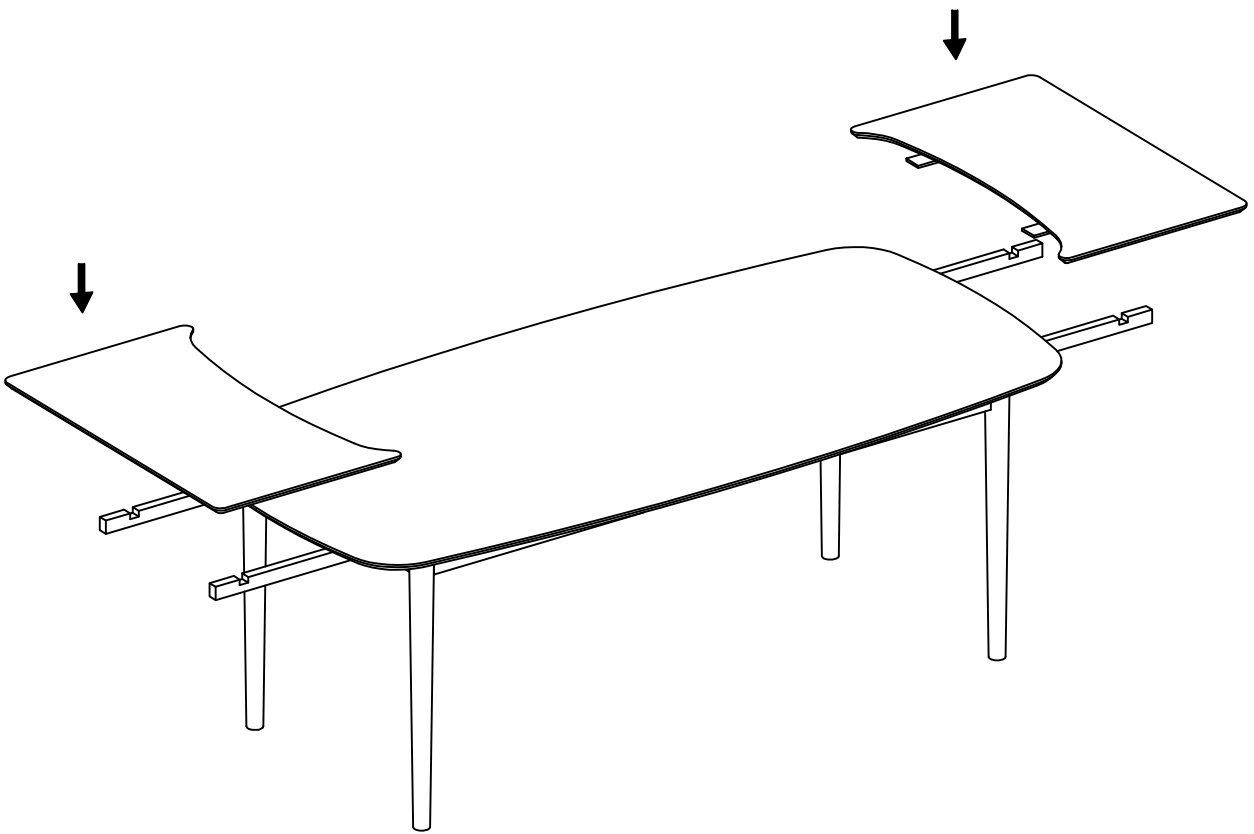


$\phi 6/\phi 16$



1

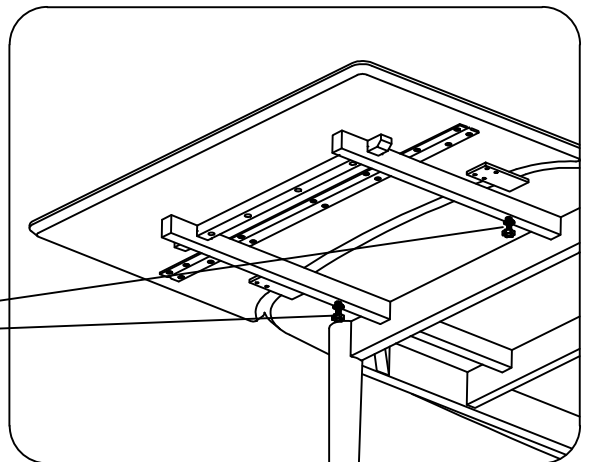
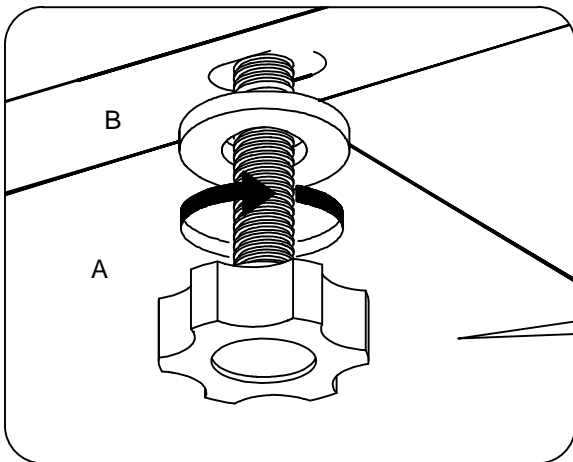
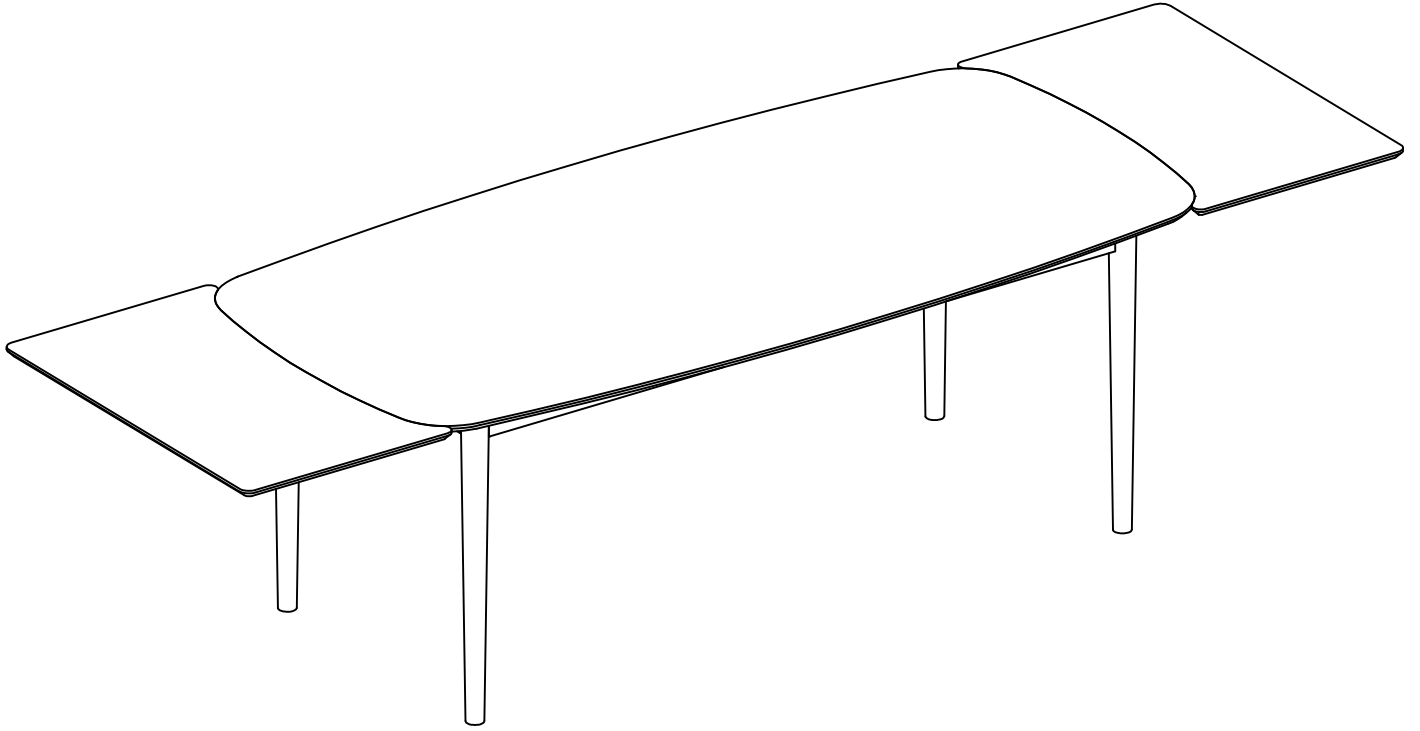


2

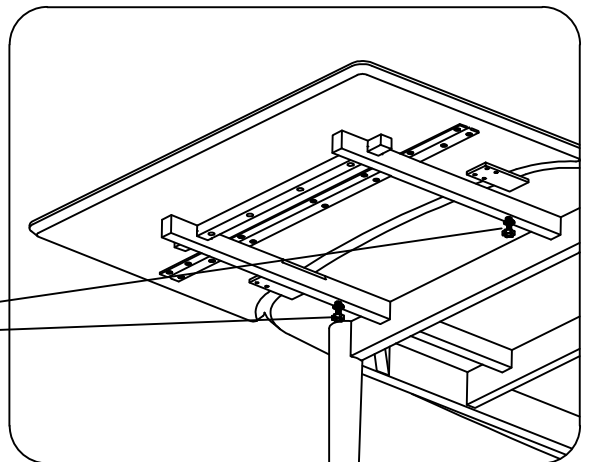
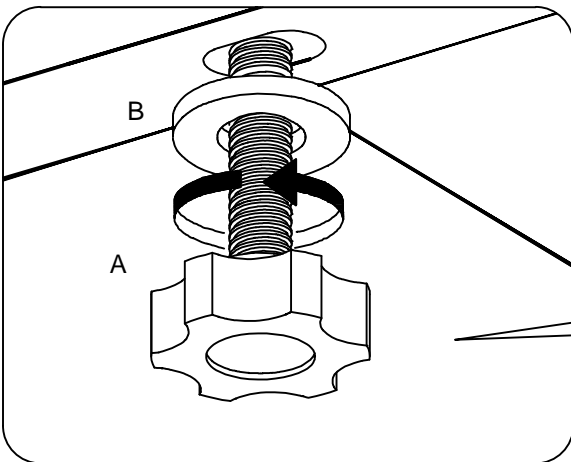
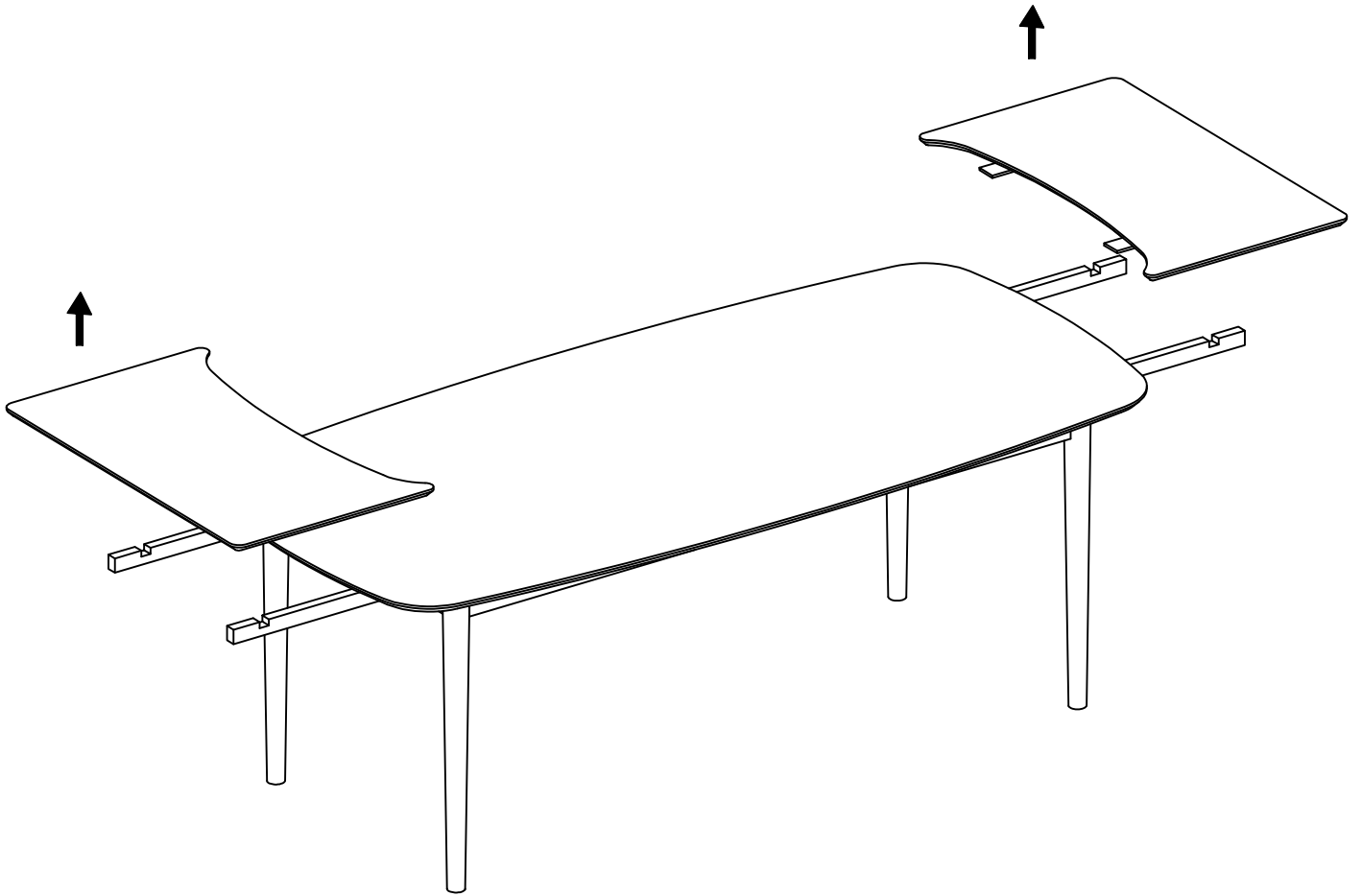


3

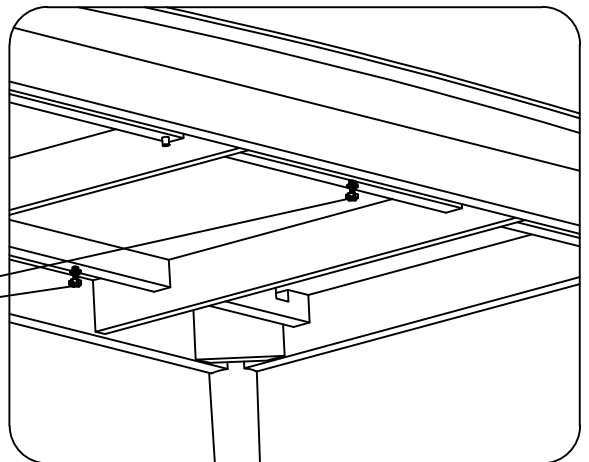
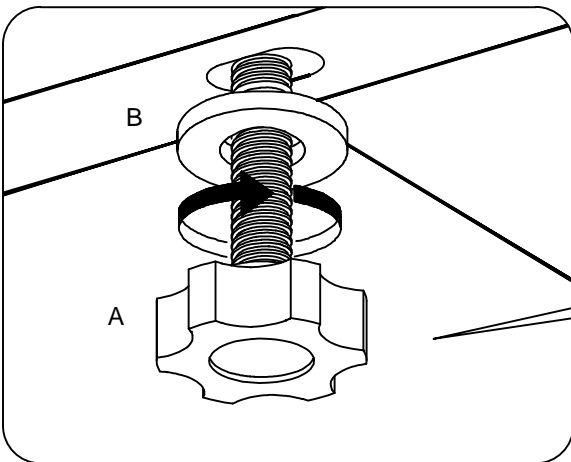
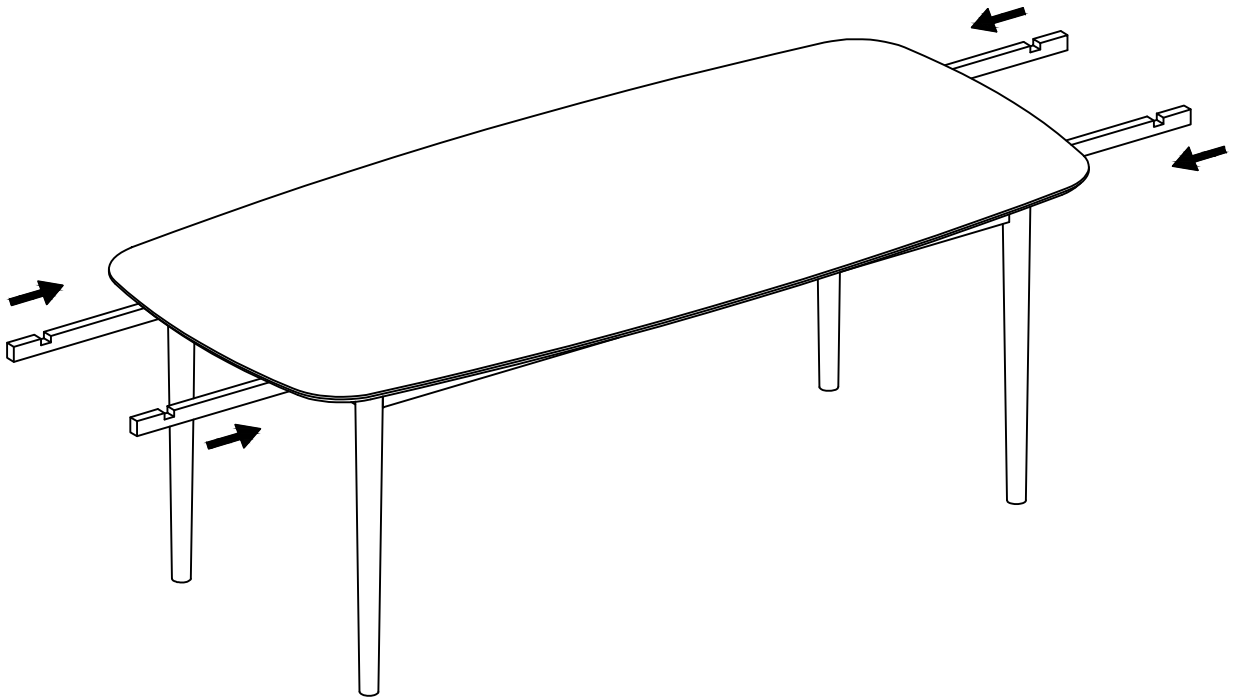
A x4  M6x46mm	B x4  φ6/φ16
--	---



4



5



6

