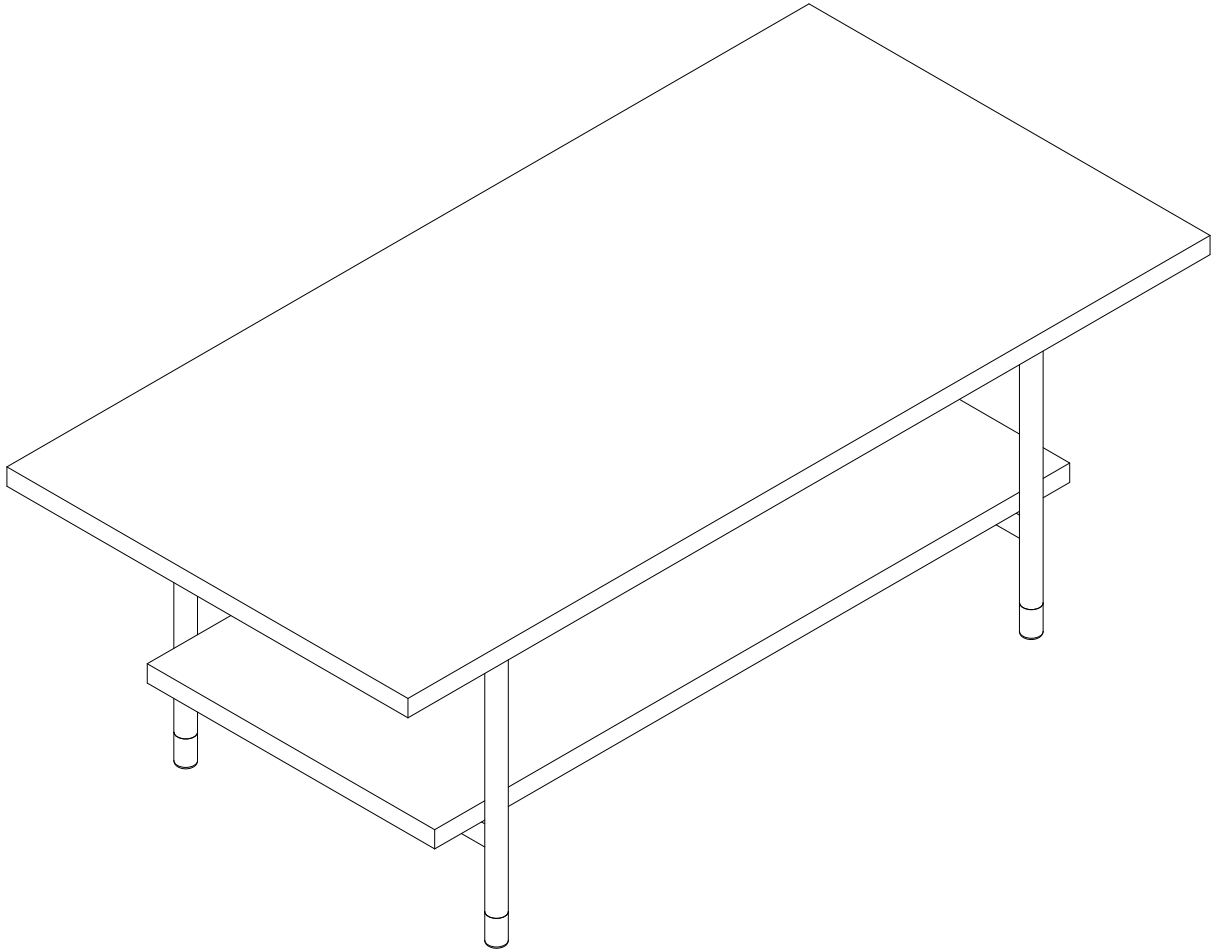


Assembly Instruction



1200 x 600 x 450 (W x L x H, mm)

Batch code:



Woodman OÜ

Made in Estonia

Mäo, Järvamaa

www.woodman.ee

support@woodman.ee

Dear Customer !

Congatulations on your bew purchase. Follow this advice and get the best result when assembling the product.

Read the instruction carefully before you start

Get help, if two or more persons are required for assembly

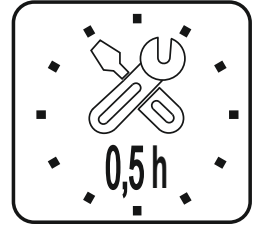
Make sure you have all parts on the total material list

Work on a soft, flat surface to avoid any damage to the finish

Follow the assembly instruction

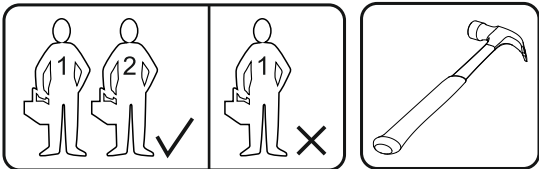
Tighten the furniture joints after a month

Keep the assembly instruction

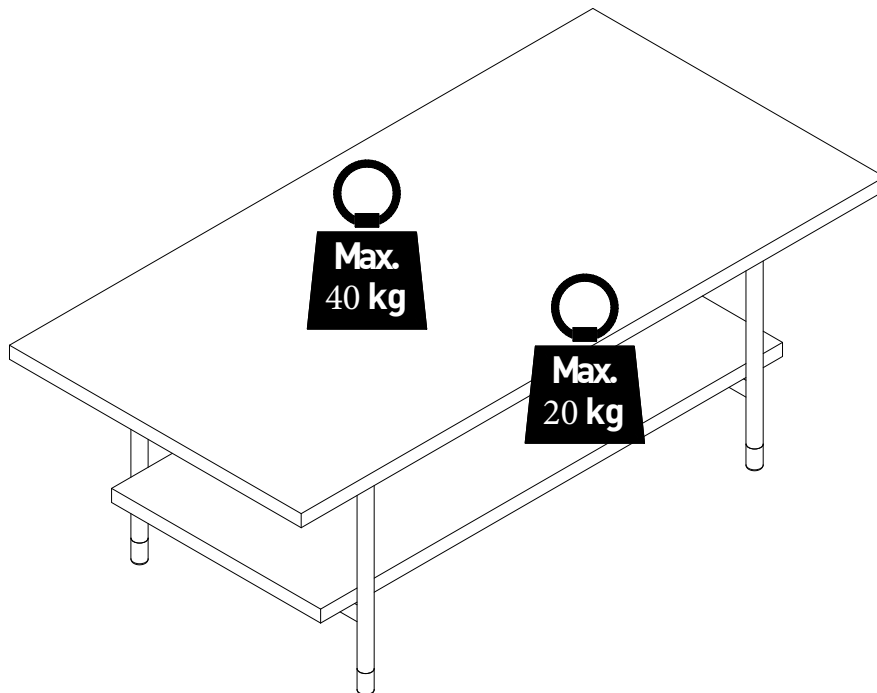


Tools needed

Do not use !!!



Maximum weight limit



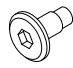

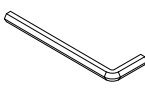
ENG - In case of any quality issues contact your local dealer and always mention item reference No.

FR - En cas de problemes de qualite contactez votre revendeur local et mentionnez toujours la reference de l'article.

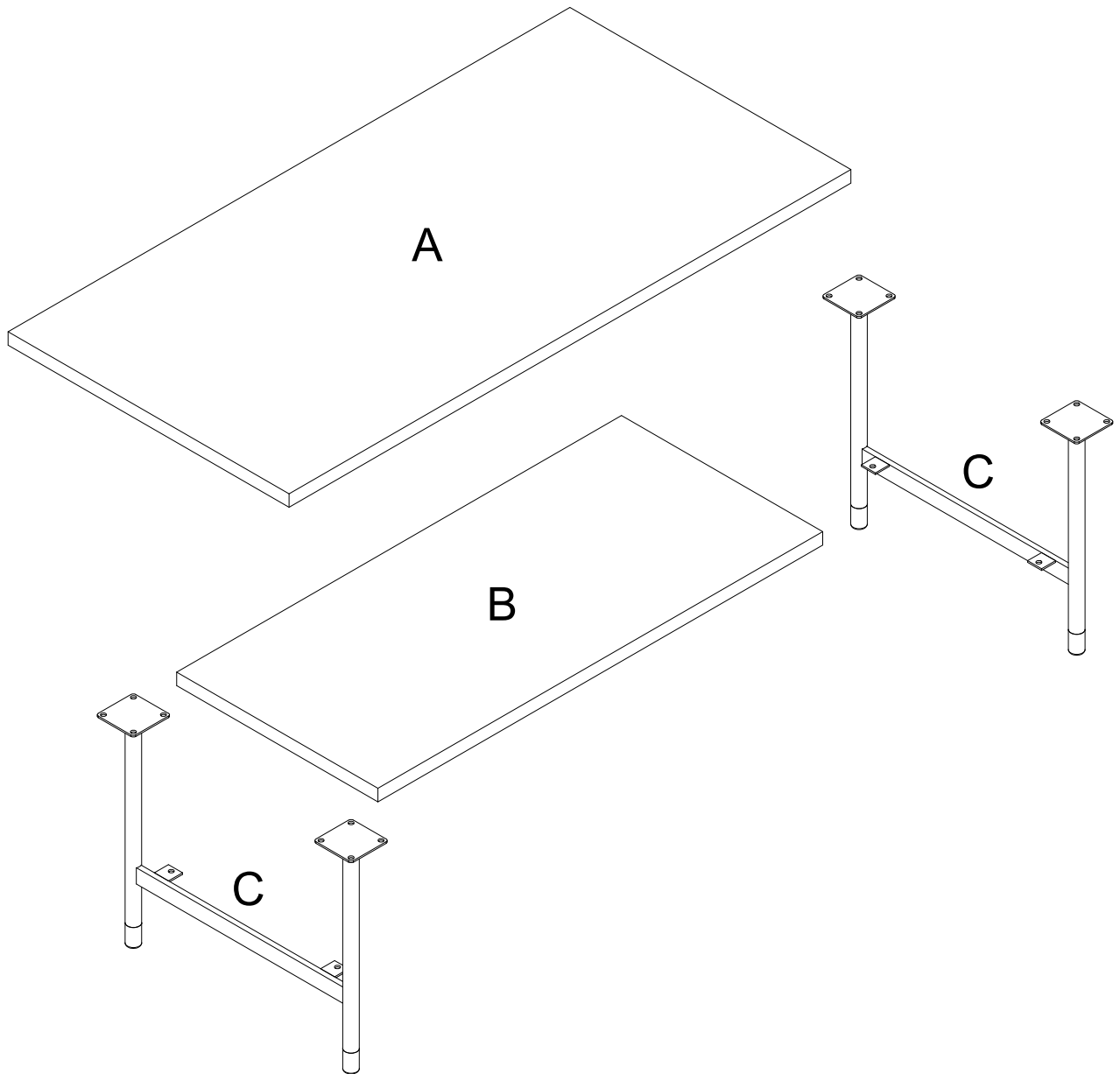
IT - In caso di eventuali problemi di qualitata contattare il rivenditore locale e citare sempre punto di riferimento No.



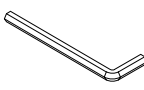
ES - En caso de problemas de calidad pongase en contacto con se distribuidor local y mencione siempre la referencia del articulo.

DE - Wenn Sie Qualitätsprobleme haben wenden Sie sich bitte an ihren örtlichen Händler und erwähnen Sie immer die Artikelnummer.

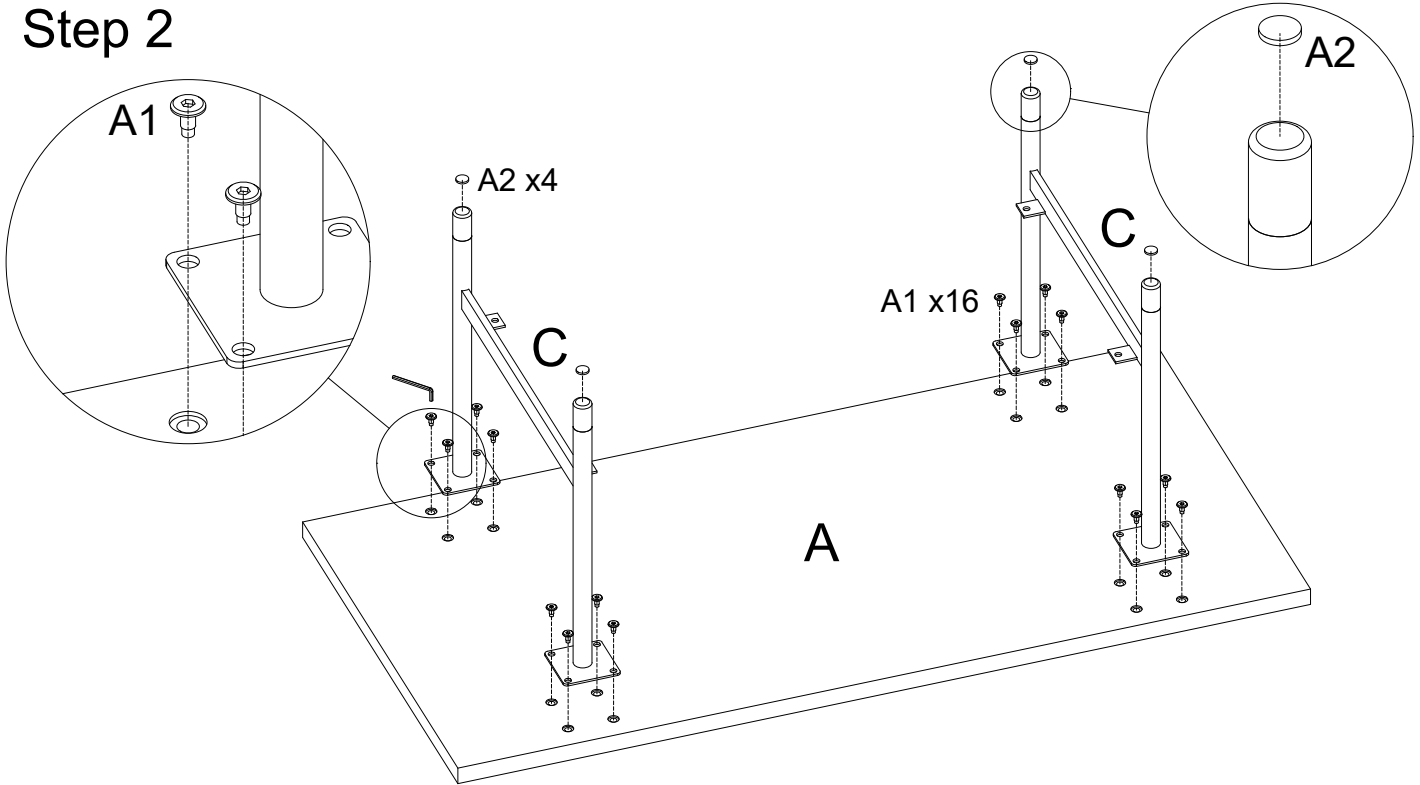
A1	 x20 M6x16	A2  x4 Ø17x3	A3  x1 4mm		
----	---	--	---	--	--


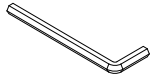
Step 1



A1	 x16 M6x16	A2	 x4 Ø17x3	A3	 x1 4mm		
----	---	----	--	----	---	--	--

Step 2



A1	 x4 M6x16	A3	 x1 4mm				
----	--	----	--	--	--	--	--

Step 3

