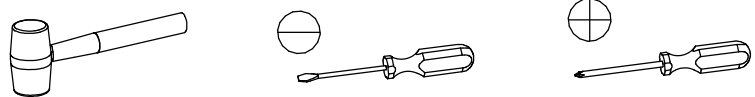


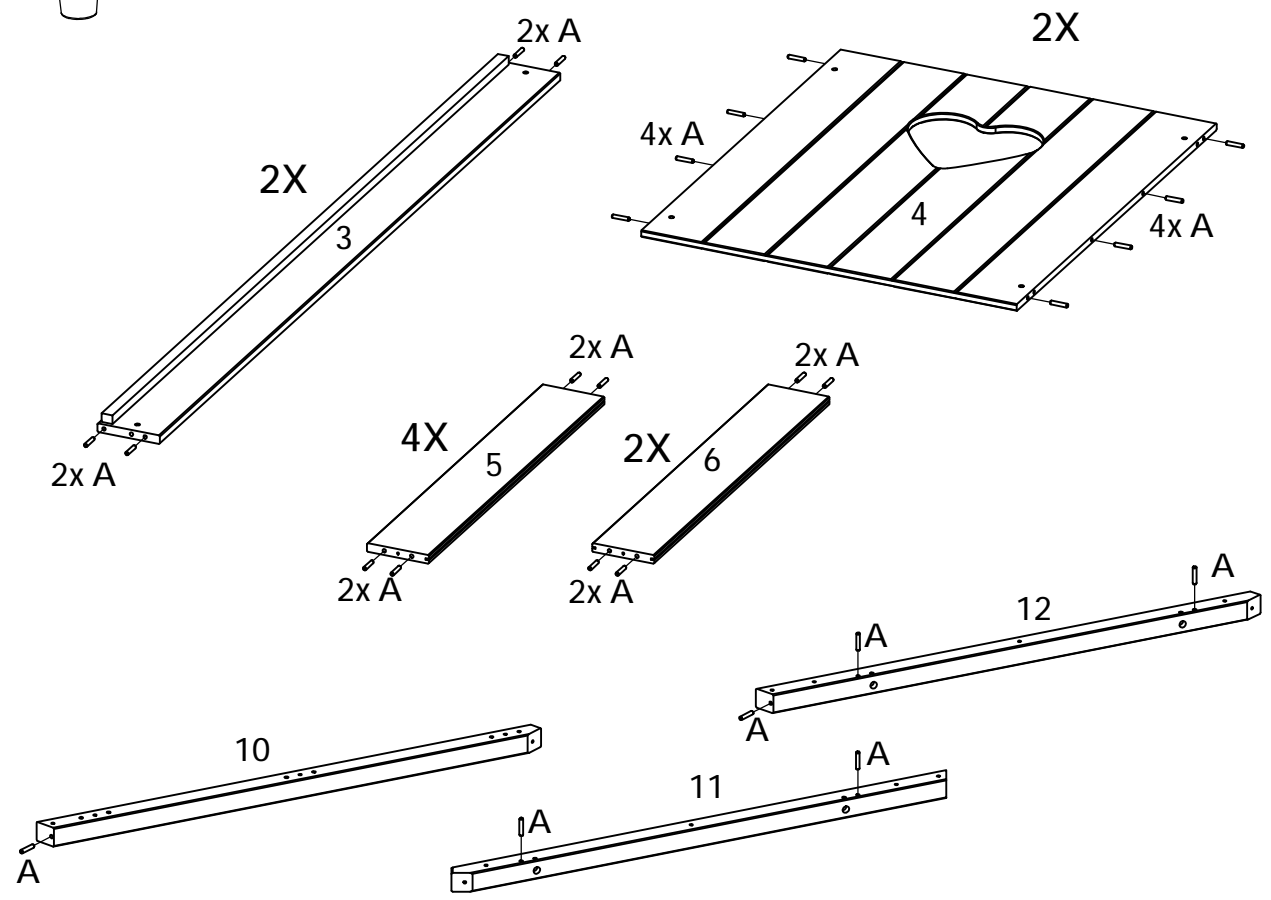
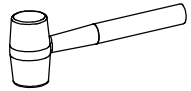
Tools needed (not supplied)



A		8x40	55
B		M6x80	12
C		M6x10x13	12
D		M10x12	4
E		D15x19	4
F		D9,8x37x60	4
G		7x70	16
H		15x12	4
J		6,1x24x35	4

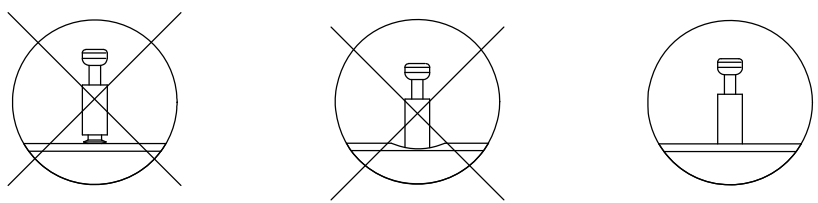
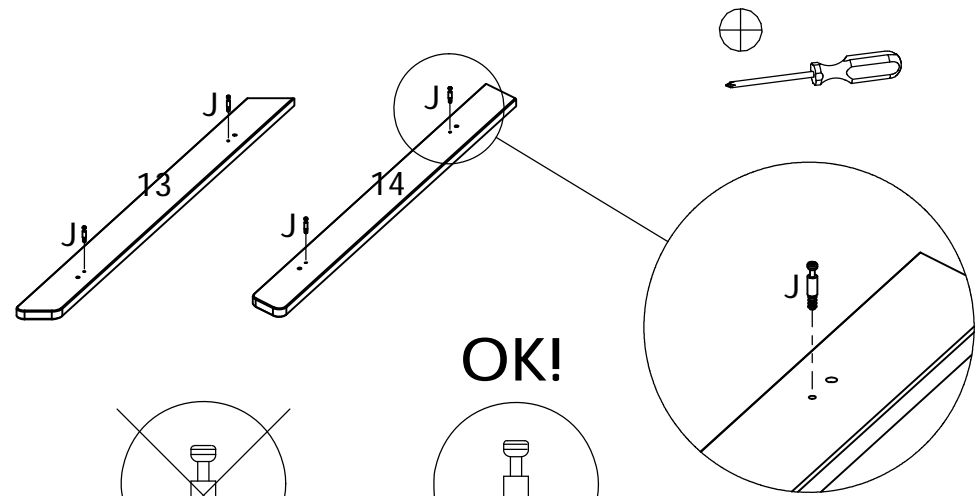
K		3,5x40	6
L		D38x3	4
M		D4x13	8
N		D15x18	12
P		D20	14
Q		7x60	1
R		D14x13,5	2
S		M8x8	2
T		4mm	1

1



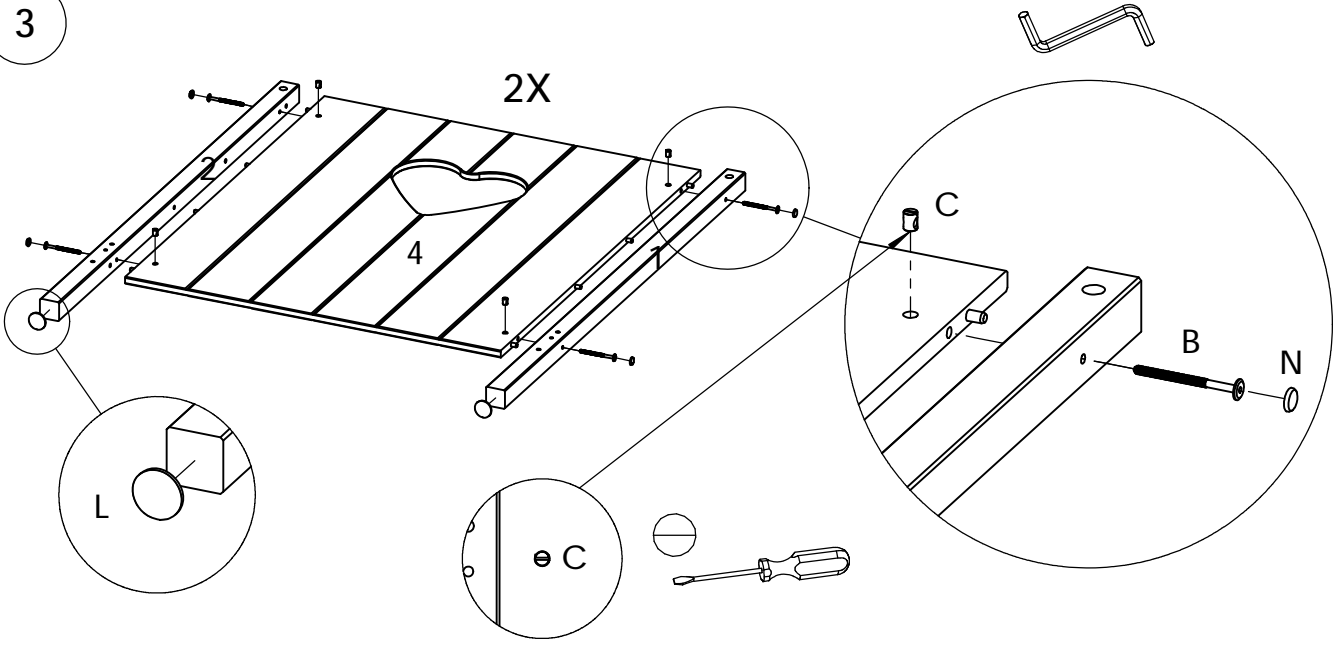
A		8x40	54
---	--	------	----



2



J		6,1x24x35	4
---	--	-----------	---

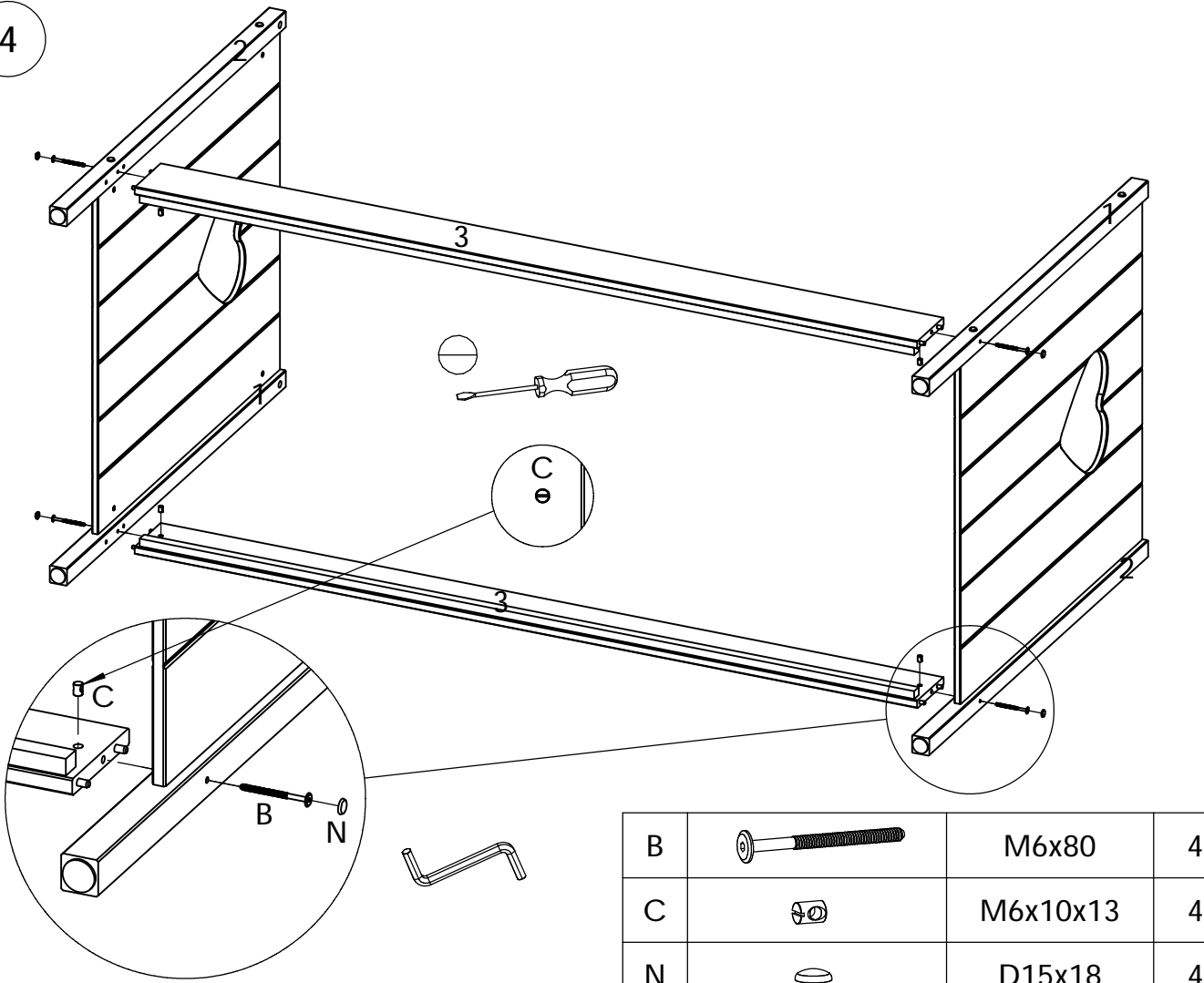
3






B		M6x80	8
C		M6x10x13	8

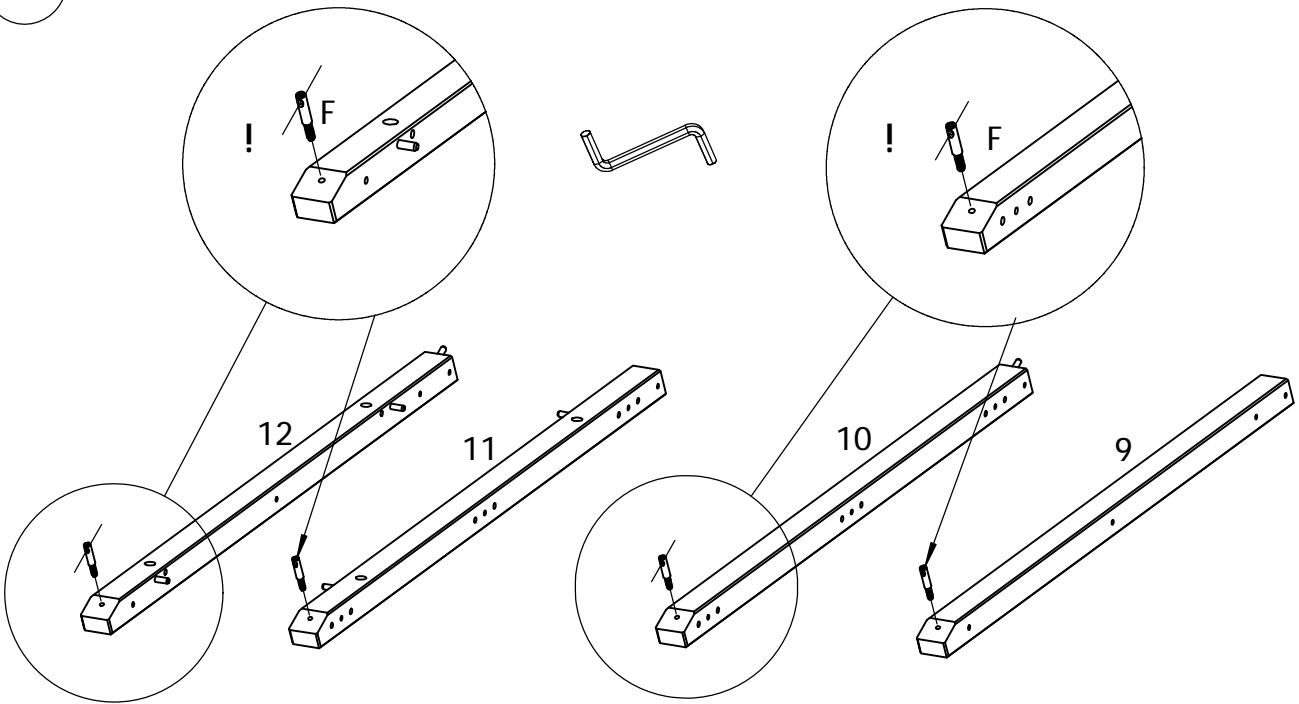
L		D38x3	4
N		D15x18	8


4



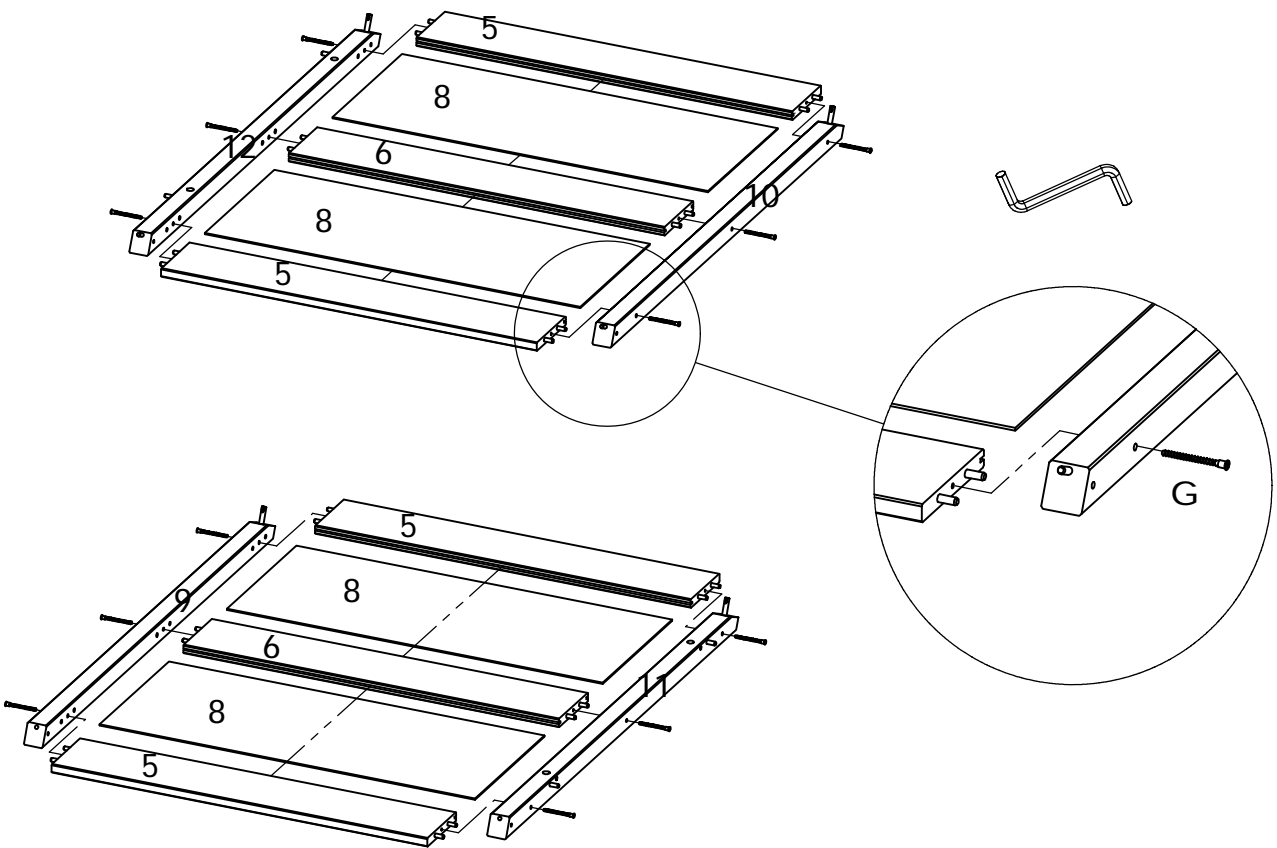
B		M6x80	4
C		M6x10x13	4
N		D15x18	4

5



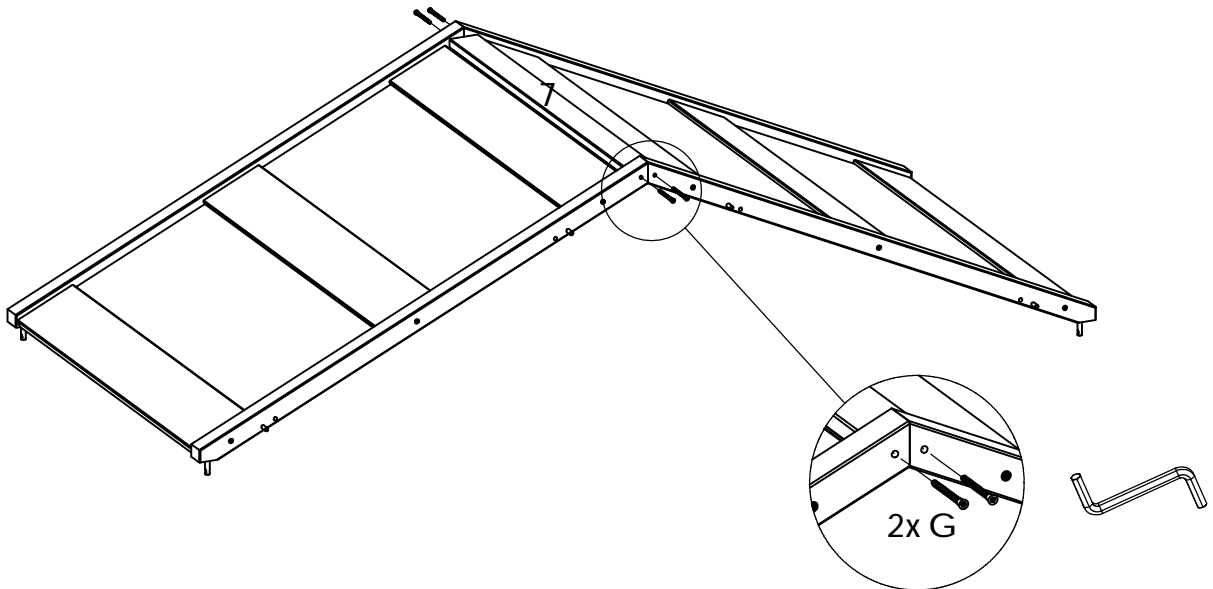
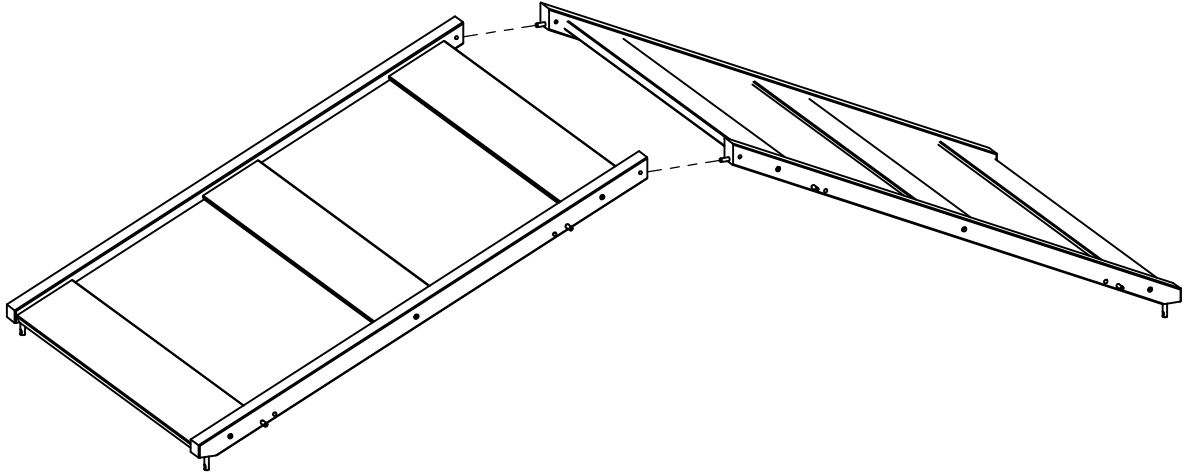
F		D9,8x37x60	4
---	---	------------	---

6



G		7x70	12
---	--	------	----

7



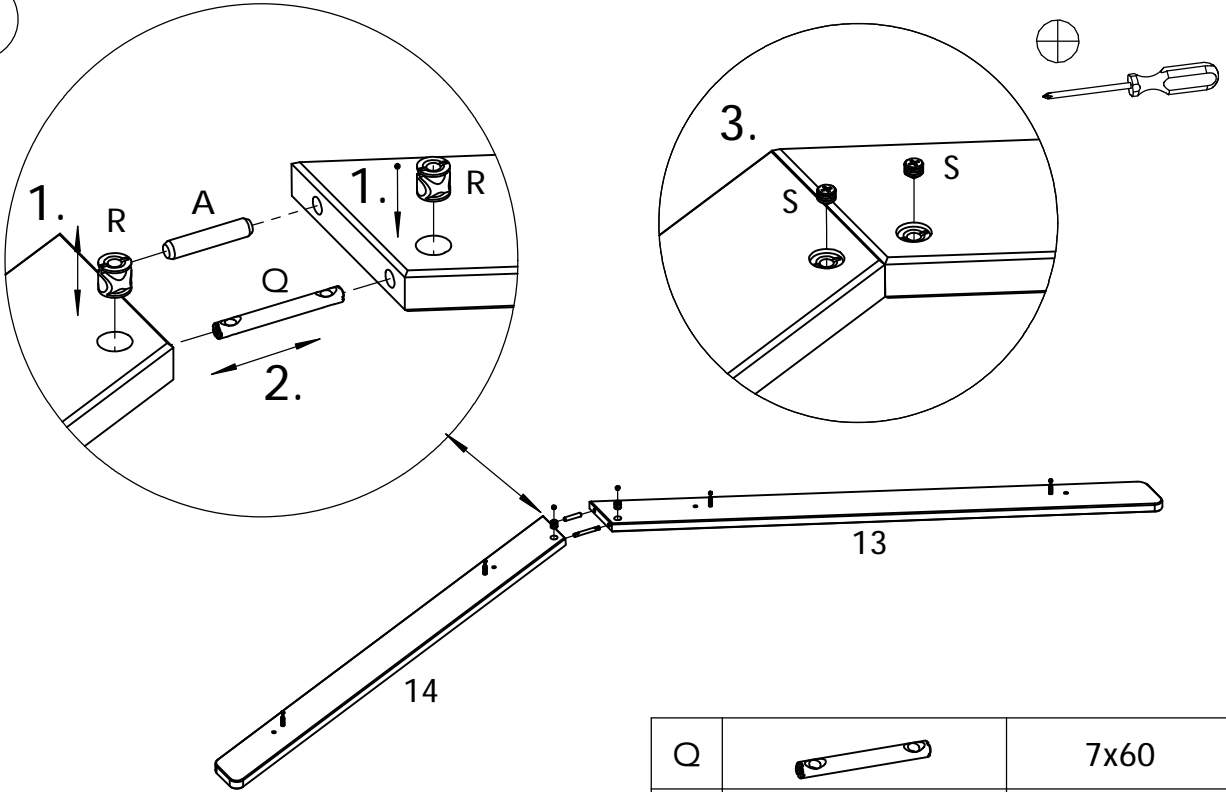
G







7x70

4

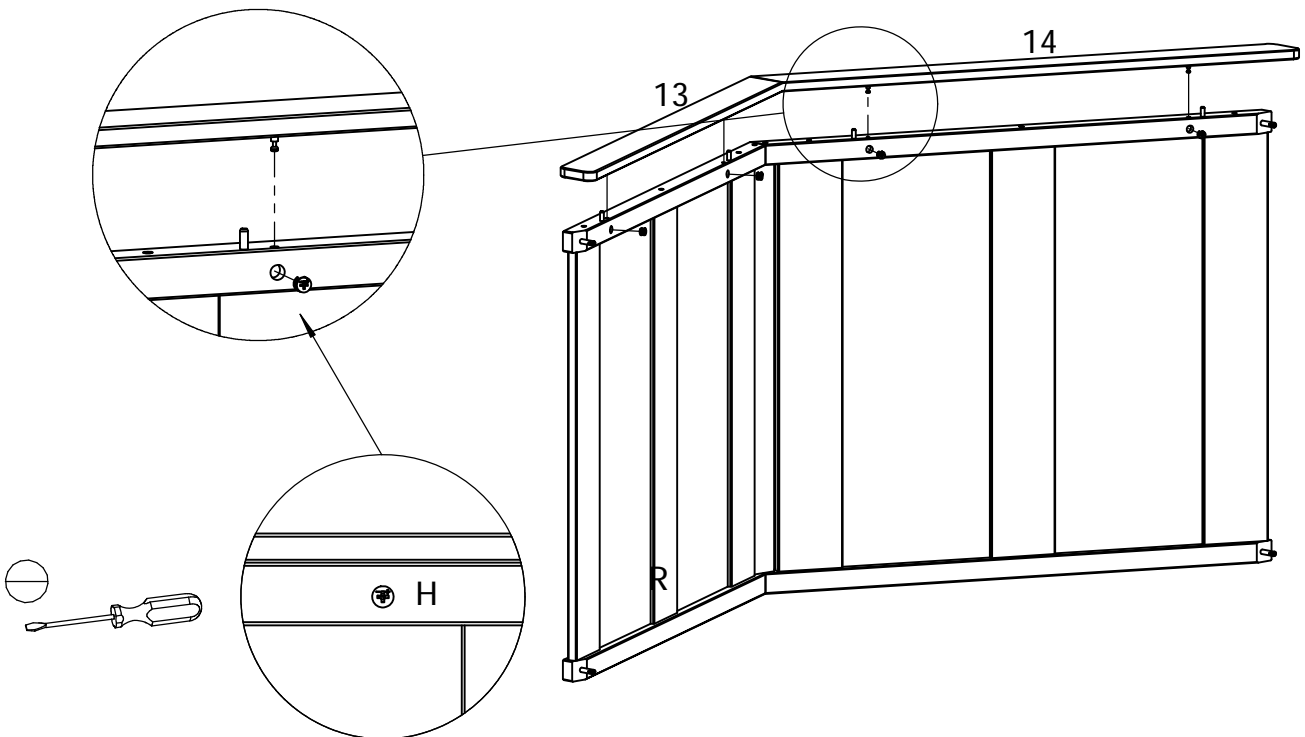
8



Q		7x60	1
R		D14x13,5	2
S		M8x8	2

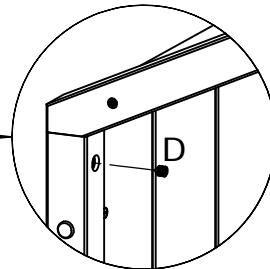
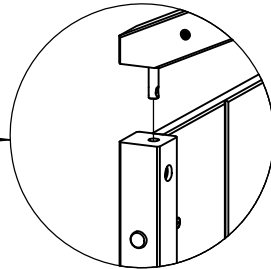
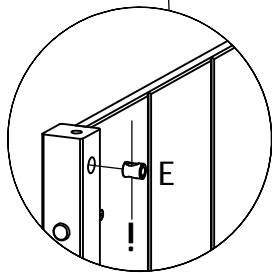
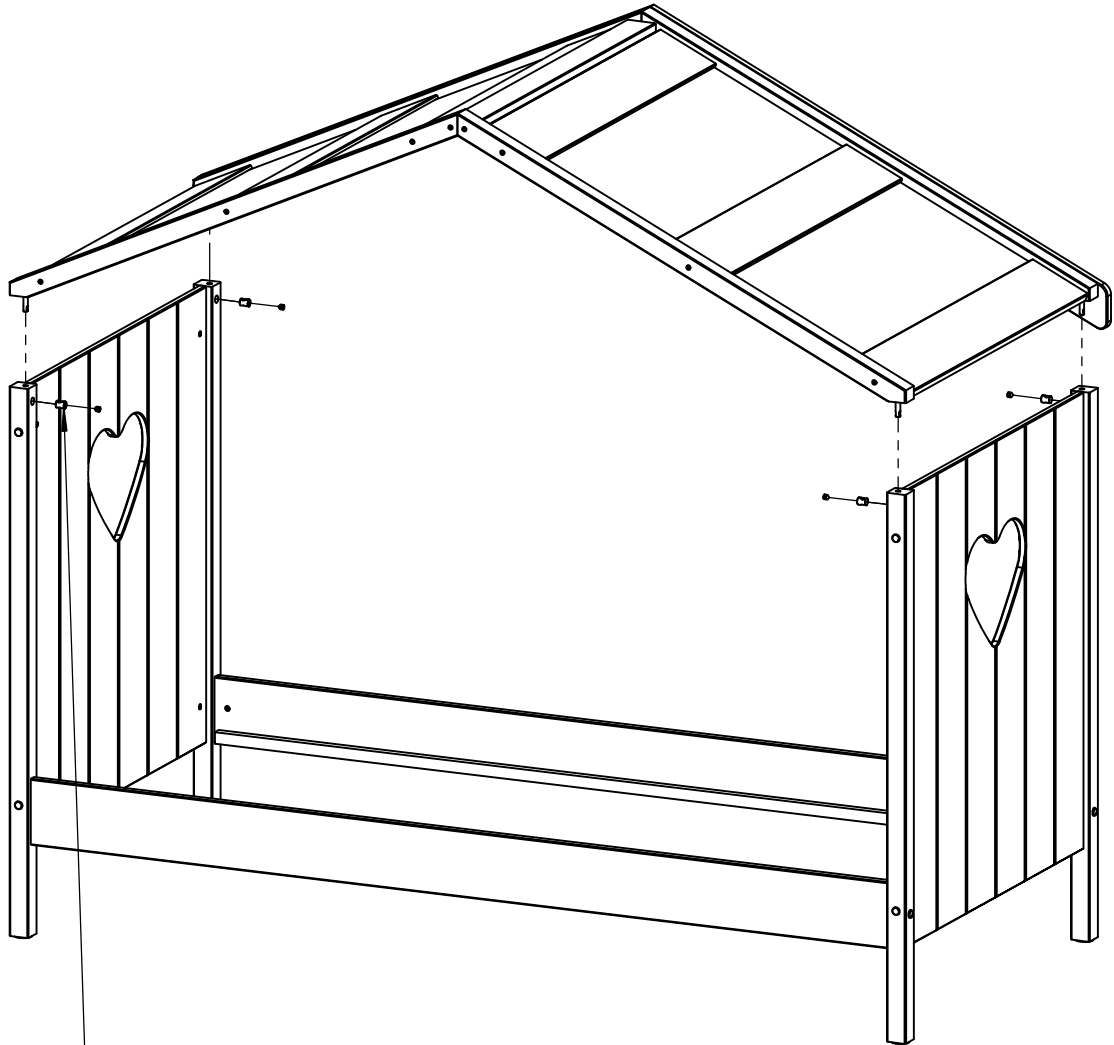
A		8x40	1
---	---	------	---



9



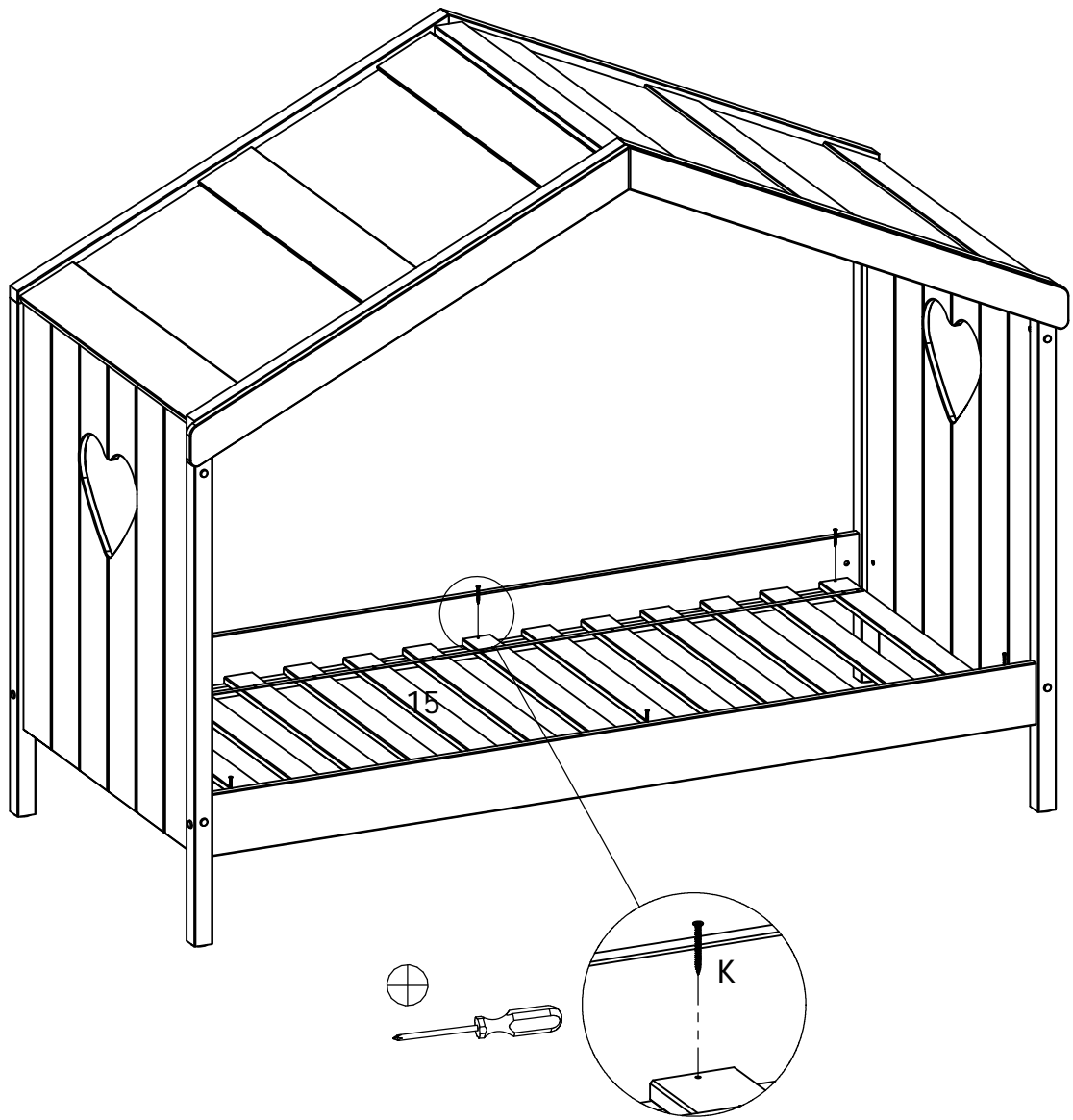
H		15x12	4
---	---	-------	---

10



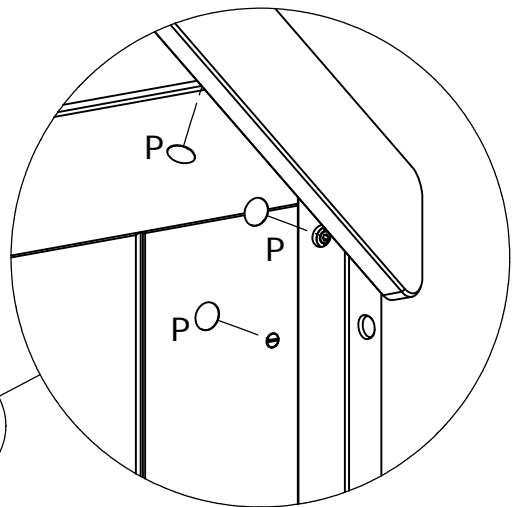
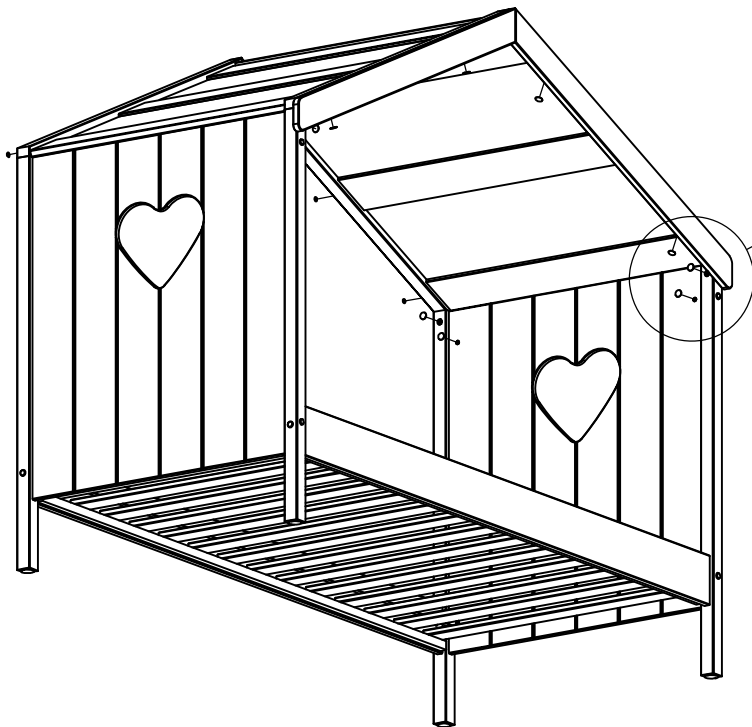
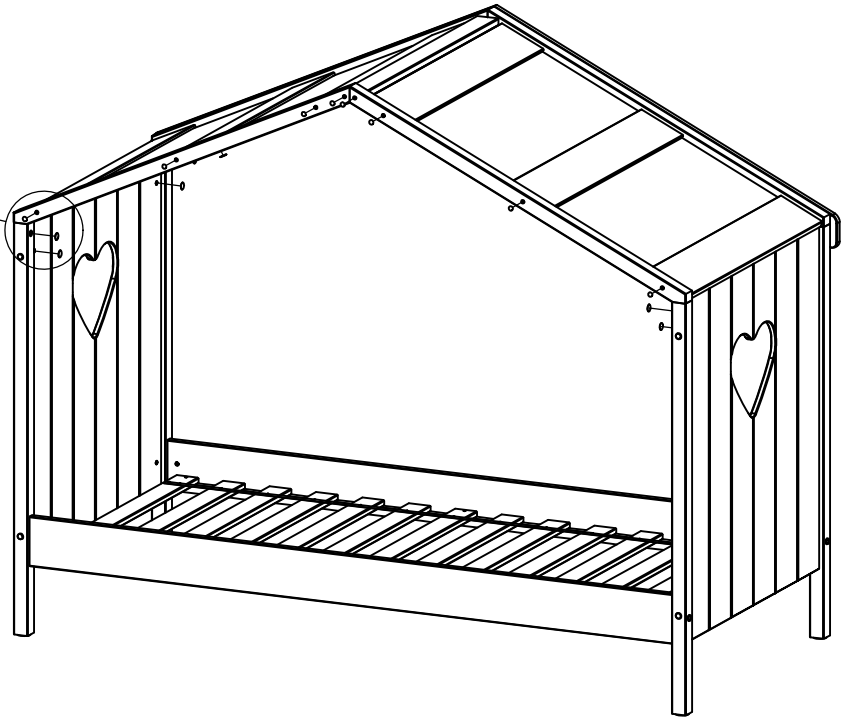
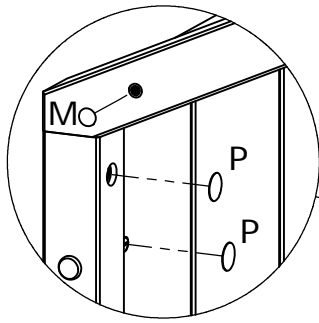
D		D10x12	4
E		D15x19	4

11

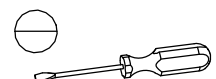
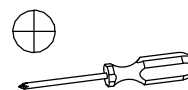
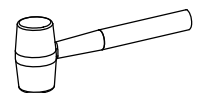
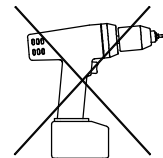
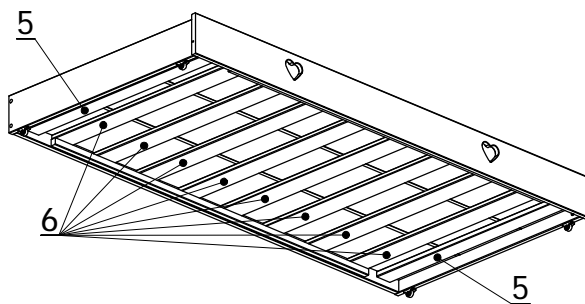
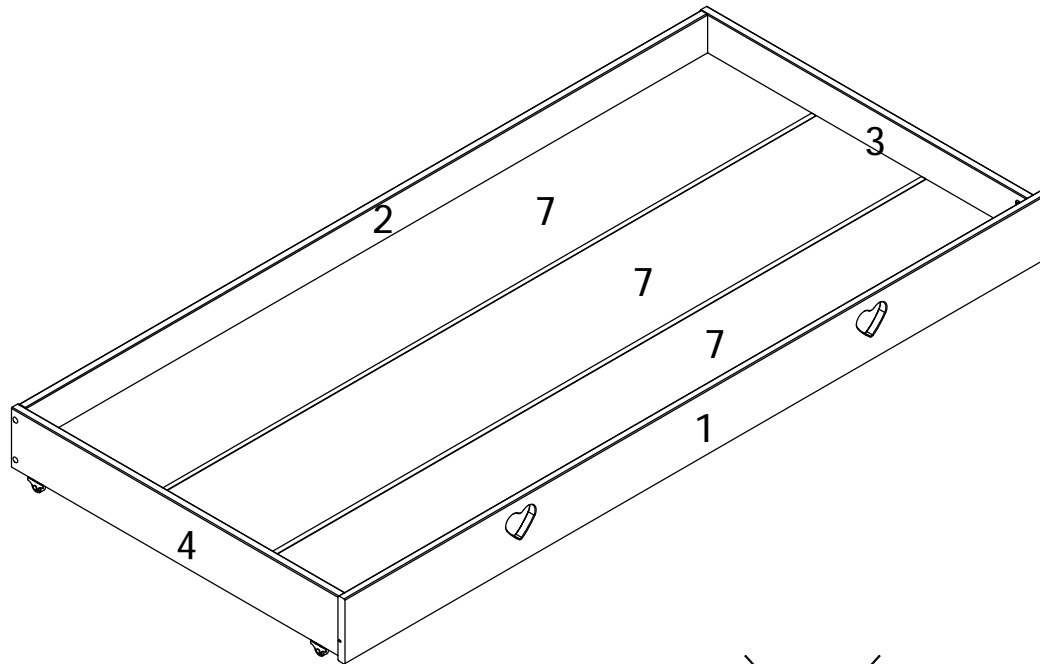
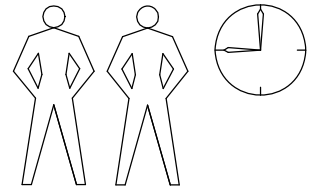


K		3,5x40	6
---	--	--------	---

12



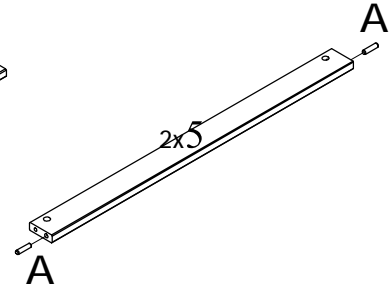
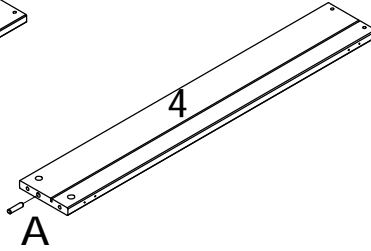
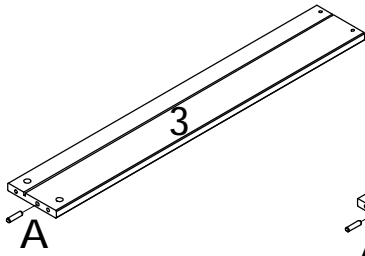
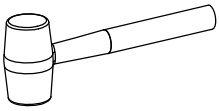
M		D4x13	8
P		D20	14

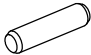


A		10x40	x6
B		7x50	x4
C		7x34	x8
D		15x12	x8
E		3,5x40	x16
F		1897	x2

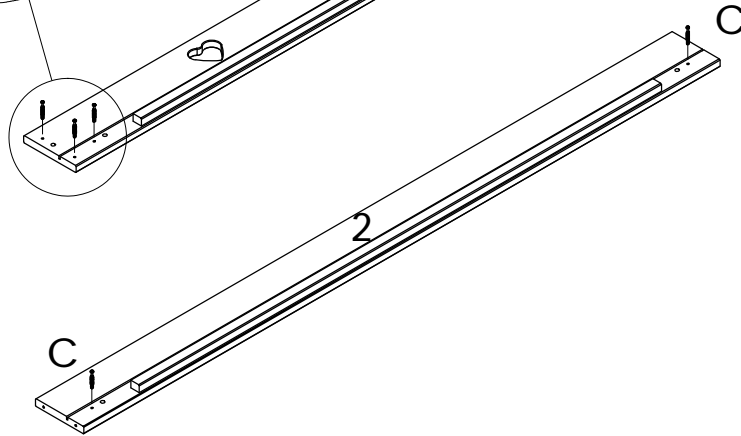
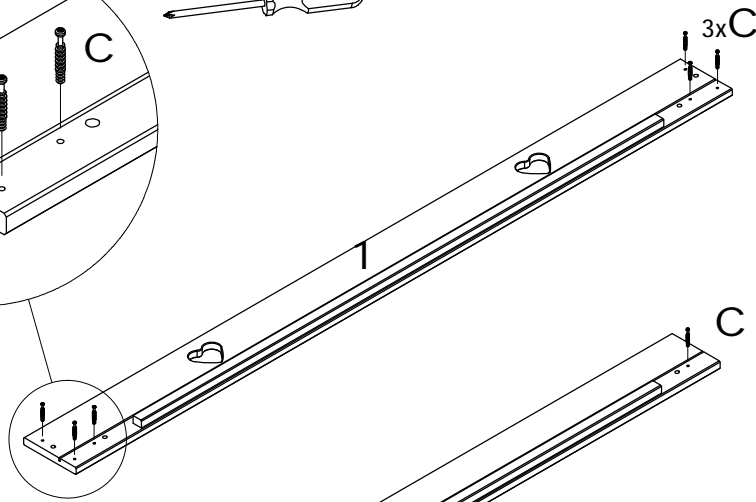
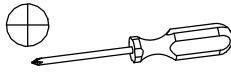
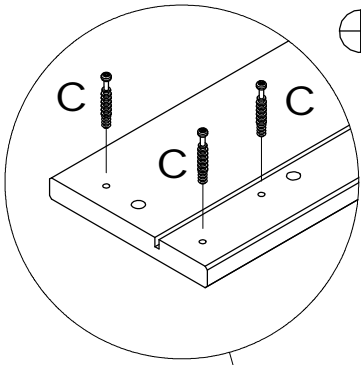
G		D26	x4
H		3,5x16	x8
J		D4x13	x4
K		120x30x6	x2
L		4mm	x1

①



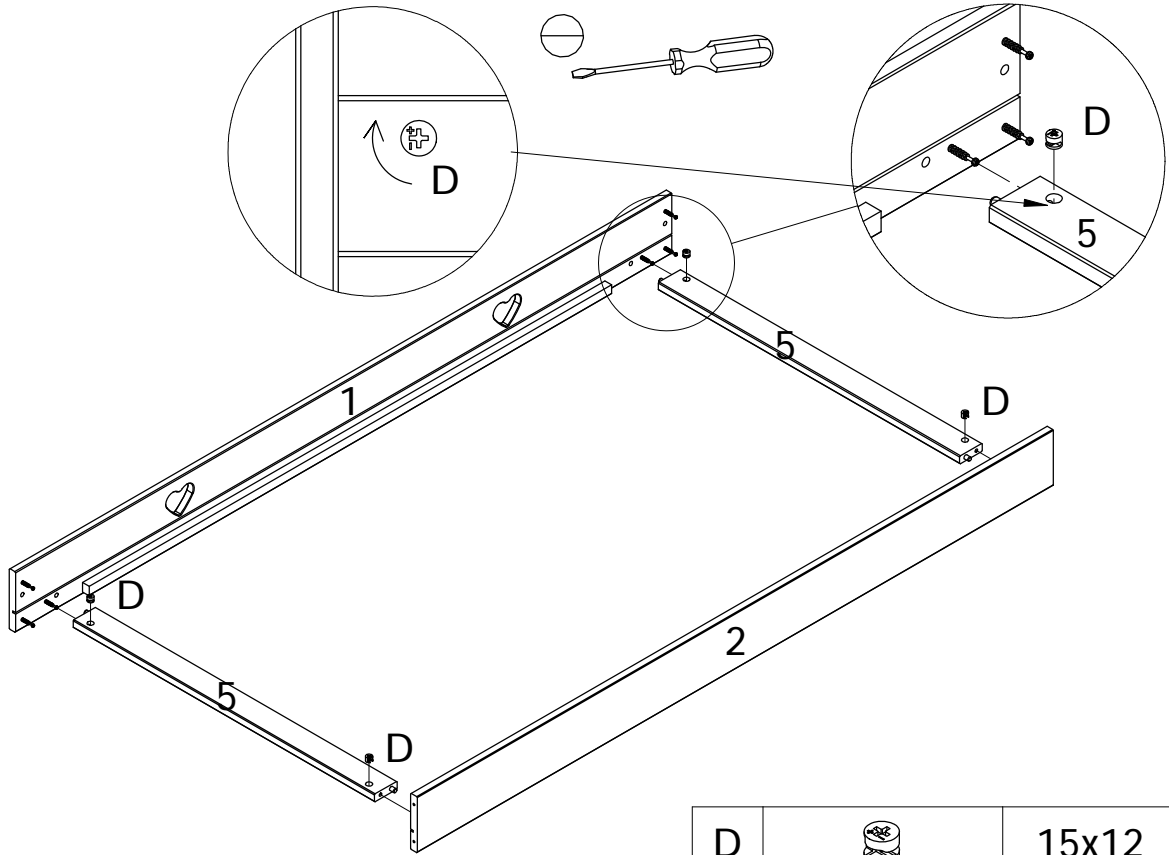
A		10x40	x6
---	---	-------	----

②



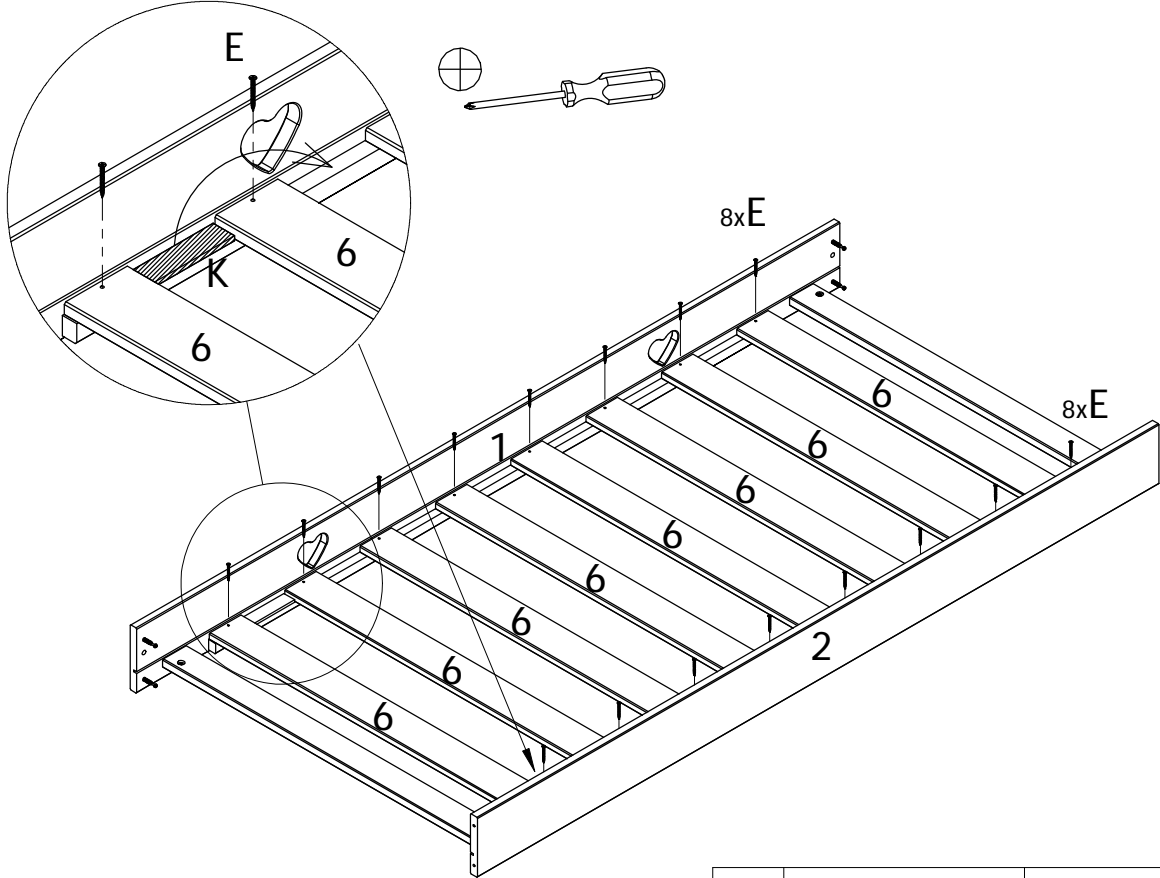
C		7x34	x8
---	---	------	----



3



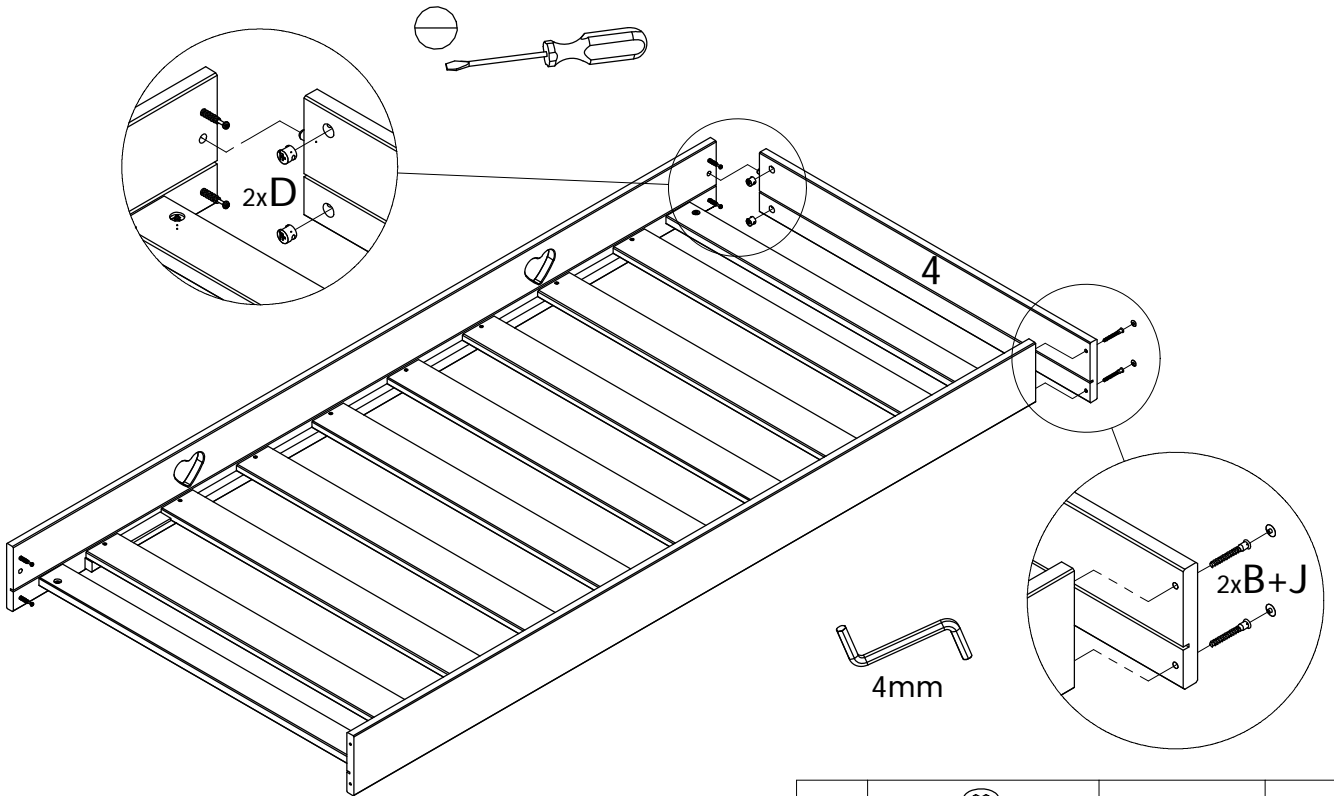
D		15x12	x4
---	---	-------	----




4



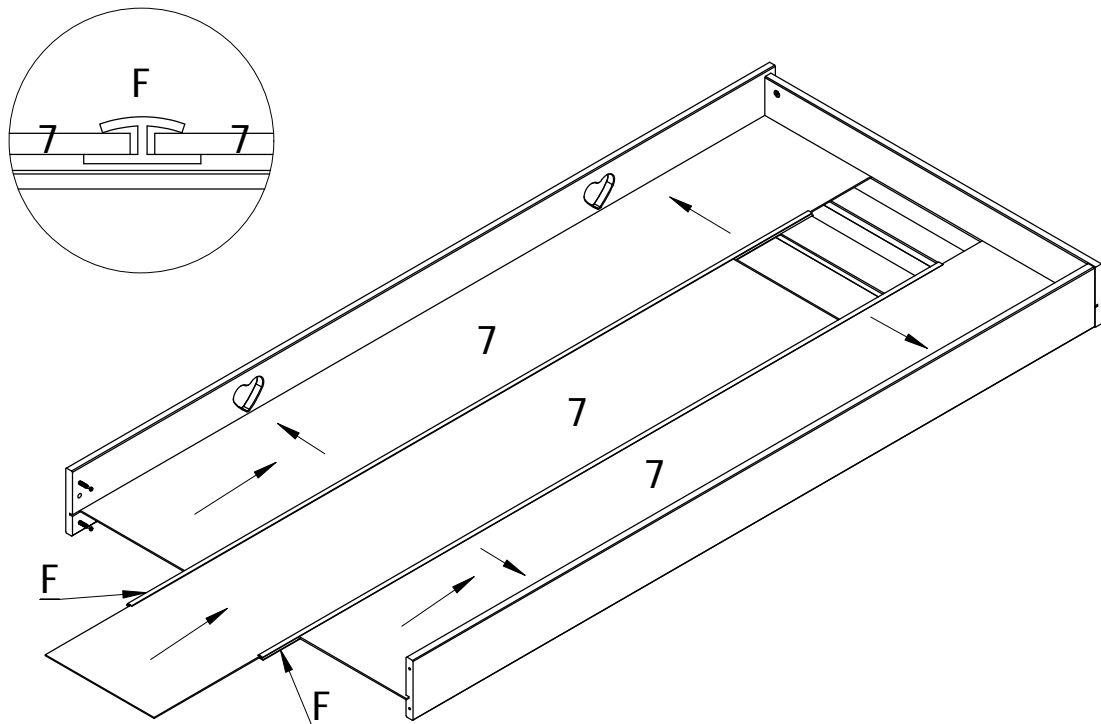
K		120x30x6	x2
E		3,5x40	x16

5

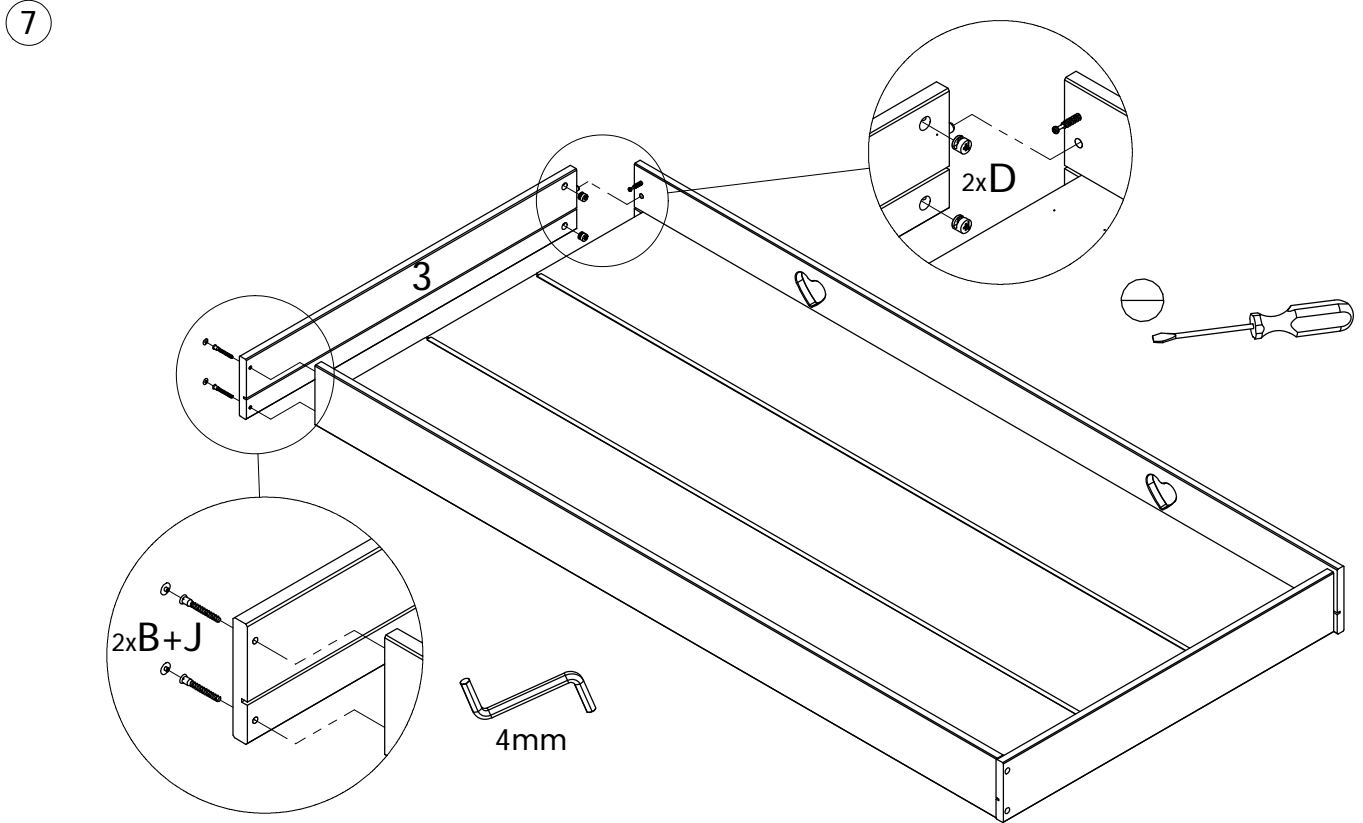





D		15x12	x2
B		7x50	x2
J		D4x13	x2

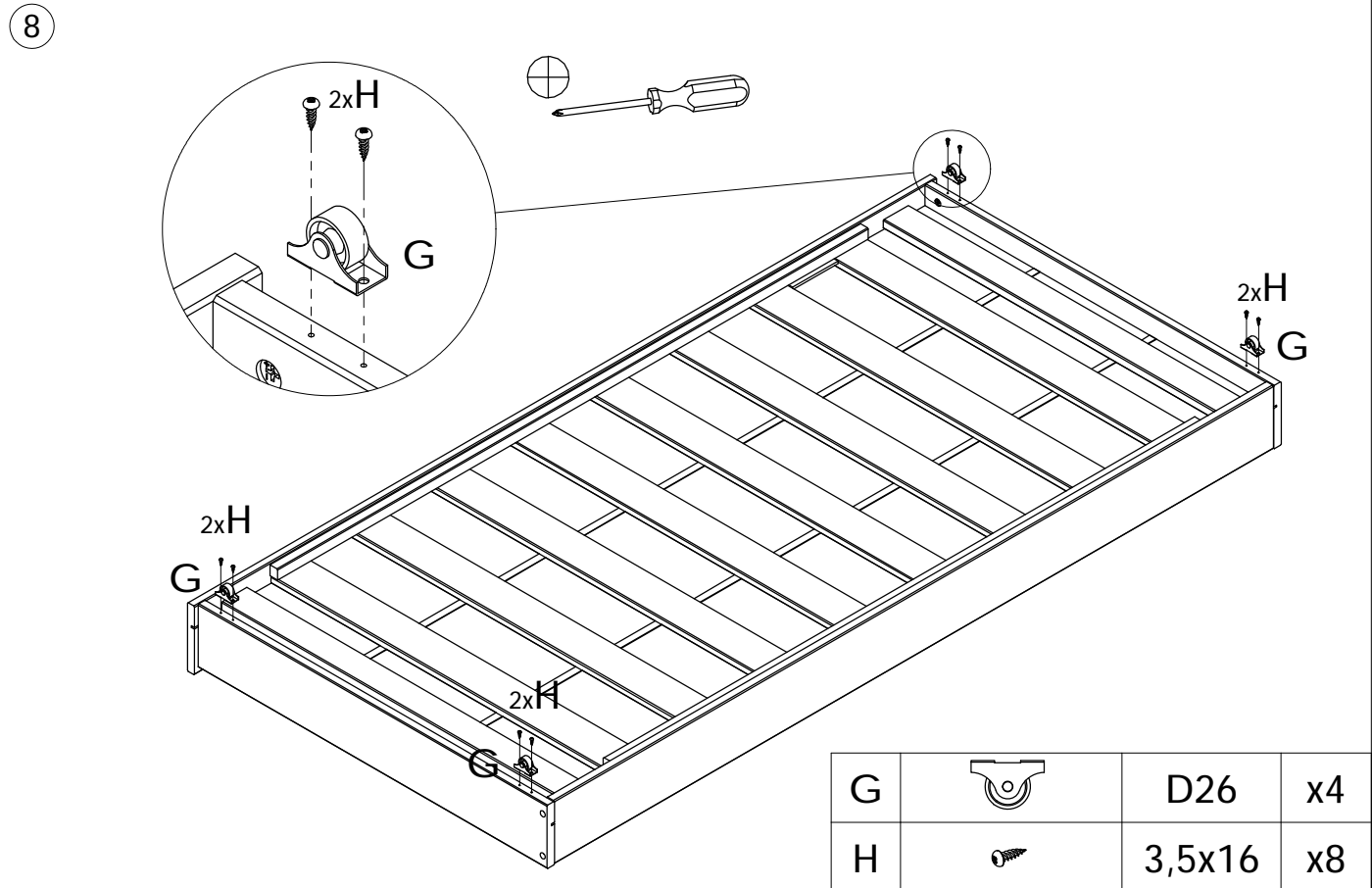
6





F		1897	x2
---	--	------	----



D		15x12	x2
B		7x50	x2
J		D4x13	x2



G		D26	x4
H		3,5x16	x8