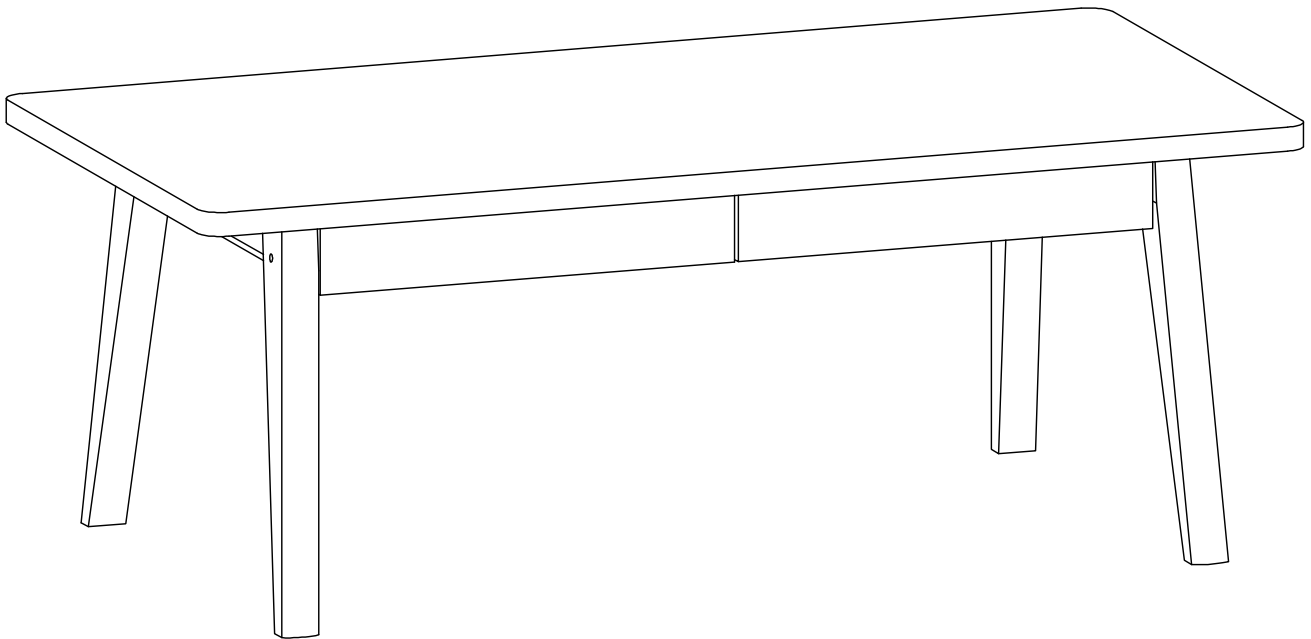


Assembly Instruction

Nice Coffee Table








1200 x 600 x 450

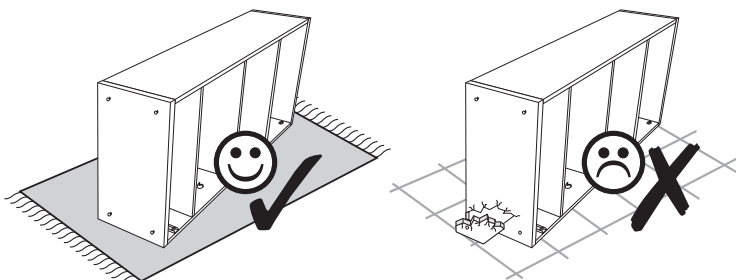
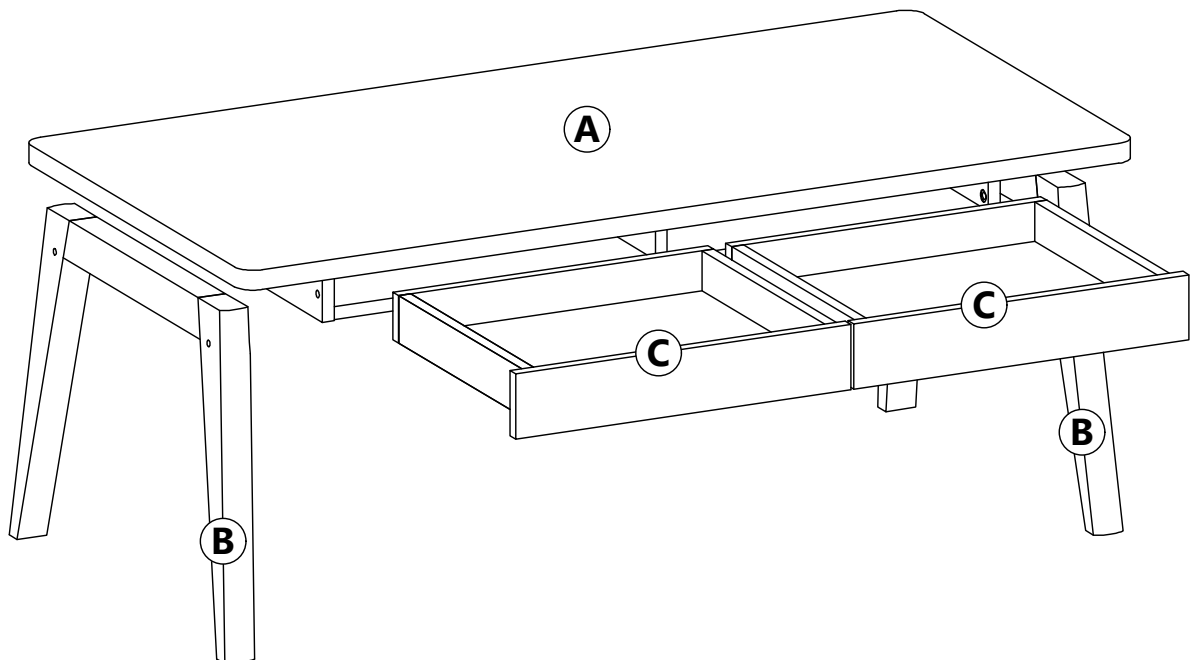


Woodman OÜ

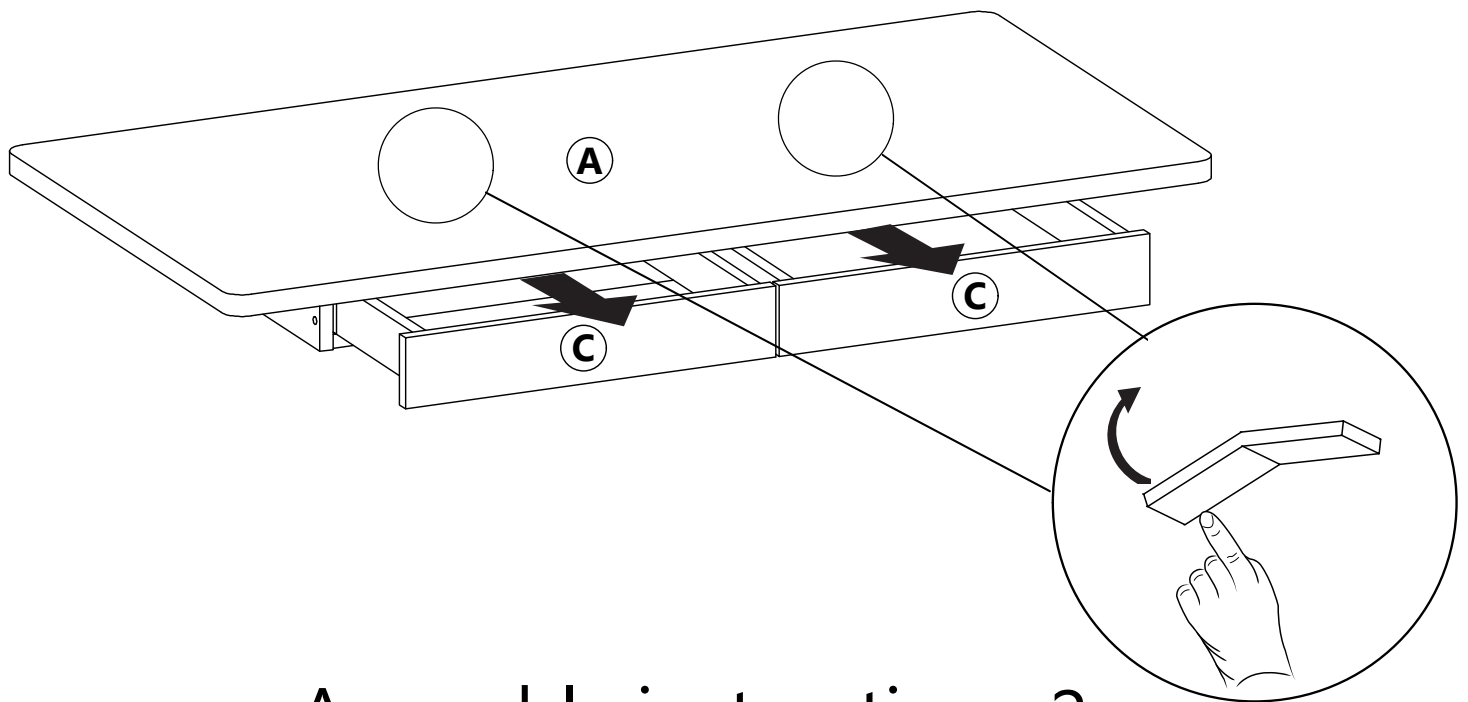
Made in Estonia
Mäo, Järvamaa
www.woodman.ee
support@woodman.ee

Total material list, hardware

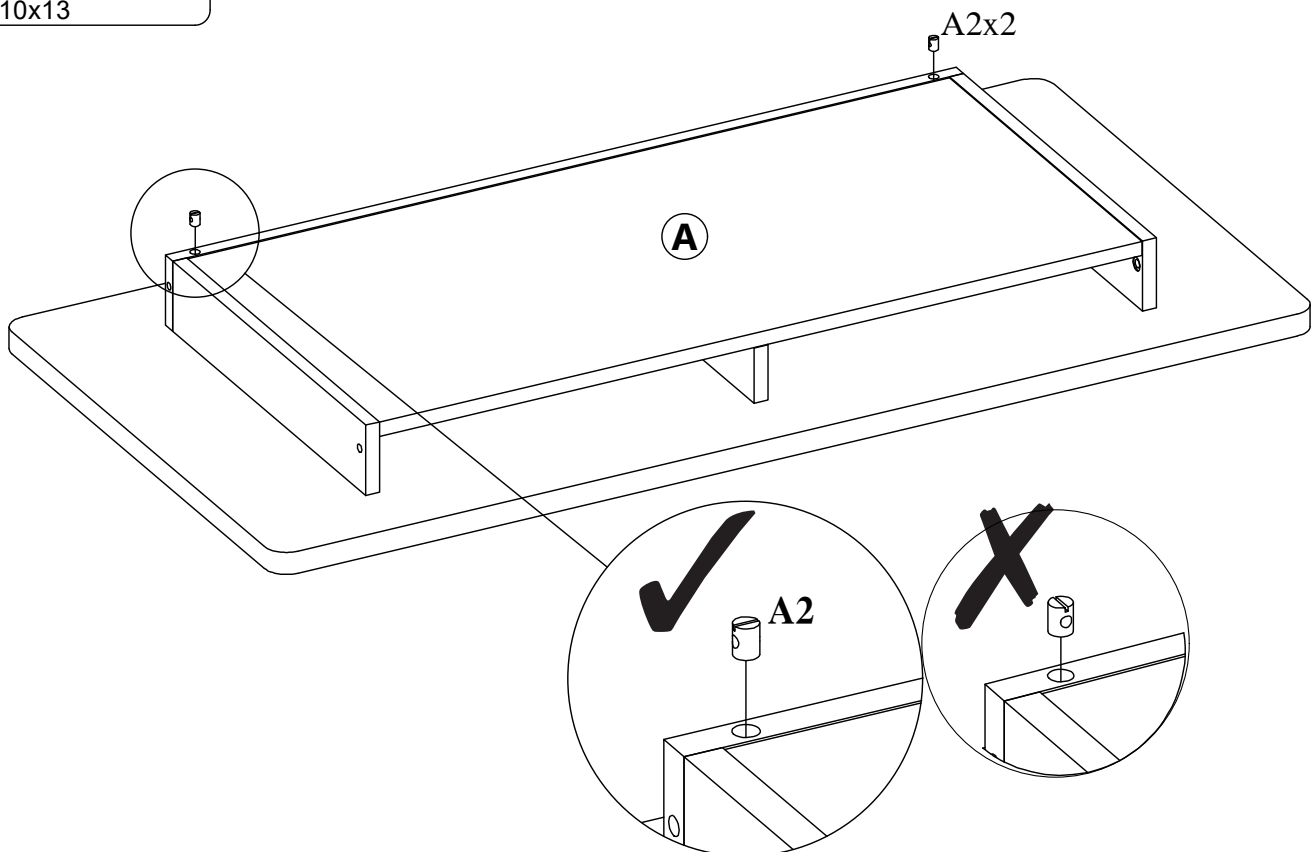
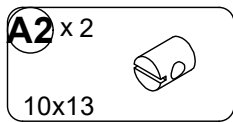
A1 x 2 M6x65 	A2 x 2 10x13 	A3 x 2 M6x45 	A4 x 4 28/3 	A5 x 1 4mm 
---	---	---	--	---



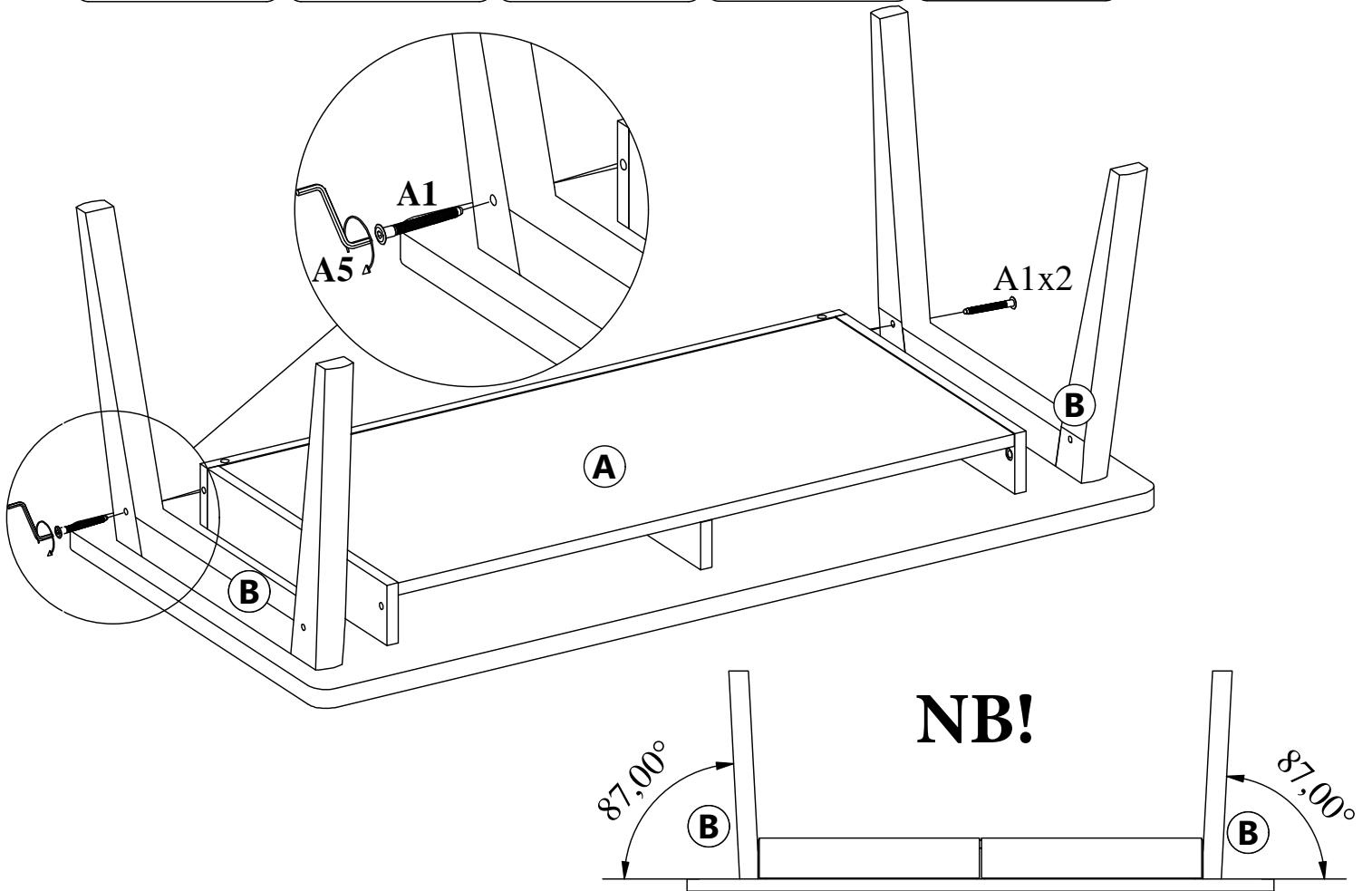
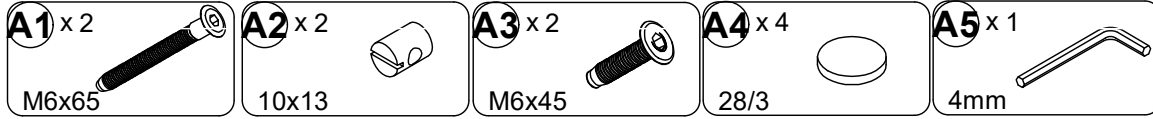
Assembly instructions, 1



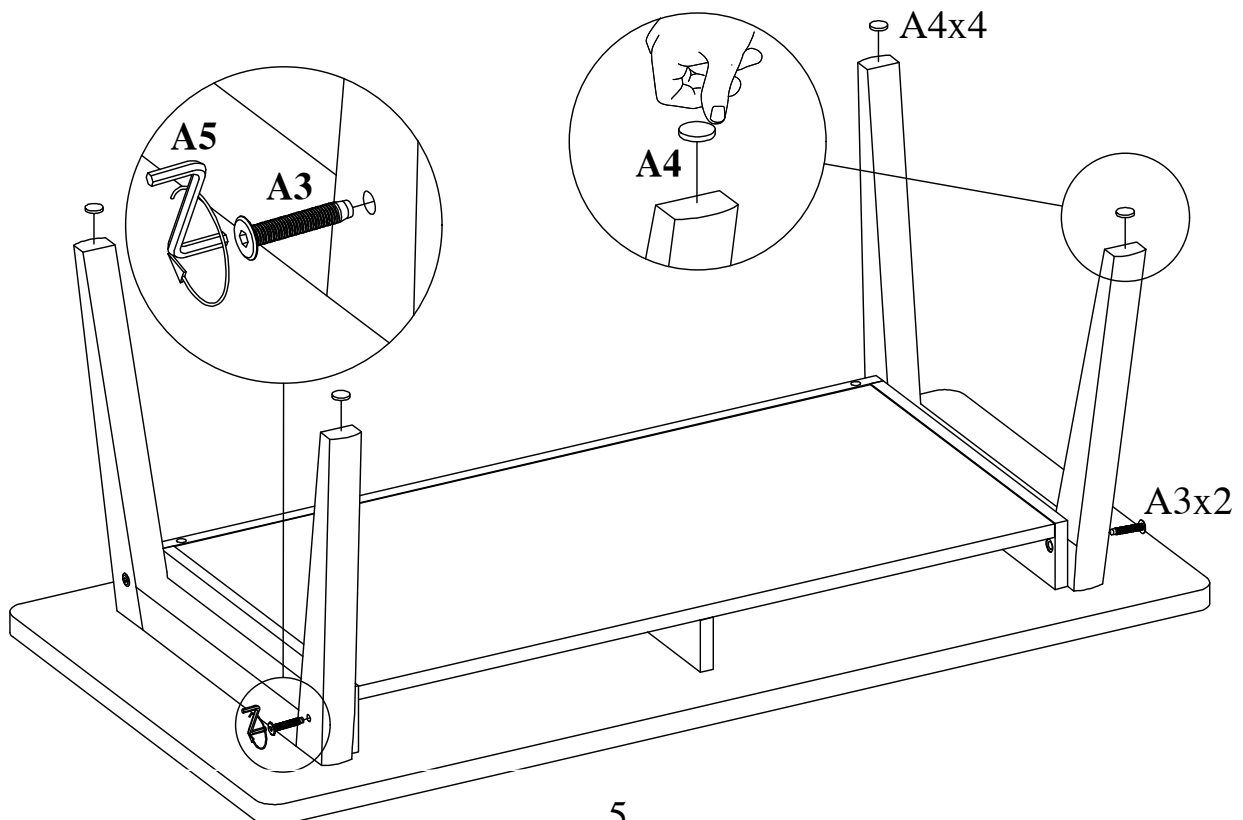
Assembly instructions, 2



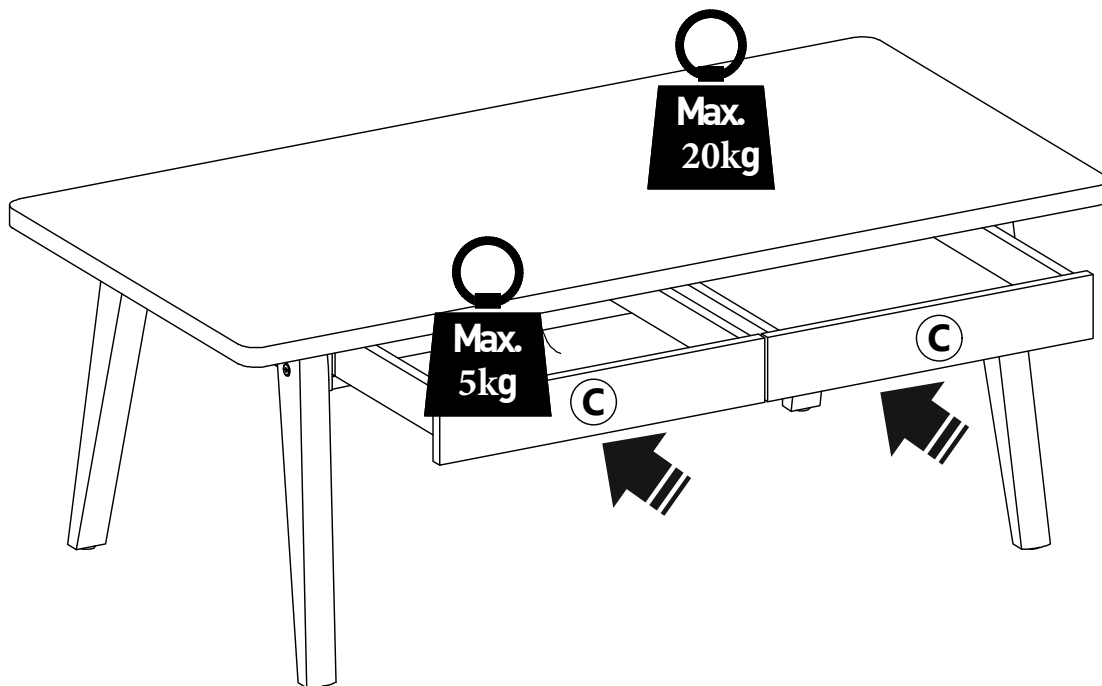
Assembly instructions, 3



Assembly instructions, 4



Assembly instructions, 4



Safety and Care Advice

General care and maintenance

Only clean using a damp cloth and mild detergent, do not use bleach or abrasive cleaners.

From time to time check that there are no loose screws on this unit.

This product should not be discarded with household waste. Take to your local authority waste disposal centre.

Cleaning and care of lacquered surfaces

Regular dusting with a dry cloth will keep your units clean.

Clean marks with a damp cloth.

Do not use abrasive cleaners.

Do not clean with products containing following:

Acetone (e.g. nail varnish remover). Ammonia (e.g. bleach) or Sodium hydroxid (e.g. Caustic soda, drain and oven cleaners) .

To remove stubborn stain, wipe over with damp cloth and washing up liquid.

In the event of accidental contact with aggressive cleaners, rinse thoroughly with water. Use place mats to protect the surface from moisture and heat.

Maximum weight limit

Important: Recommended maximum load for each shelf is shown below.