

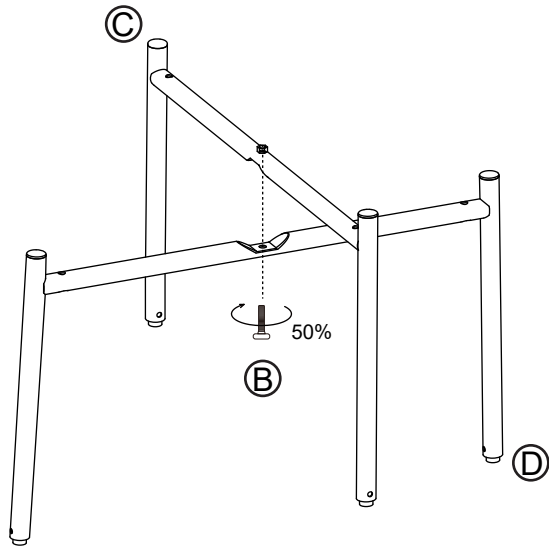
COFFEE TABLE SPIKE

ZUIVER^o

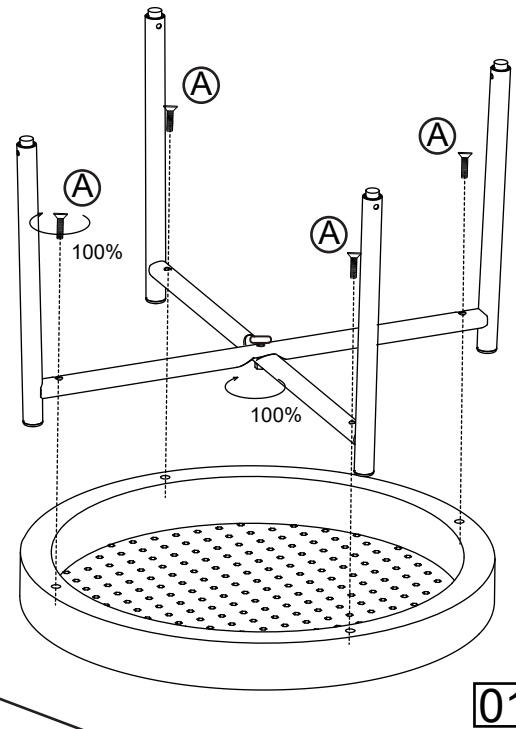
COMPONENT PARTS

FITTINGS

Step1



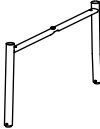



Step2



Step3



- Ⓐ  ×4
(M6×30mm)
- Ⓑ  ×1
(M6×30mm)
- Ⓒ  ×1
- Ⓓ  ×1

COMPONENT CHECKLIST

| PART | No. | Qty. |
|------|-----|----------------------------|
| Top | 01 | 1 <input type="checkbox"/> |

TOOLS REQUIRED



Allen Key(supplied)



Spanner(supplied)