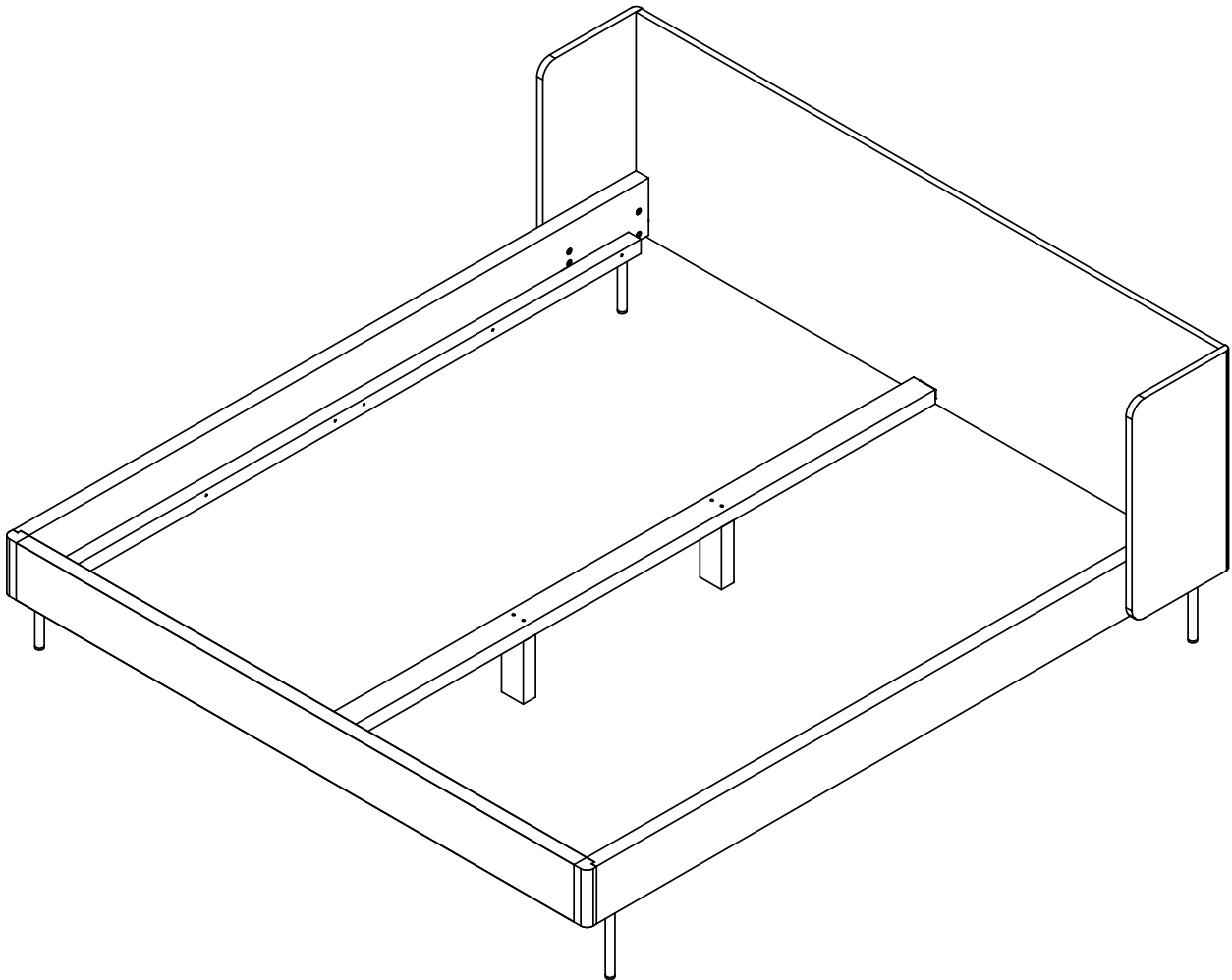


Assembly Instruction

Wrap Bed Headboard 180



180 x 200



Woodman OÜ

Made in Estonia

Mäo, Järvamaa

www.woodman.ee

support@woodman.ee

Kære kunde

Tillykke med dit nye køb.
Følg disse råd og få det bedste resultat, når du samler produktet.

- Læs vejledningen grundigt, før du går i gang
- Find hjælp, hvis I skal være to til at samle møblet
- Tjek at pakken indeholder alle dele på materialeoversigten
- Saml møblet på et blødt underlag, så du undgår ridser
- Følg vejledningen nøje
- Efterspænd møblet efter en måned
- Gem denne vejledning

Afsæt tid

Nogle møbler kan samles på få minutter. Andre – der f.eks. består af flere dele – kan tage over en time at samle. Afsæt god tid eller gør evt. arbejdet af flere omgange.

Mangler du enkeltdele, eller har du spørgsmål til samlevejledningen. Så kontakt kundeservice på ilva.dk. Venligst oplys del nr. og reference nr. fra side 1.

Venlig hilsen
ILVA

Dear Customer

Congratulations on your new purchase.
Follow this advice and get the best result when assembling the product.

- Read the instruction carefully before you start
- Get help, if two persons are required for assembly
- Make sure, you have all parts on the total material list
- Work on a soft, flat surface to avoid any damage to the finish
- Follow the assembly instruction
- Tighten the furniture joints after a month
- Keep the assembly instruction

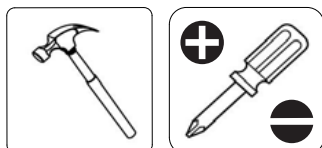
Allocate time

Some furniture can be assembled in minutes. Others – e.g. products in several parts – can take more than an hour to finish. Make sure to allocate good time or divide up the work.

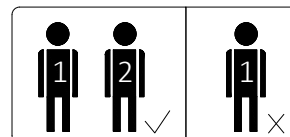
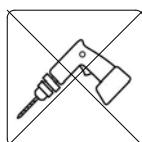
If any parts are missing or if you have questions for the assembly instruction, please contact customer support at ilva.dk. Please mention item no. and reference no from page 1

Best regards,
ILVA

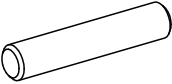
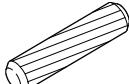
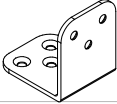
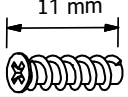
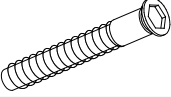
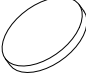
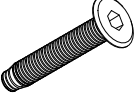
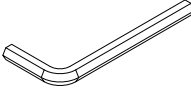
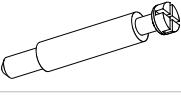

Tools needed



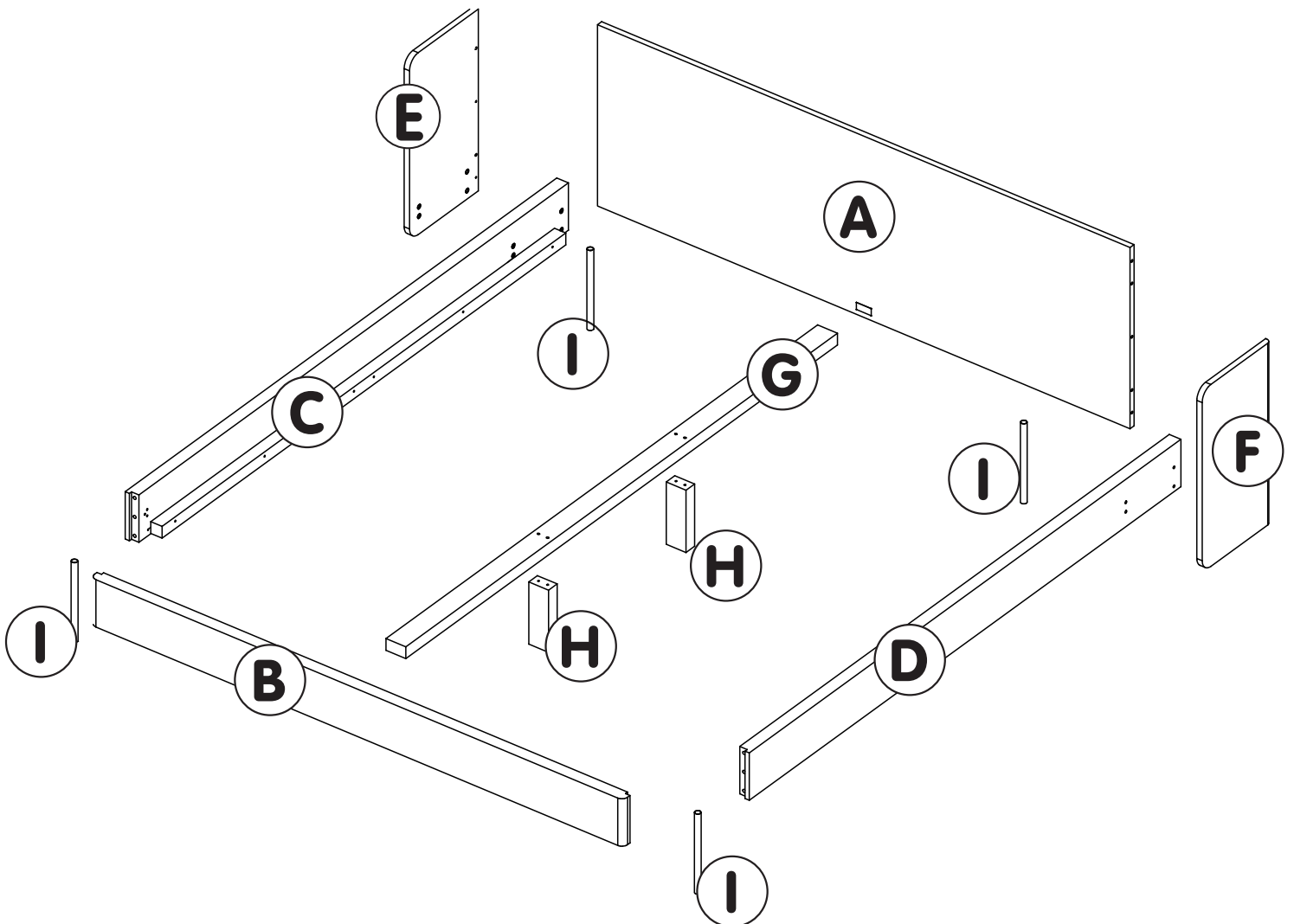
Don't use!!!



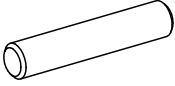
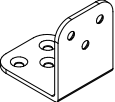
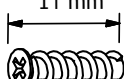
Total material list, hardware

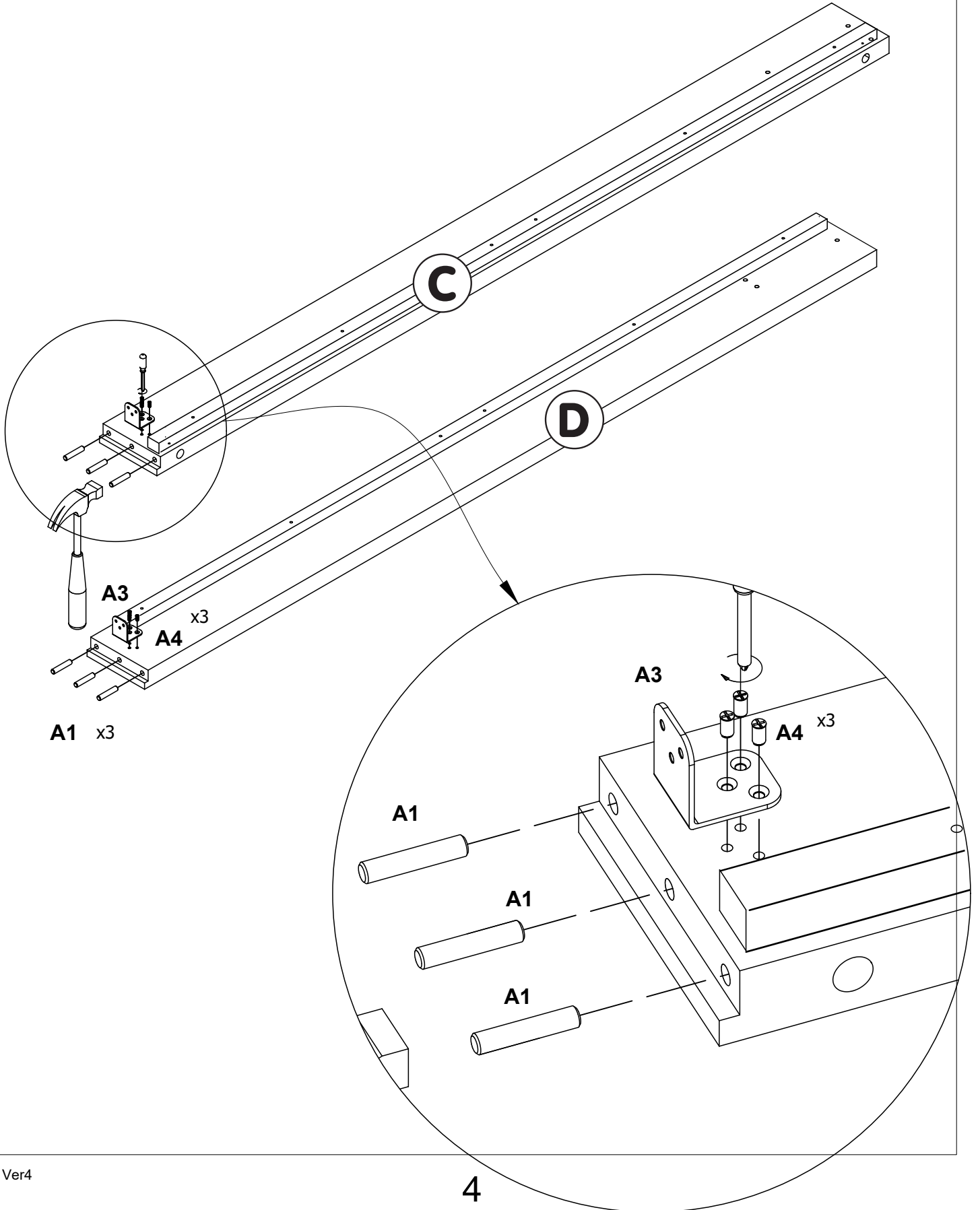
A1	 x6 10 x 40	A2	 x4 8 x 35	A3	 x2 48 x 48 x 2,0
A4	 x12 11 mm 6,3 x 11	A5	 x4 7 x 60 mm	A6	 x6 17 mm
A7	 x12 M6x55	A8	 x1 4 mm	A10	 x6 Ø7 x40
A9	 x6 M10 x 7,5				

Total material list, furniture parts

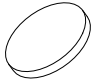
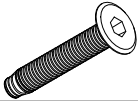
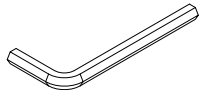


Assembly instruction, 1

A1		x6 10 x 40
A3		x2
A4		x6 6,3 x 11

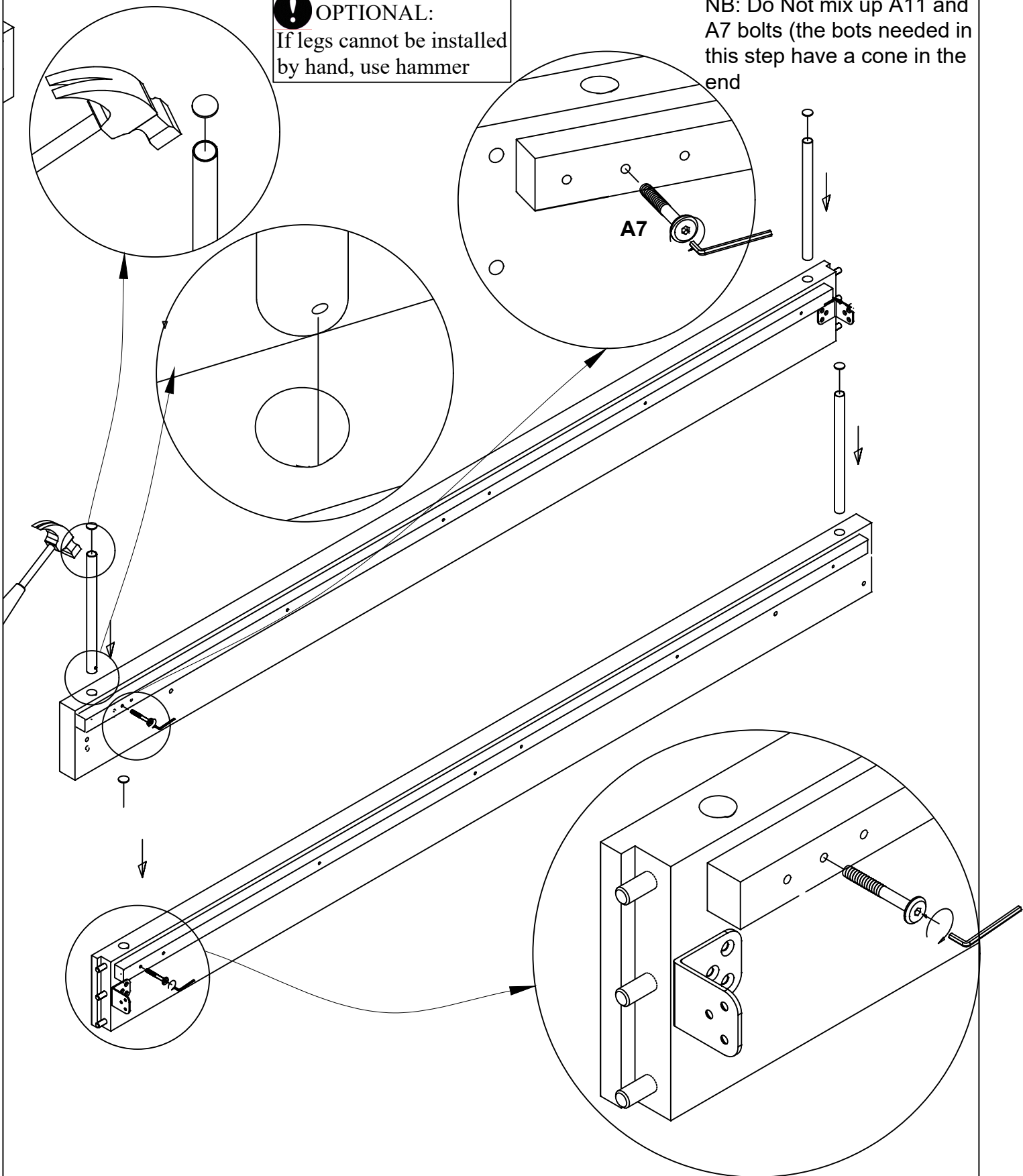


Assembly instruction, 2

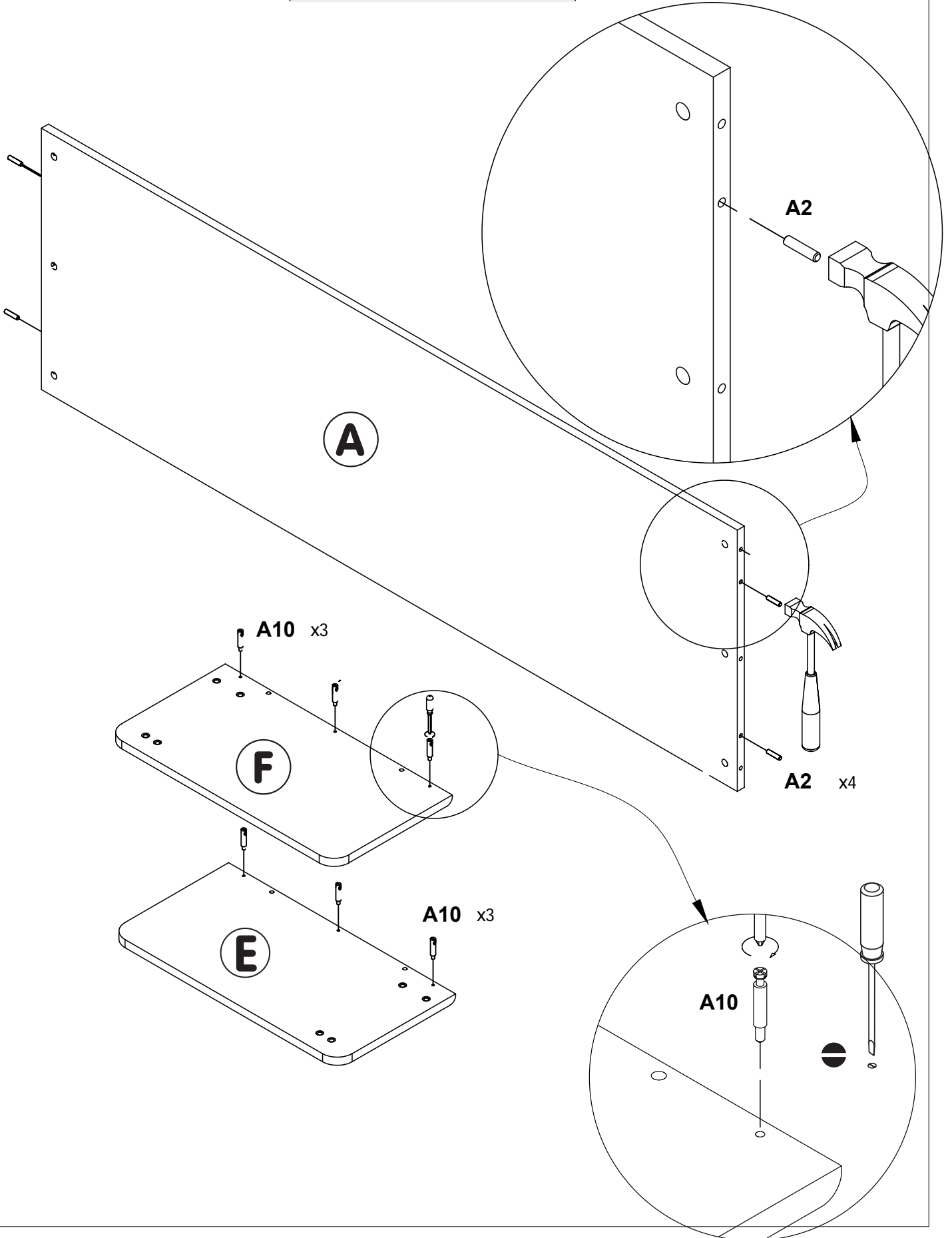
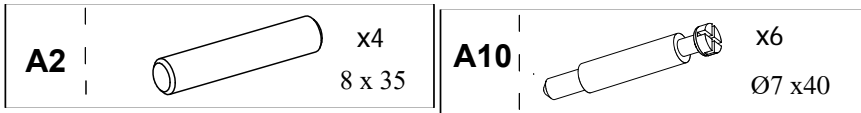
A6		x4 17mm	A7		x4 M6x55	A8		x1 4 mm
-----------	---	------------	-----------	---	-------------	-----------	---	------------

! **OPTIONAL:**
If legs cannot be installed
by hand, use hammer

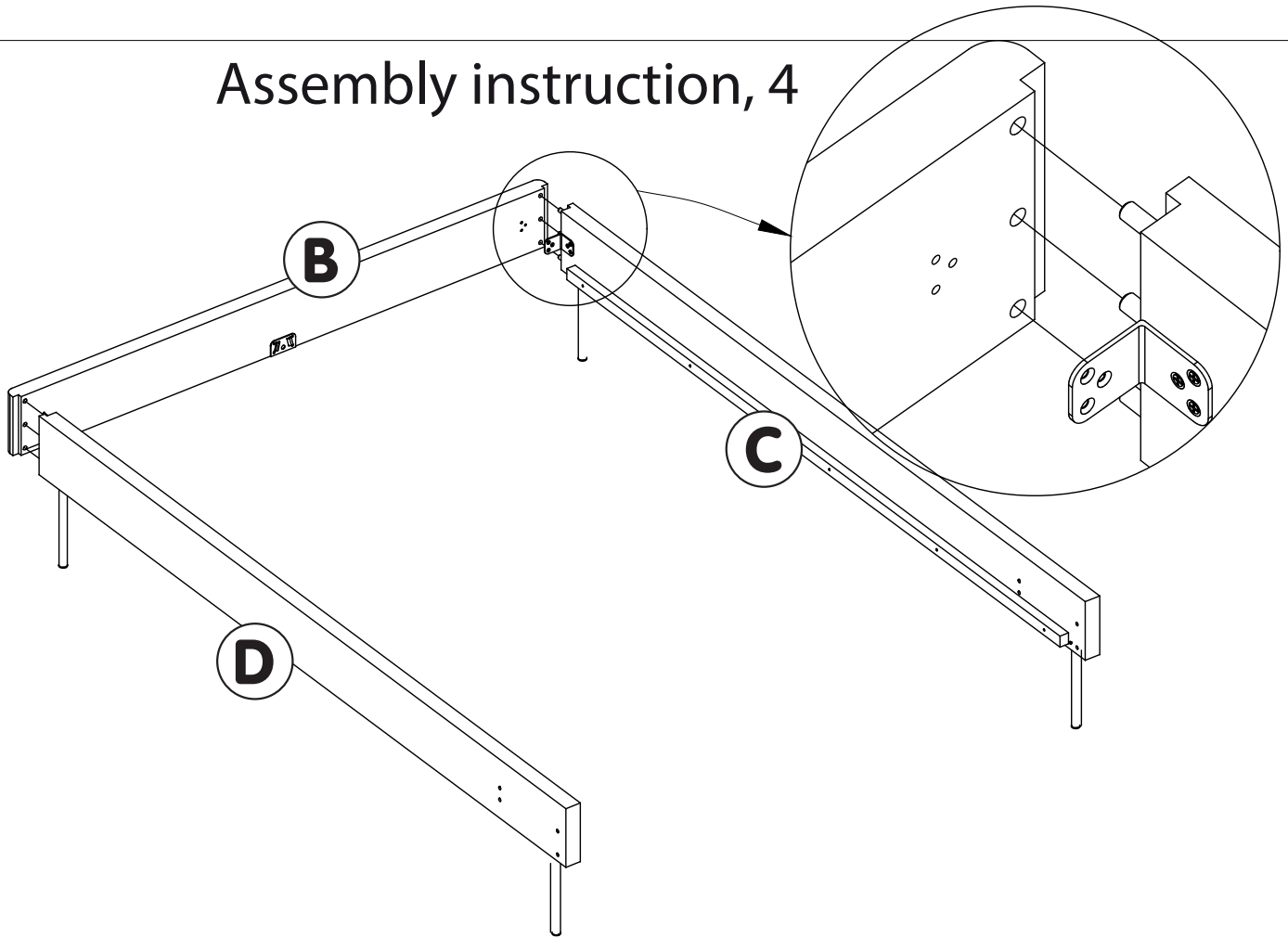
NB: Do Not mix up A11 and
A7 bolts (the bolts needed in
this step have a cone in the
end



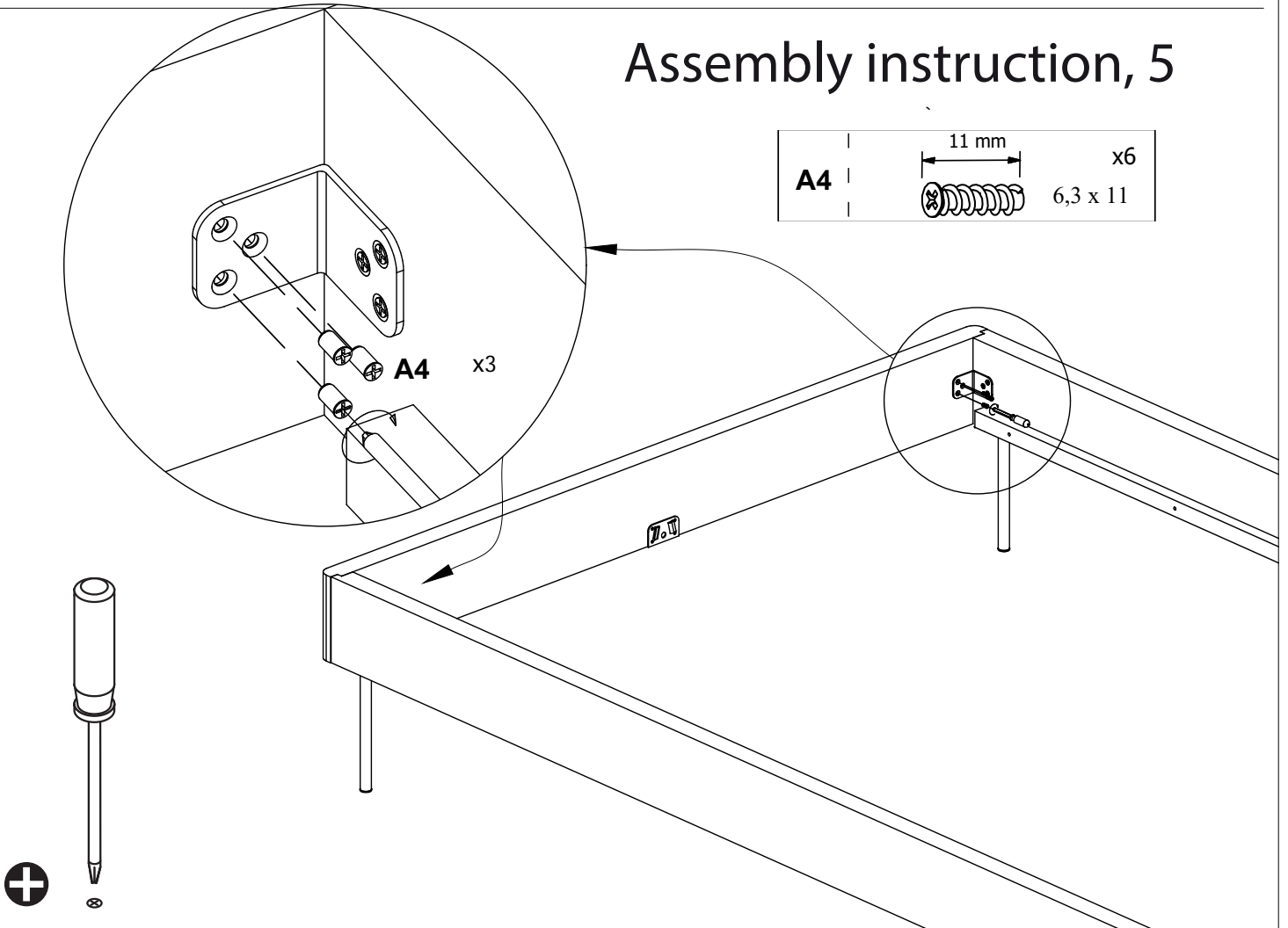
Assembly instruction, 3



Assembly instruction, 4

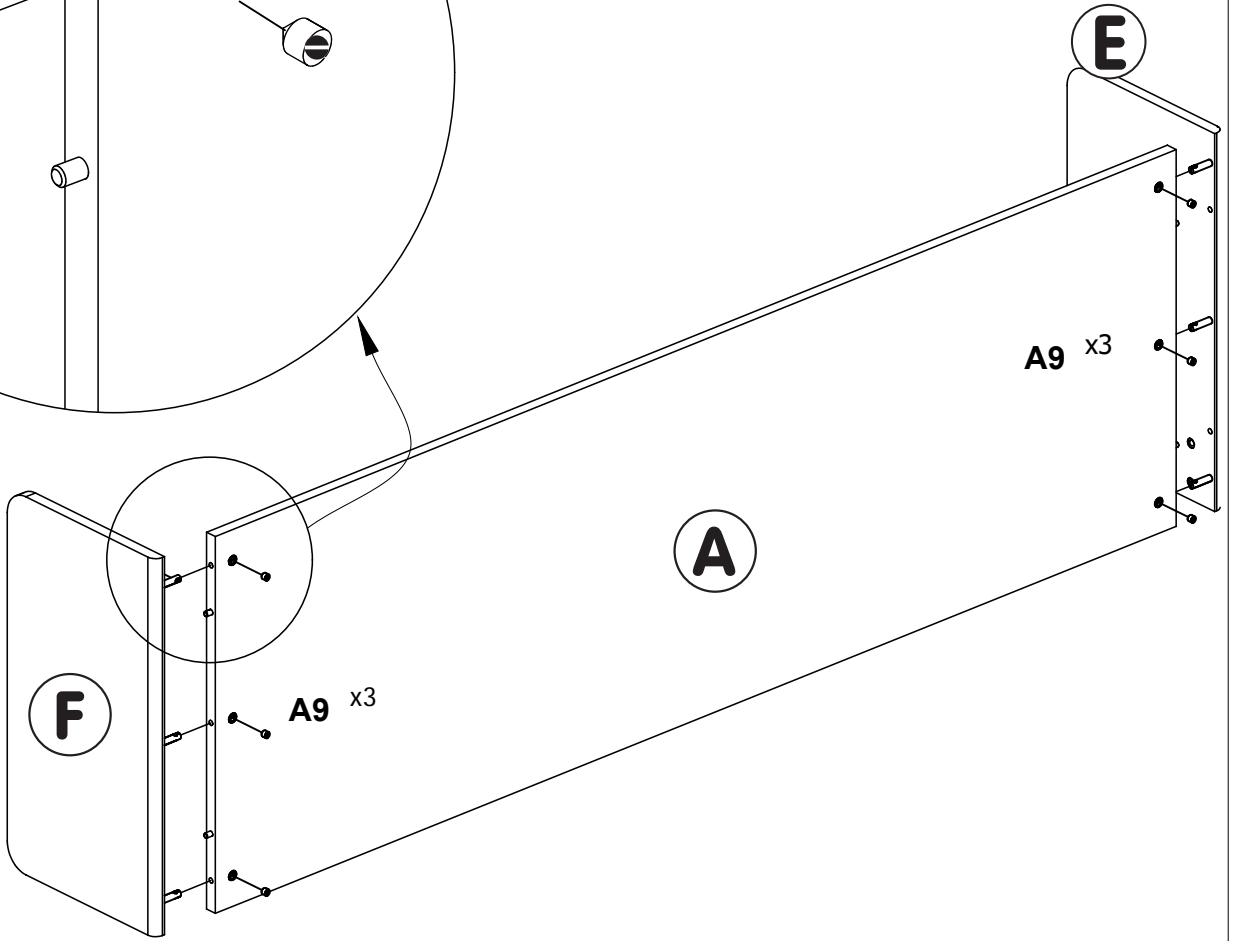
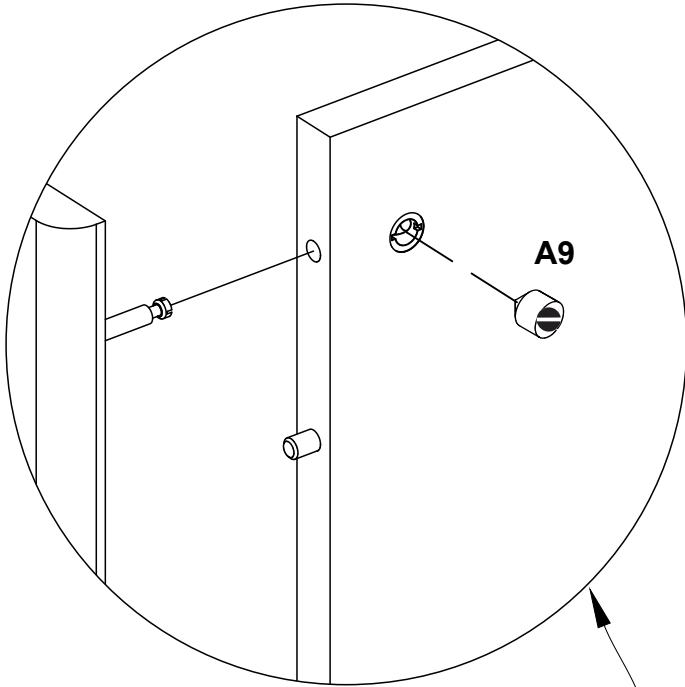
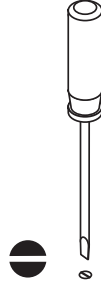


Assembly instruction, 5

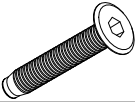
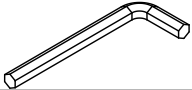


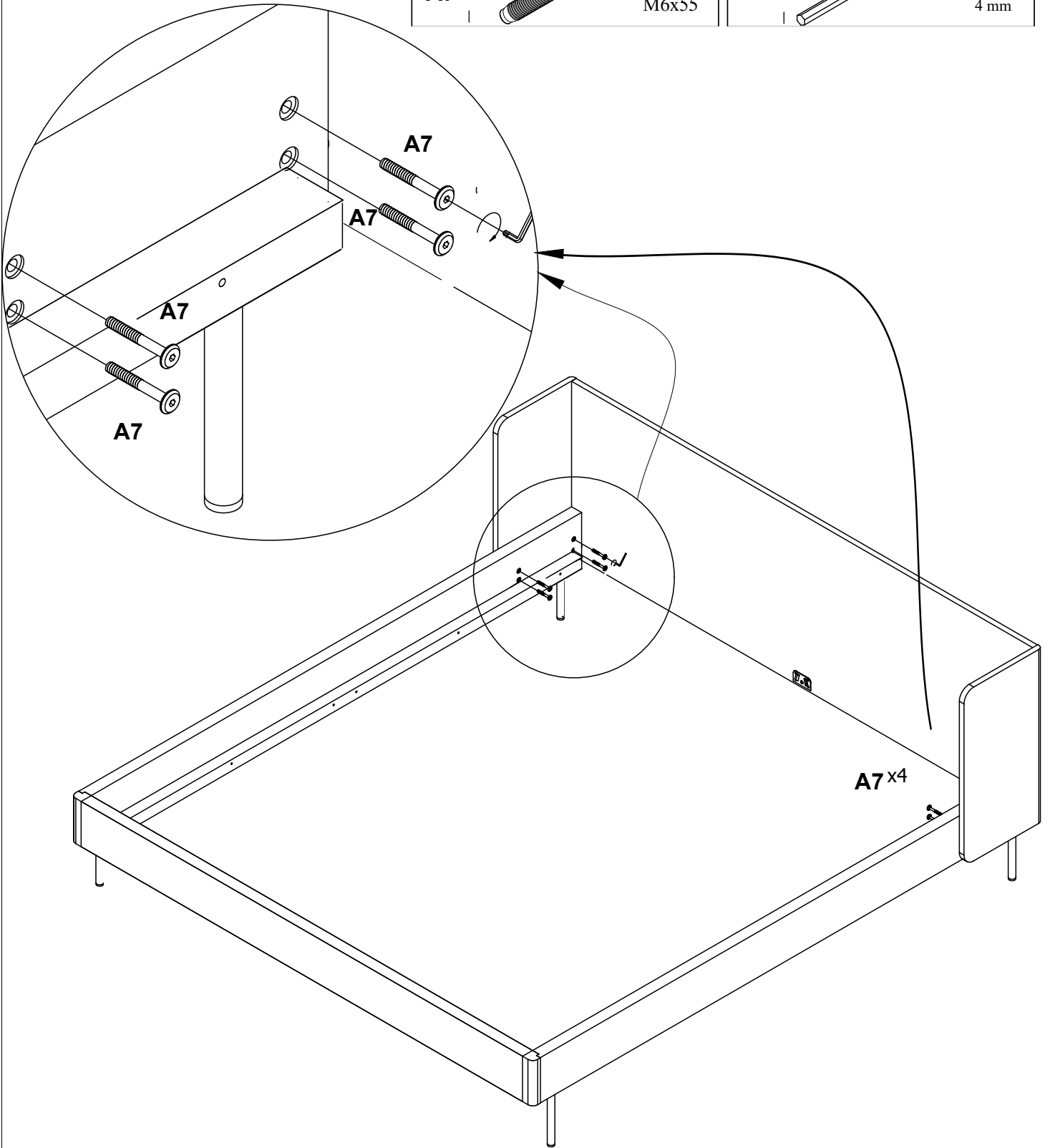
Assembly instruction, 6

A9		x6 M10 x 7,5
-----------	---	-----------------

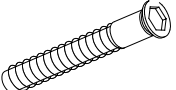
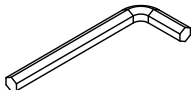
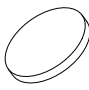


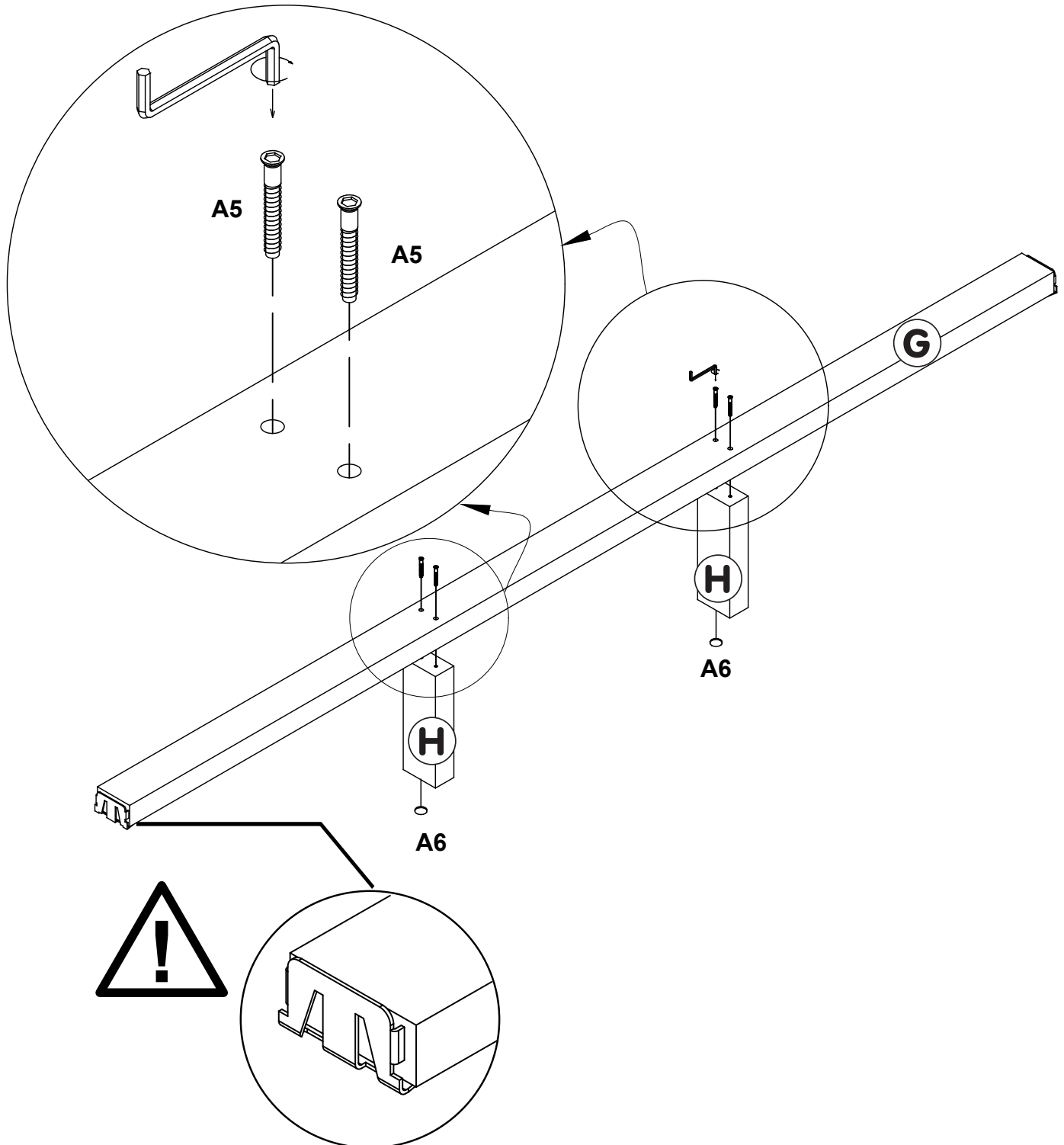
Assembly instruction, 7

A7		x8 M6x55	A8		x1 4 mm
-----------	---	-------------	-----------	---	------------



Assembly instruction, 8

A5		x4 7 x 60 mm	A8		A6		x2 17mm
-----------	---	-----------------	-----------	---	-----------	---	------------



Assembly instruction, 9

