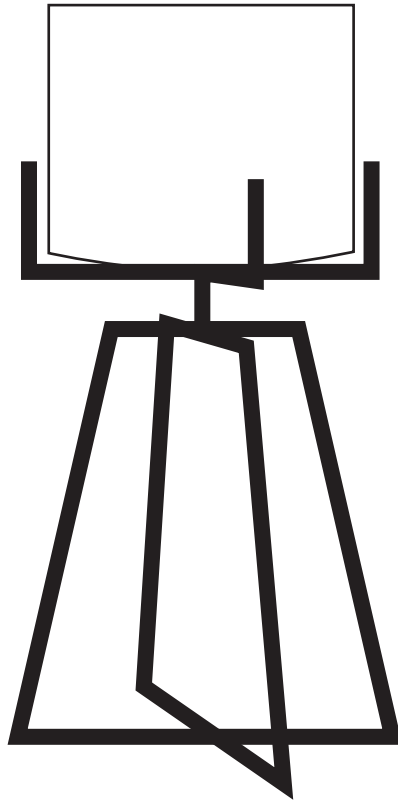


# HOLLY

## table lamp



**ATTENTION: READ THE MANUAL CAREFULLY BEFORE INSTALLING THE LAMP**

Rated power E 27, Max. 40W

### WARNING

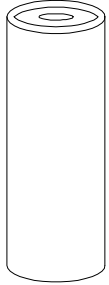
1. Ensure the lamp is disconnected from mains power before installation.
2. Make sure the lamp is securely supported.
3. Just for indoor use.

### IMPORTANT:

1. Wear gloves during installation. Avoid scratching the lamp surface
2. Ensure that the electrical supply complies with the type stated on rating label.
3. Used lighting source shall be of suitable model and wattage
4. Avoid touching the shade and bulb when the lamp is working
5. Please cut off power and let the bulb and shade cool down before replacing the bulb.
6. Please use dry cloth to clean the lamp.
7. If the external flexible cable or cord of this luminaire is damaged, it shall be exclusively replaced by the manufacturer or his service agent or a similar qualified person in order to avoid a hazard.

# HOLLY

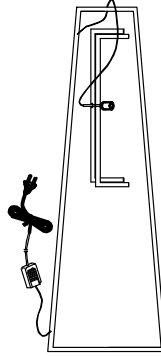
## table lamp



A - 1 PCS



B - 2 PCS



C - 1 PCS

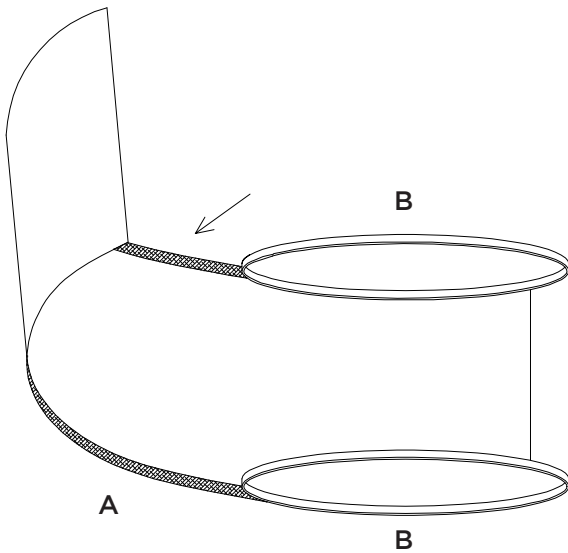


D - 1 PCS  
4X12MM

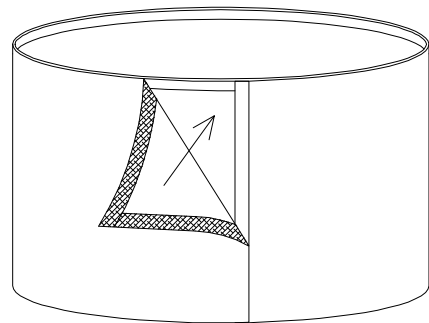


E - 1 PCS

1

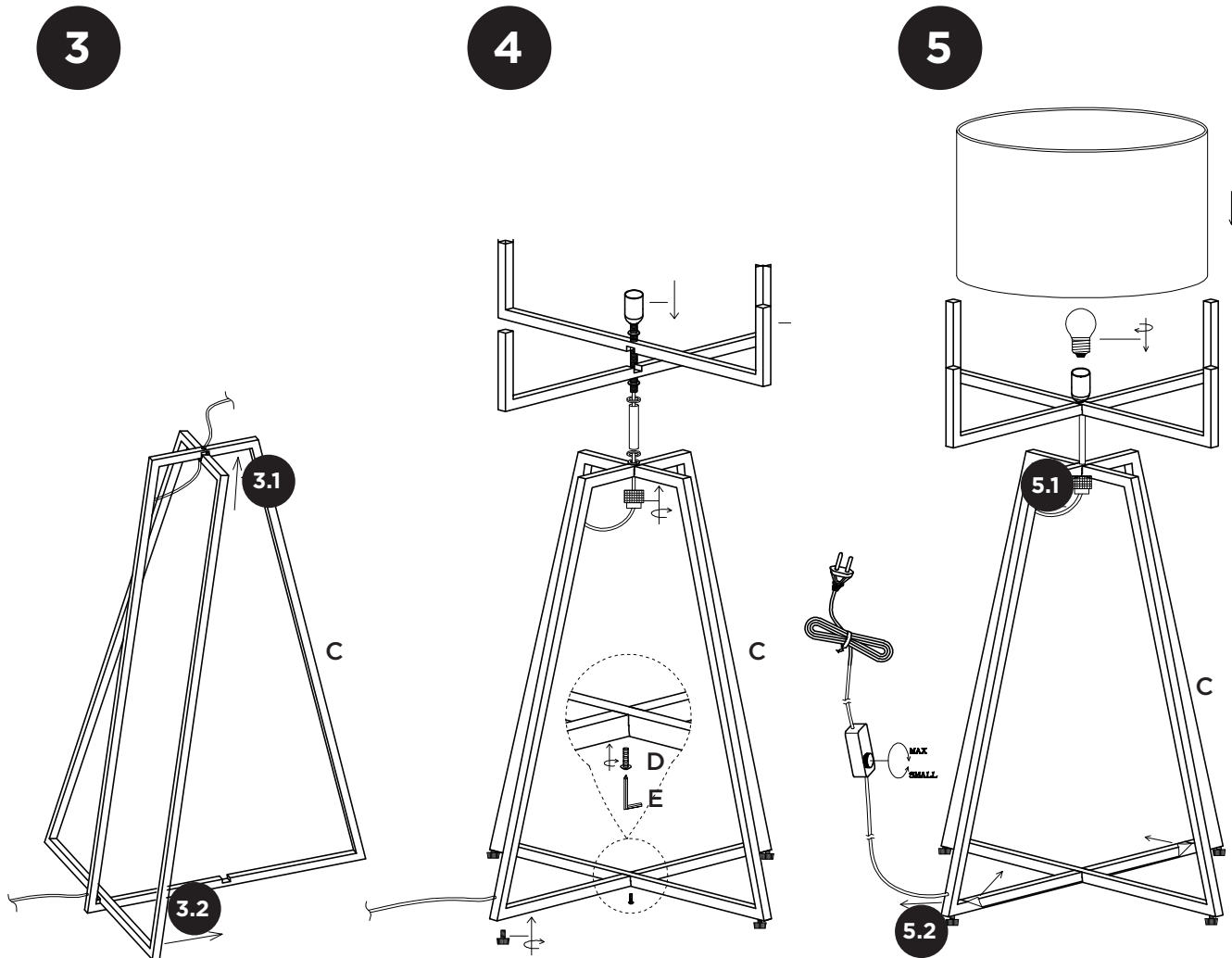


2



# HOLLY

## table lamp



### - MOUNTING INSTRUCTIONS -

**NL:** Tip bij kwetsbare ondergrond:  
Plaats viltgliders onder de poten.  
Dit voorkomt beschadiging aan de  
ondergrond.

**UK:** Tip for sensitive surfaces: Place  
felt glides under the legs. This  
prevents damage to the floor.

**DE:** Tipp für empfindliche Ober-  
flächen: Filzgleiter unter die Beine  
legen. Dadurch werden Schäden am  
Boden vermieden.

**FR:** Conseil pour les surfaces sensibles  
: placez des patins en feutre sous les  
pieds. Cela évite d'endommager le sol.