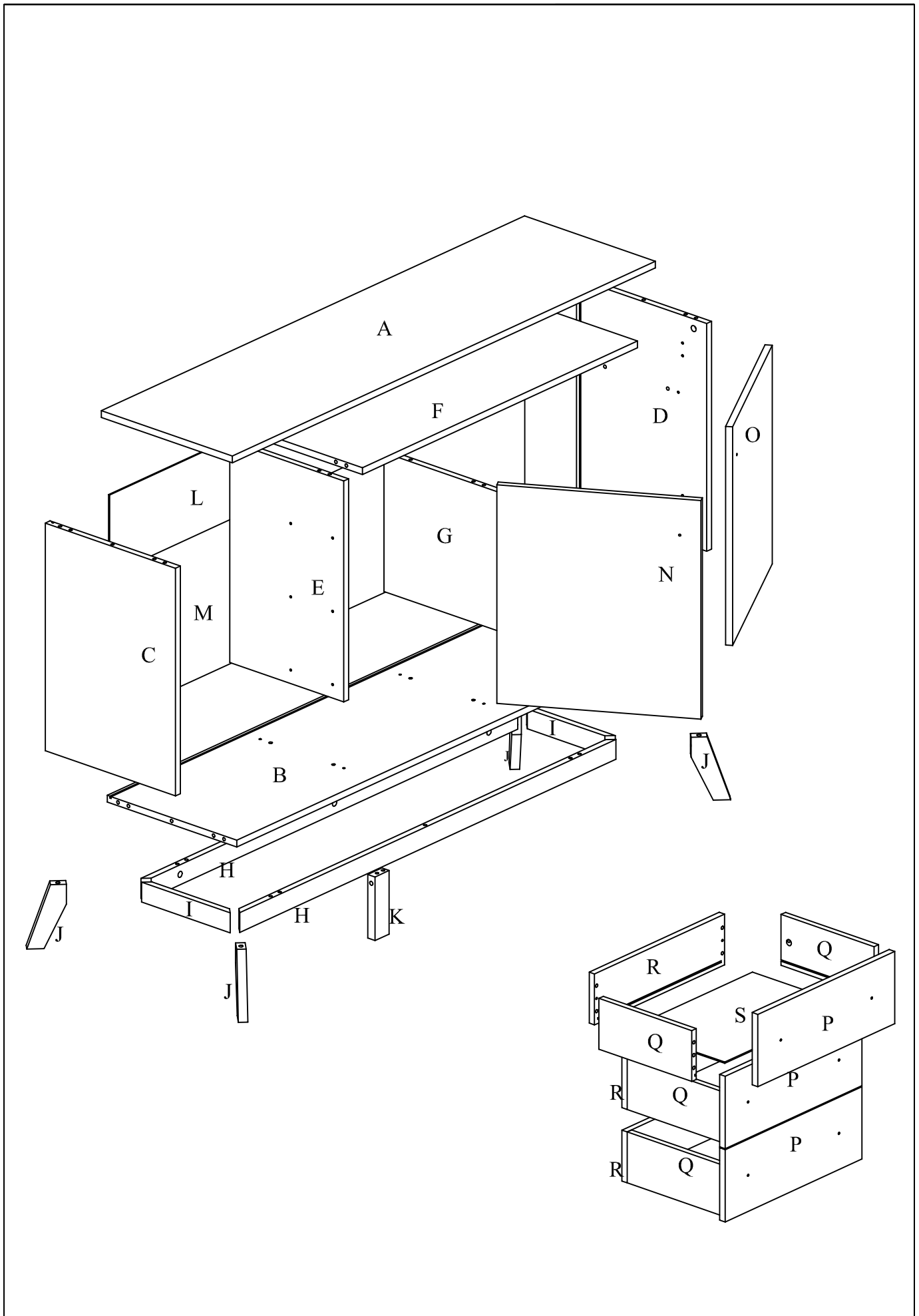


Reference no:

Designed by

Leonhard Pfeifer



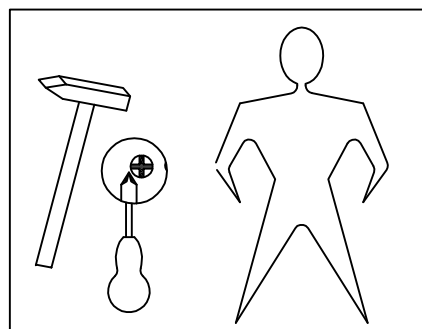
ENG - In case of any quality issues, contact your local dealer and always mention item reference No.

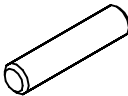
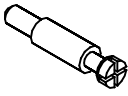
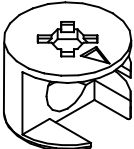
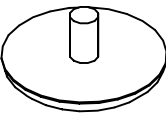

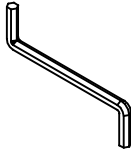
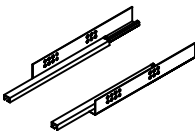
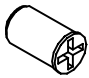
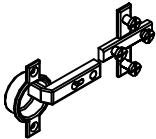
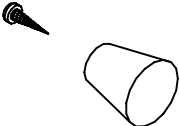


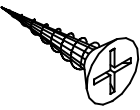
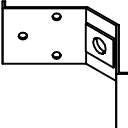

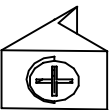
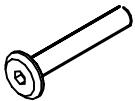
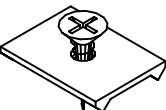
FR - En cas de problèmes de qualité, contactez votre revendeur local et mentionnez toujours la référence de l'article.

IT - In caso di eventuali problemi di qualità, contattare il rivenditore locale e citare sempre punto di riferimento No.

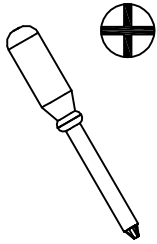
ES - En caso de problemas de calidad, póngase en contacto con su distribuidor local y mencione siempre la referencia del artículo.

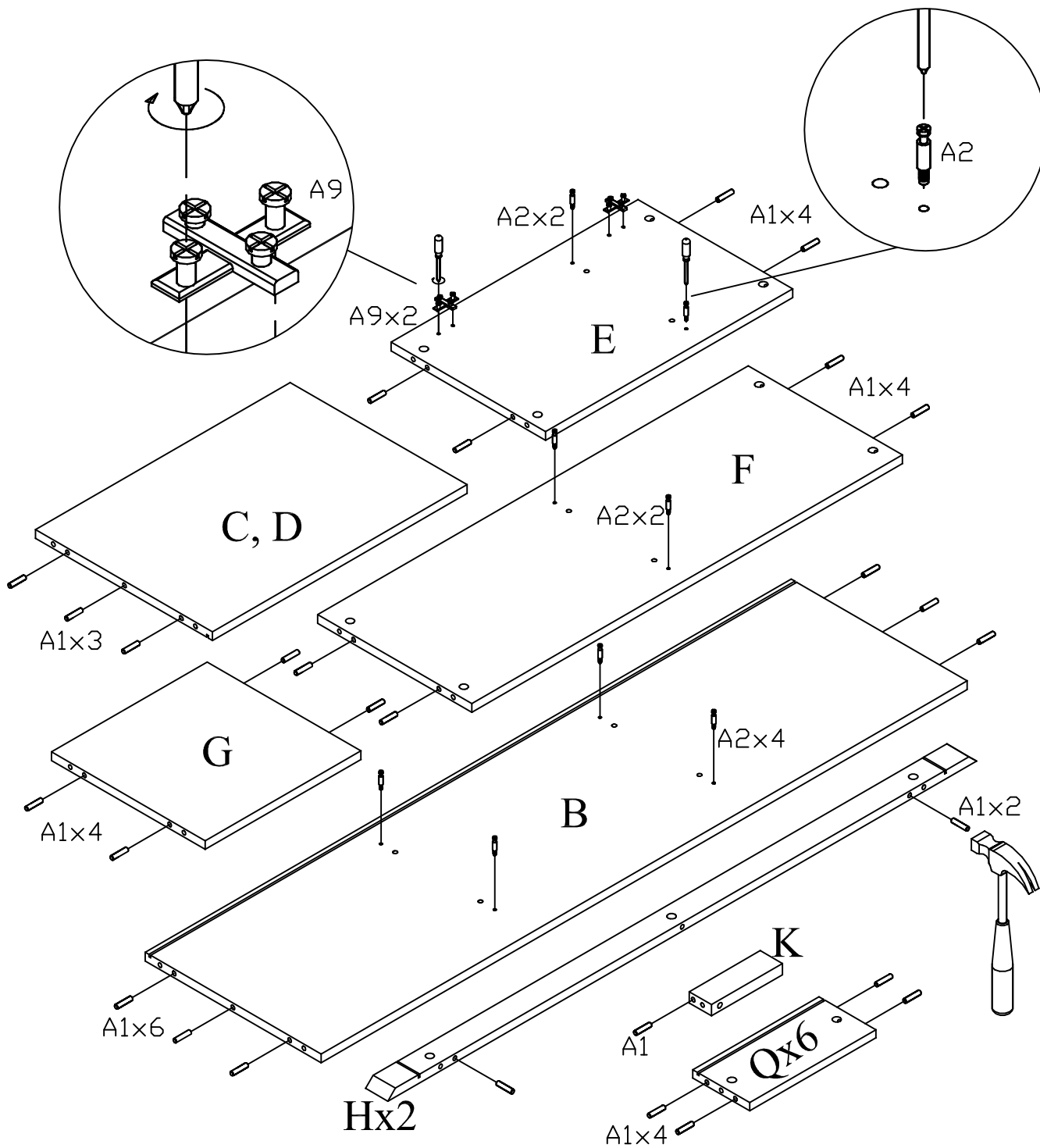
DE - Wenn Sie Qualitätsprobleme haben wenden Sie sich bitte an ihren örtlichen Händler und erwähnen Sie immer die Artikelnummer.



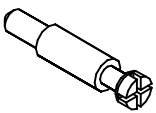
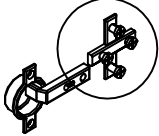
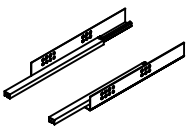
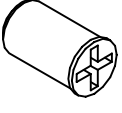
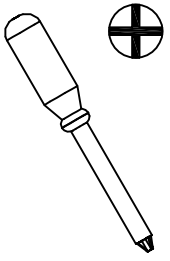
	A1  ø8x35	A2  ø7x24	A3  ø15x11.5	A4  ø17	A5  20mm	A6  4mm
QTY	x53	x38	x38	x22	x5	x1
	A7  L310	A8  ø6,3x11,5	A9  x4	A10  ø15/25x25 (ø3,5x35)	A11  ø5	A12  ø3,5x16
QTY	x3	x12	x4	x8	x5	x24
	A13  ø3,5x15	A14  95x40x1,5	A15  M6x30	A16  (ø3x20)	A17  7x50	A18  (ø3x20)
QTY	x8	x4	x4	x8	x1	x3

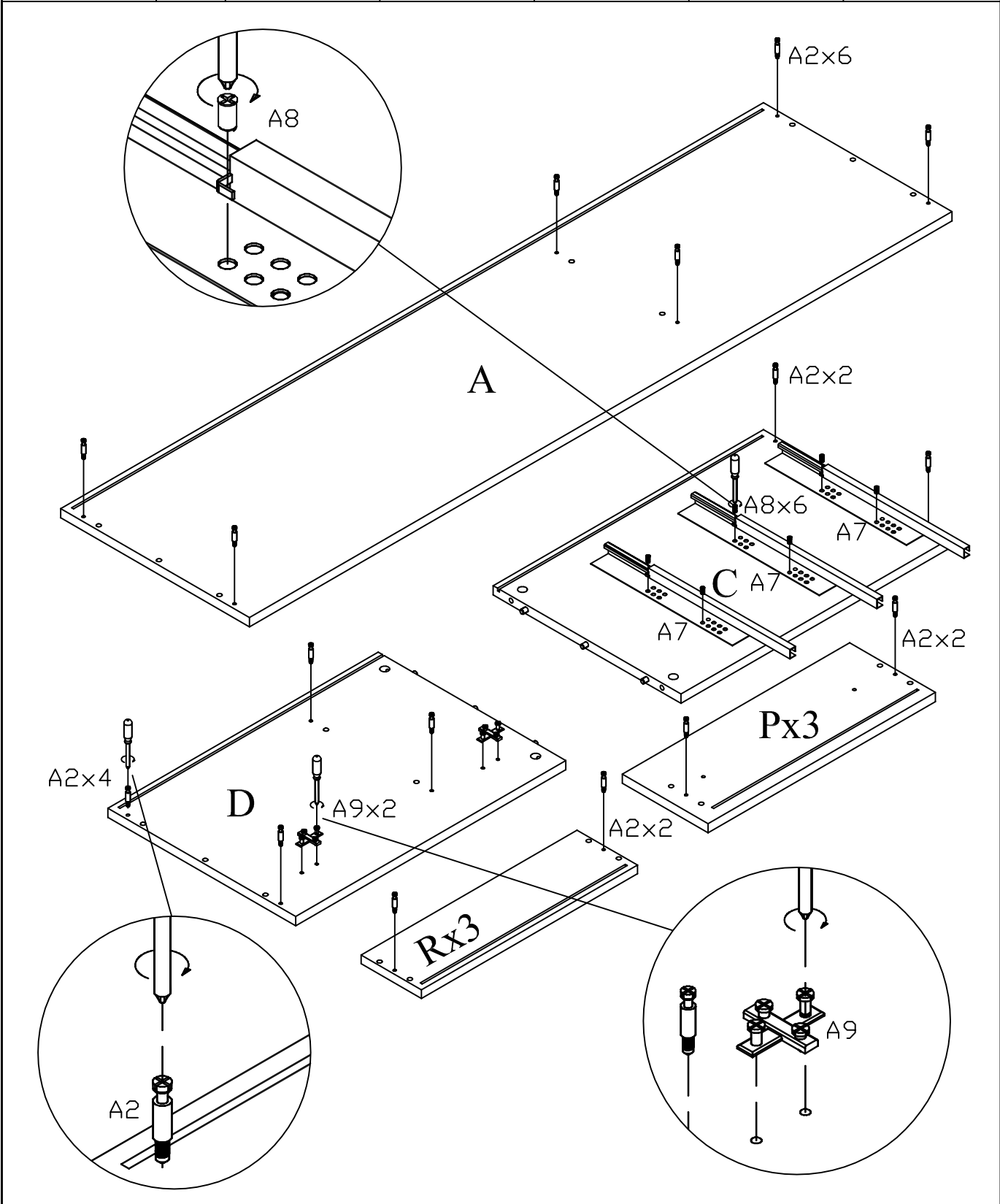
Step 1

	A1	A2	A9	
QTY	x53	x8	x2	



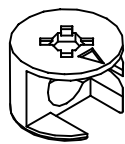
Step 2

	A2	A9	A7	A8	
					
	∅7x24		L300	∅6,3x11,5	
QTY	x24	x2	x3	x6	



Step 3

A3

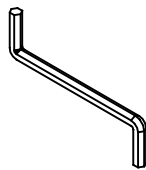


∅15x11.5

QTY

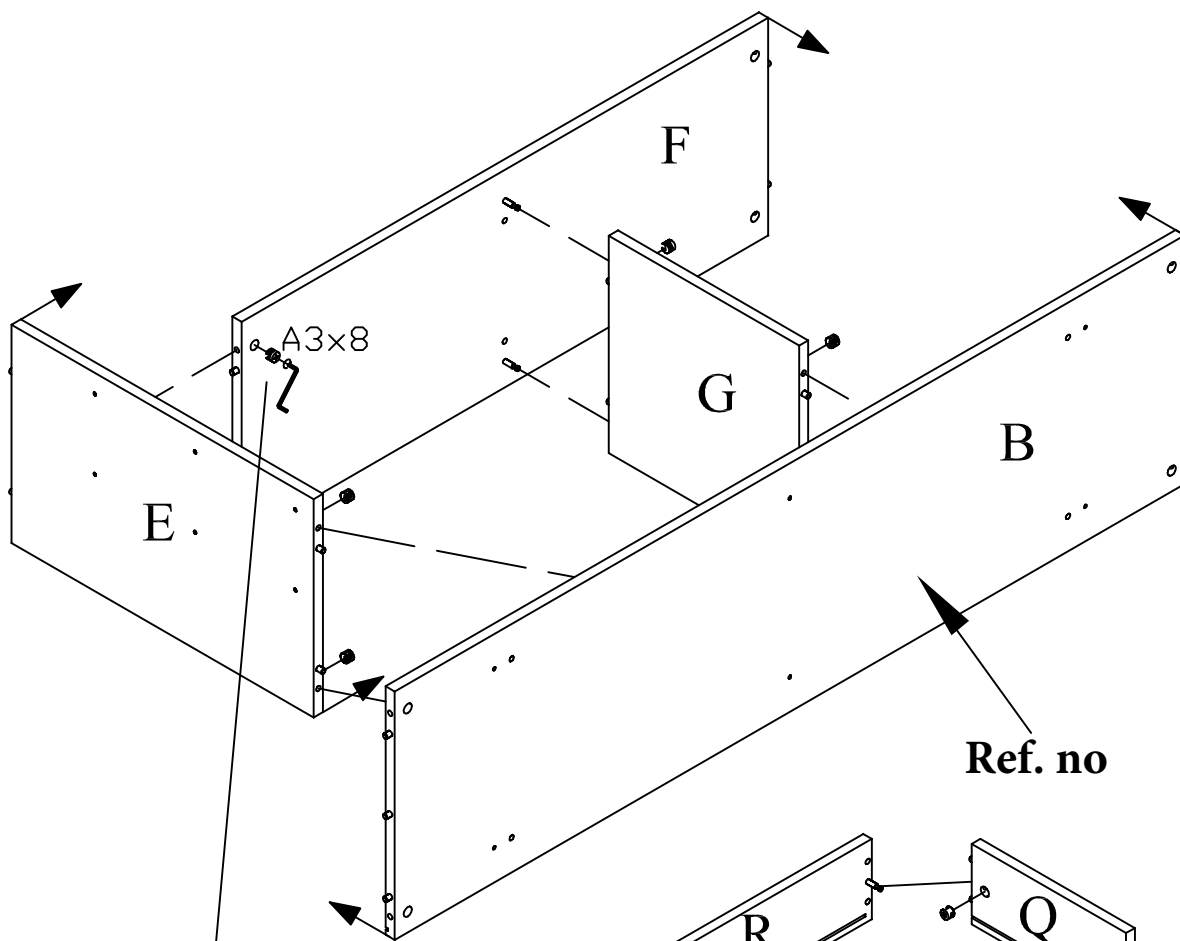
x20

A6

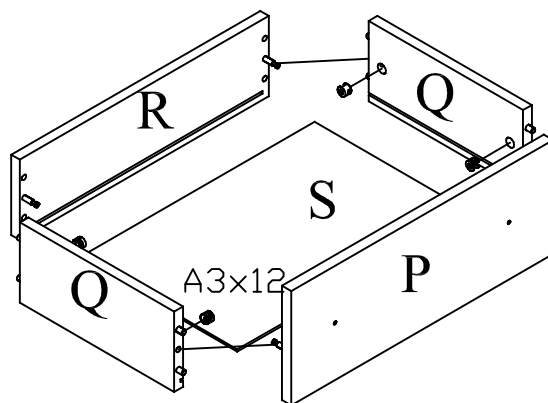
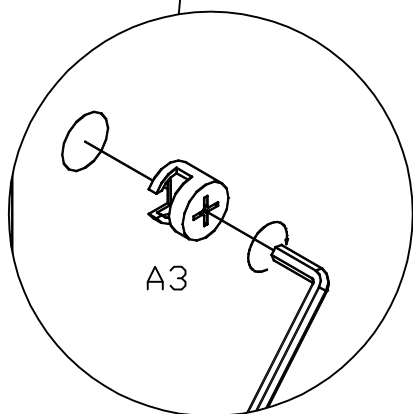


4mm

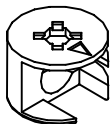
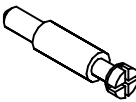
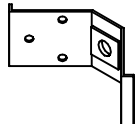
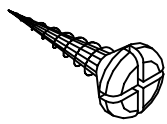
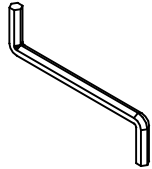
x1

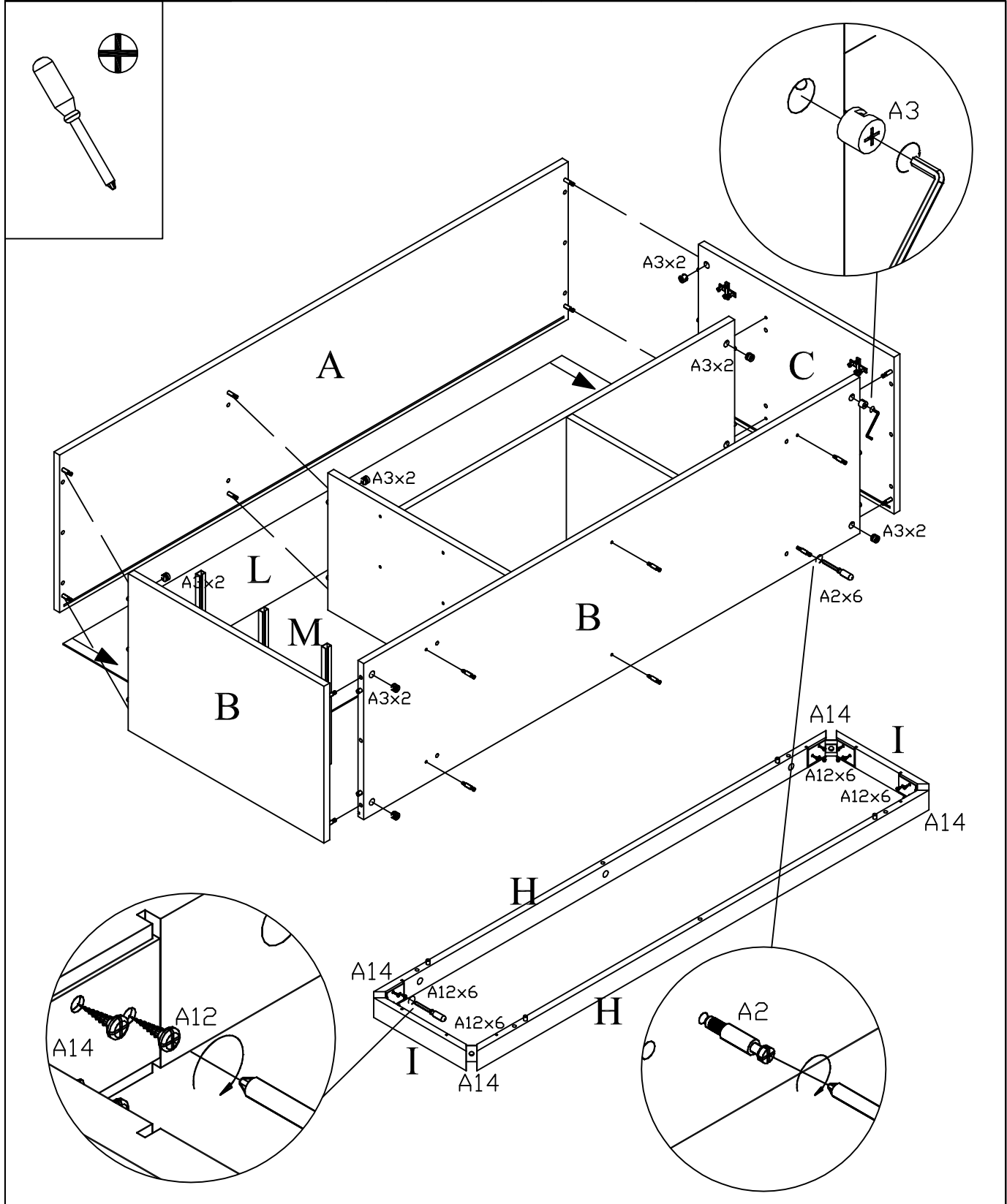


Ref. no

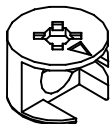
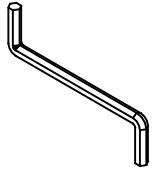
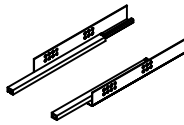
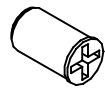

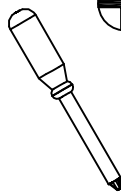


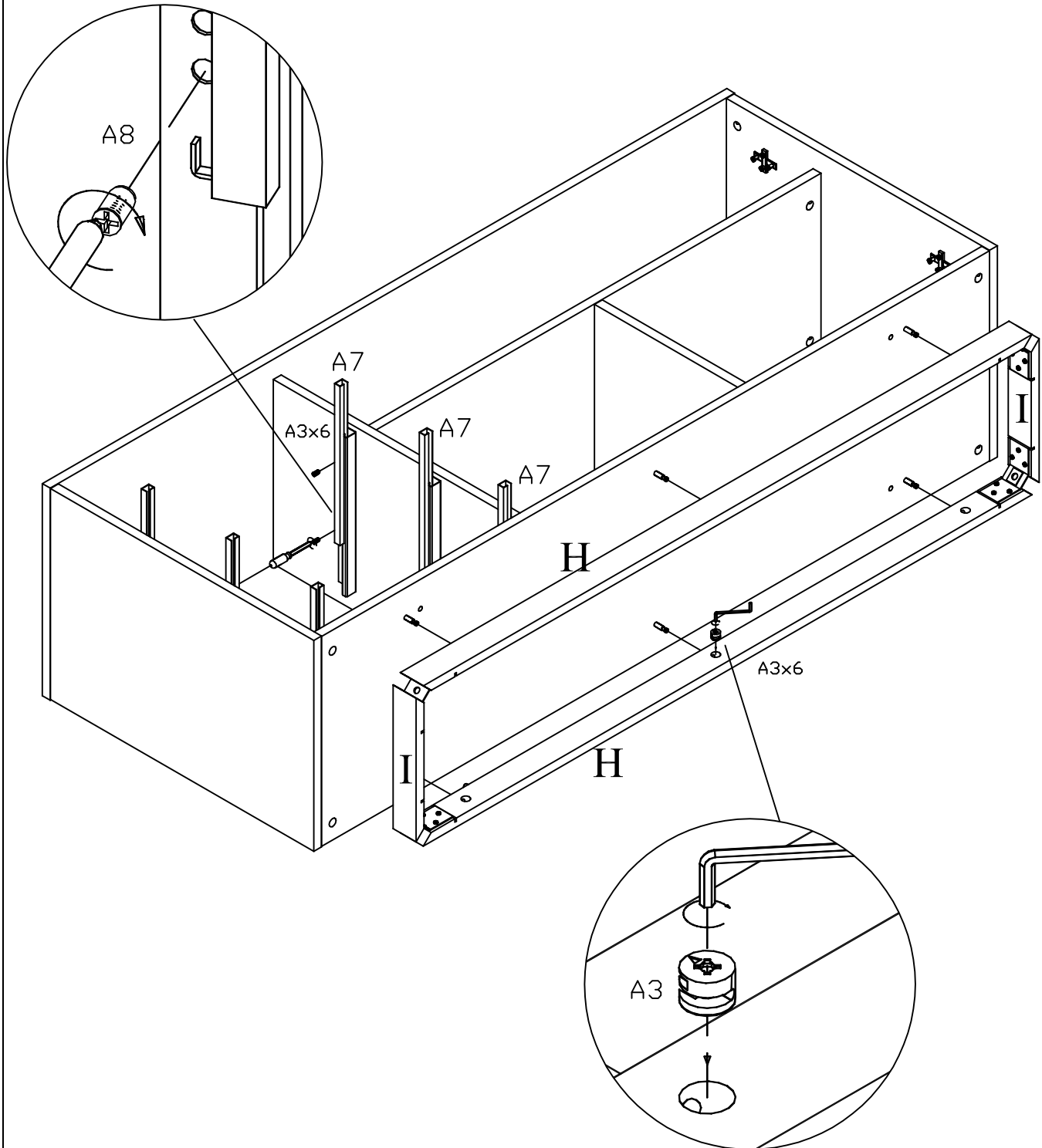
x3

Step 4	A3	A2	A14	A12	A6
					
	∅15x11.5	∅7x24	95x40x1,5	∅3,5x16	4mm
QTY	x12	x6	x4	x24	x1

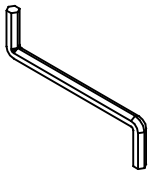
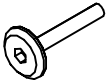

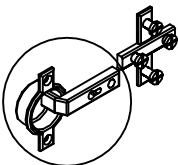



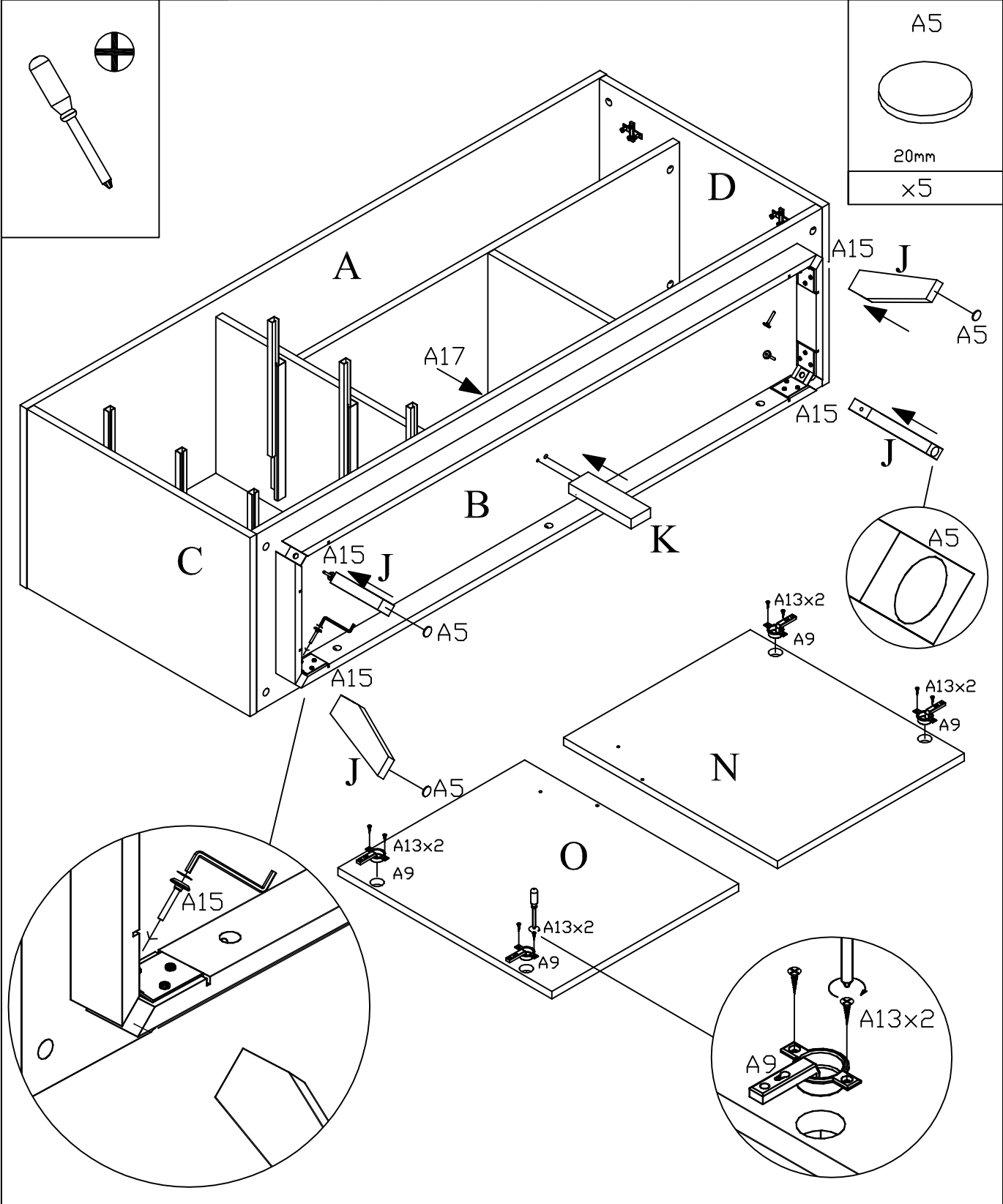
Step 5

	A3  Ø15x11.5	A6  4mm	A7  L300	A8  Ø6,3x11.5	 
QTY	x6	x1	x3	x6	


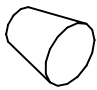

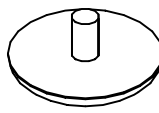
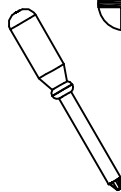



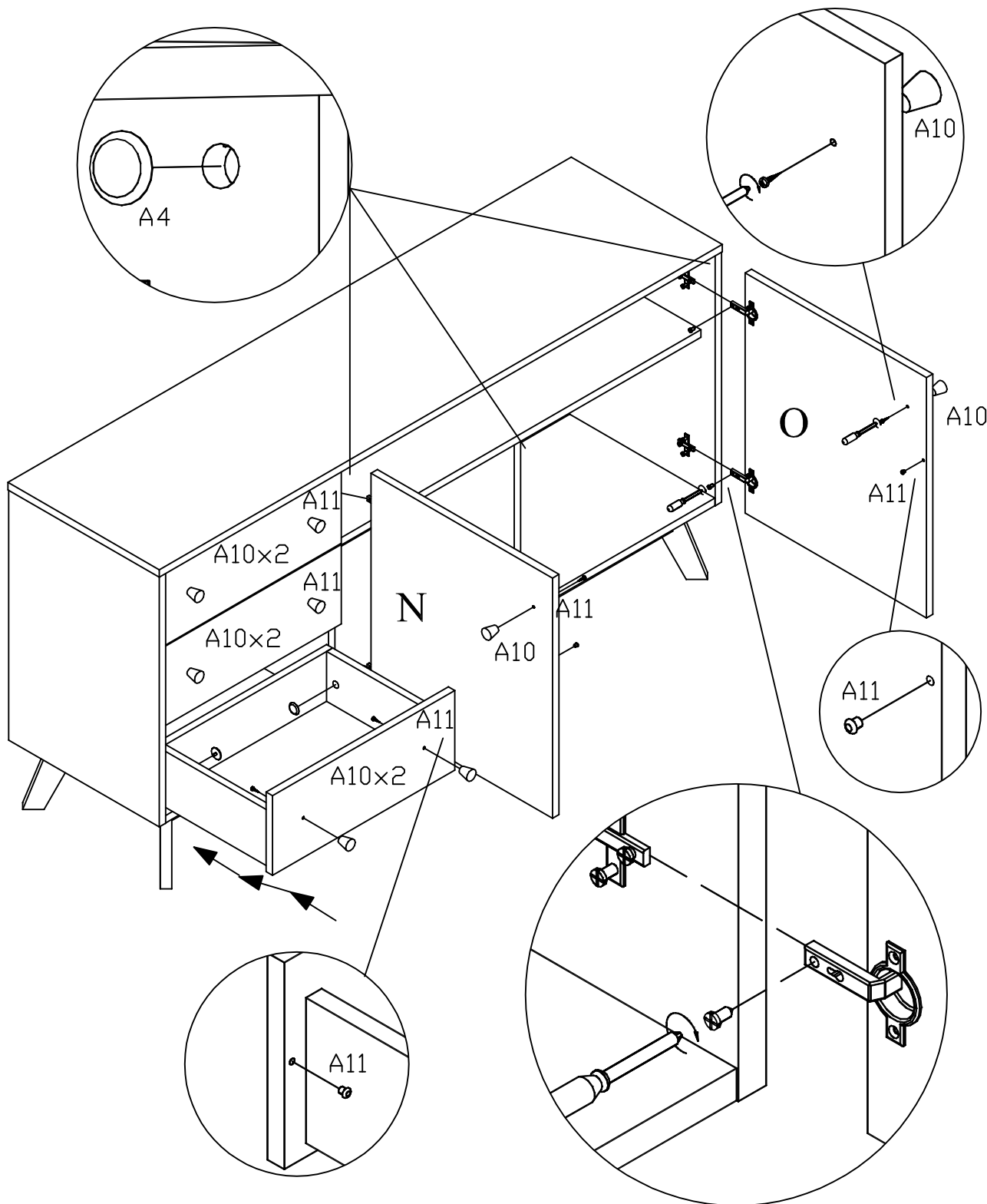
Step 6

	A6	A15	A17	A9	A13
					
	4mm	M6x30	7x50		ø3,5x15
QTY	x1	x4	x1	x4	x8


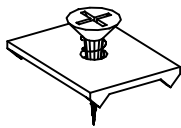
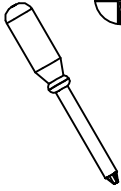



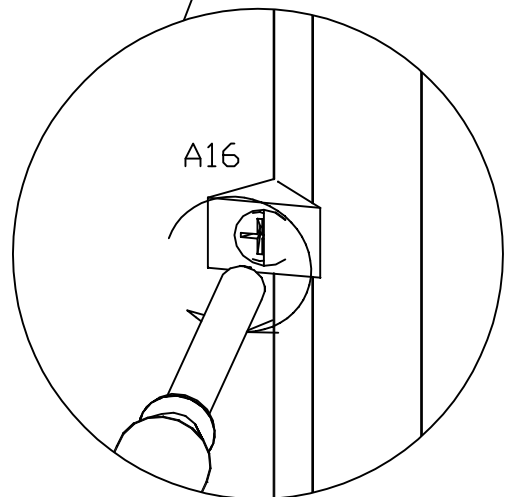
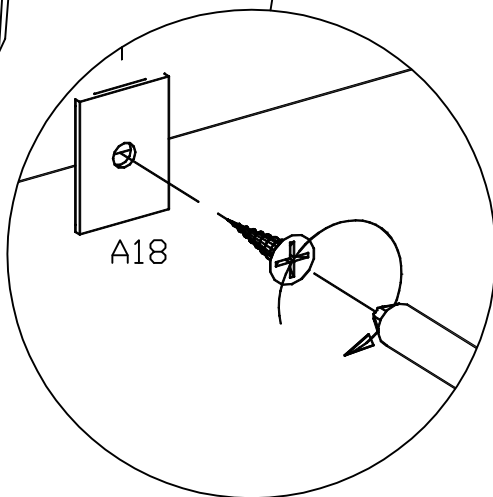
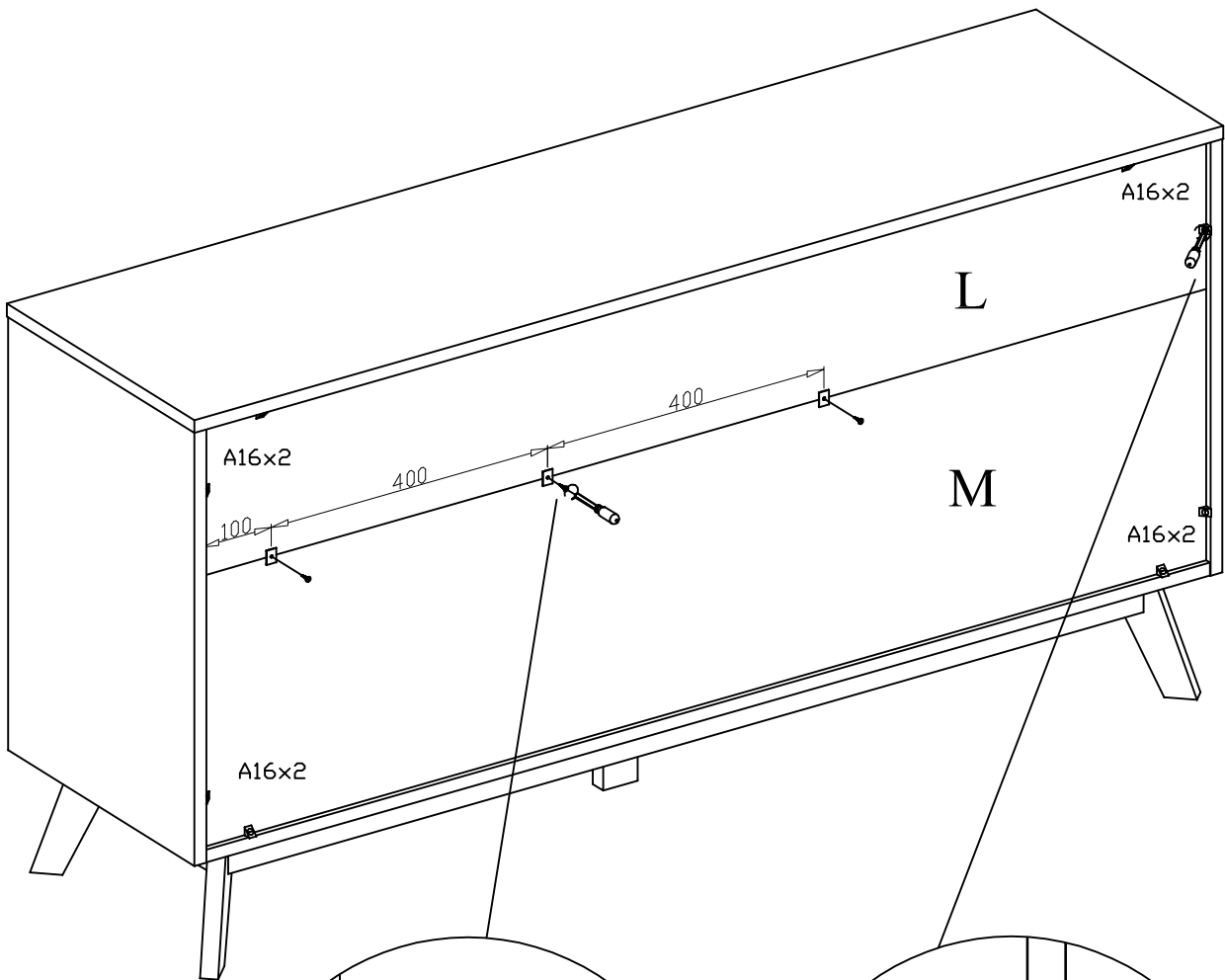
Step 8

	  A10 ø15/25x25 (ø3,5x35)	 A11 ø5	 A4 ø17	 
QTY	x8	x5	x22	



Step 9

	A16  ($\varnothing 3 \times 20$)	A18  ($\varnothing 3 \times 20$)	 	
QTY	x8	x3		





Safety and Care Advice

Important - Please read these instructions fully before starting assembly

Check you have all the components and tools.

Remove all fittings from the plastic bags and separate them into their groups.

Keep children and animals away from the work area, small parts could choke if swallowed.

Make sure you have enough space to layout the parts before starting.

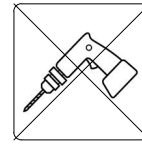
Do not stand or put weight on the product, this could cause damage.

Assemble the item as close to its final position (in the same room) as possible. Do not place furniture directly in front of radiators, fires or any other source of heat.



Parts of the assembly will be easier with 2 people.

Assemble on a soft level surface to avoid damaging the unit or your floor.



We do not recommend the use of power drill/drivers for inserting screws, as this could

damage the unit. Only use hand screwdrivers.

Dispose of all packaging carefully and responsibly.

General care and maintenance

Only clean using a damp cloth and mild detergent, do not use bleach or abrasive cleaners.

From time to time check that there are no loose screws and connectors on this unit.

This product should not be discarded with household waste. Take to your local authority waste disposal centre.

Cleaning and care of high gloss surfaces

Regular dusting with a dry cloth will keep your units clean.

Clean marks with a damp cloth.

Do not allow spillages to stay on the surface for long.

Do not clean with products containing the following: Acetone, (e.g. nail varnish remover), Ammonia (e.g. bleach), or Sodium hydroxide (e.g. Caustic soda, drain and oven cleaners).

Do not use abrasive cleaners.

To remove stubborn stains, wipe over with a damp cloth and washing up liquid.

In the event of accidental contact with aggressive cleaners, rinse thoroughly with water.

Use place mats to protect the surface from moisture and heat.

Maximum weight limit

