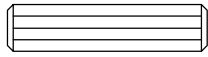
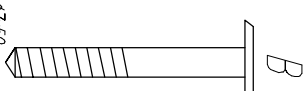
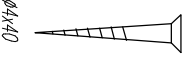
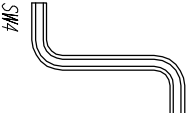
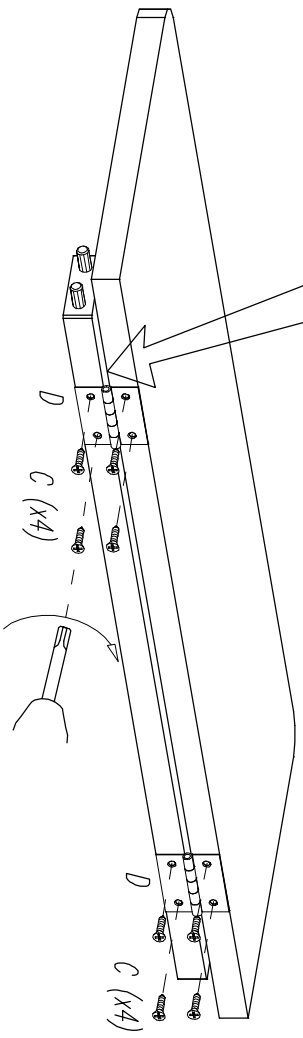
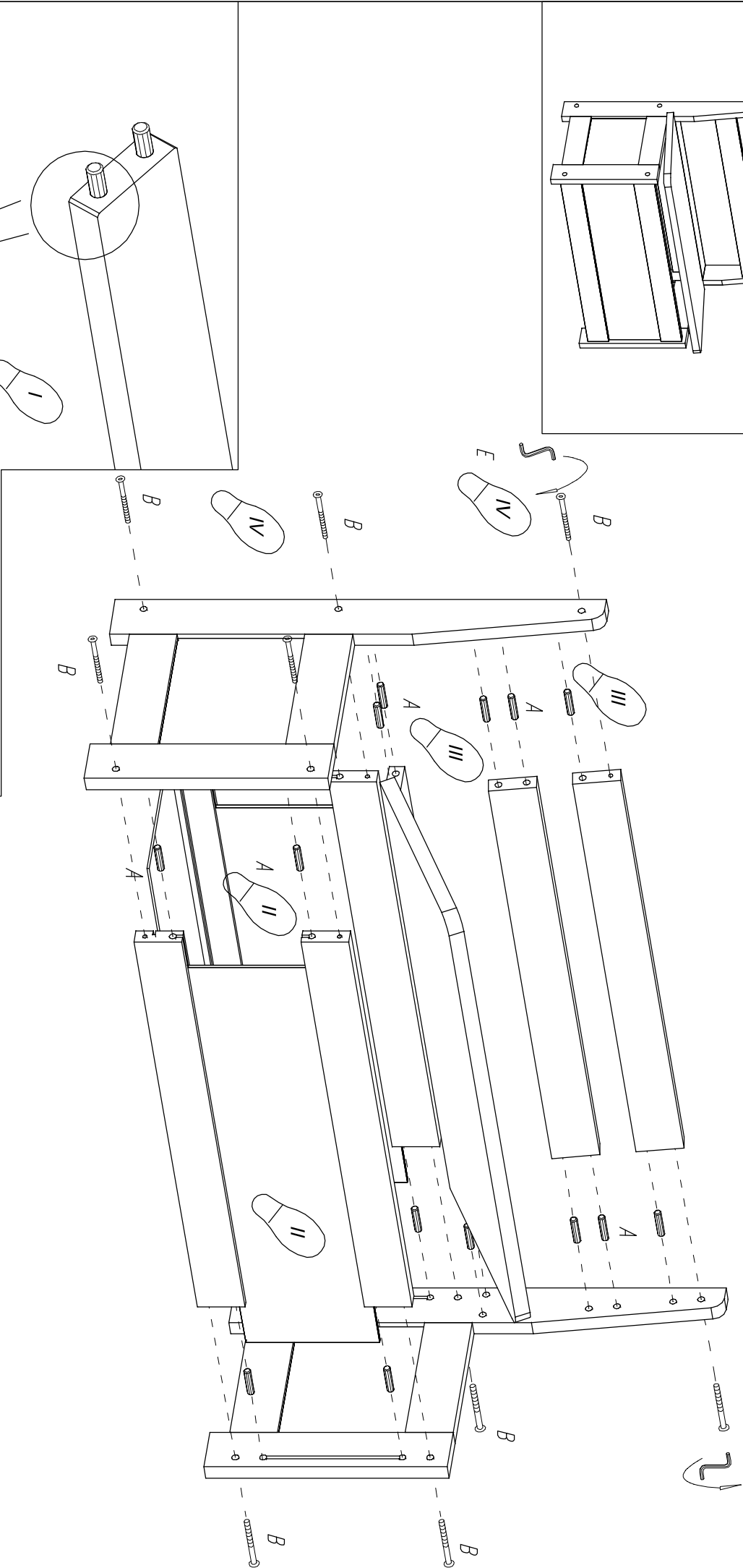
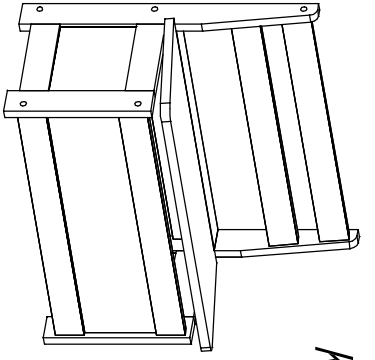
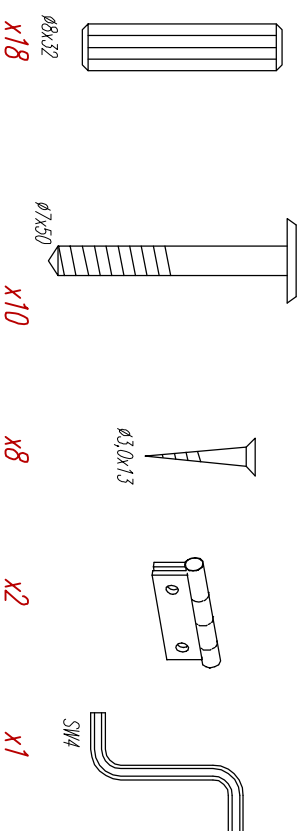


- A  $\varnothing 8 \times 32$ x10
- B  $\varnothing 7 \times 50$ x6
- C  $\varnothing 4 \times 40$ x4
- D  SM4 x1

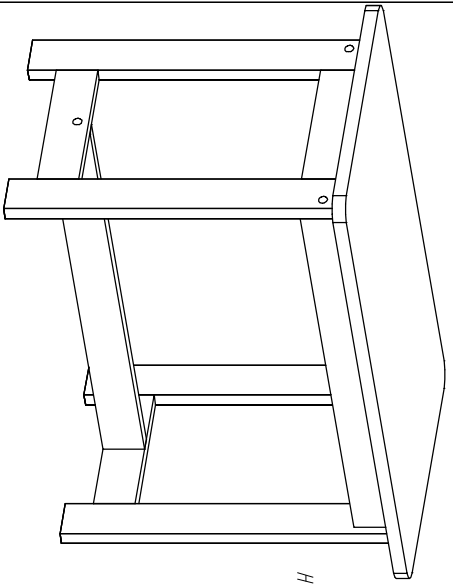
KD21



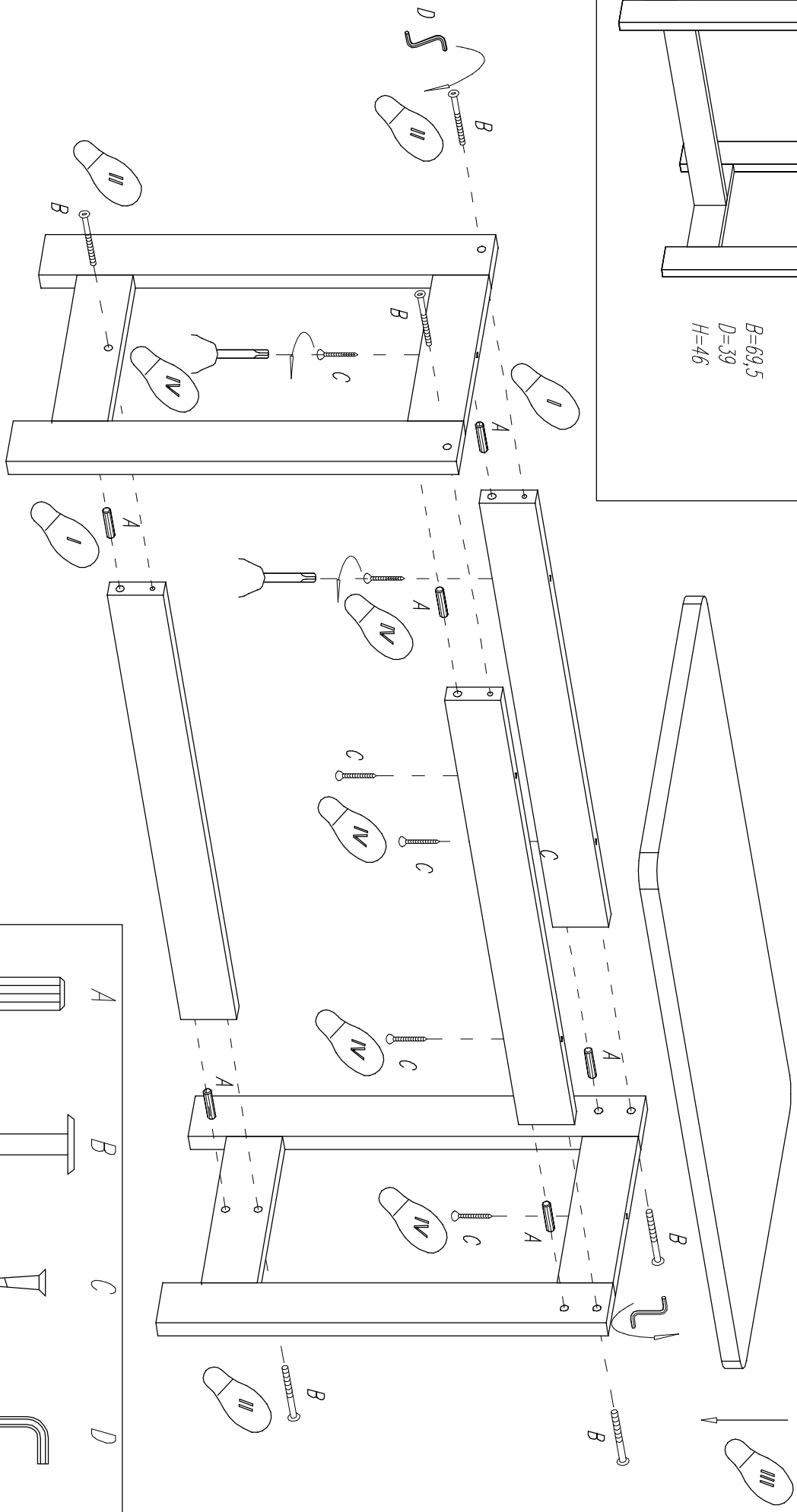
- A
- B
- C
- D
- E



KD31



Δ [cm]
H
B
D
B=69,5
D=39
H=46



	A	x6
	B	x6
	C	x6
	D	x1