




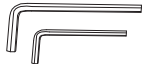



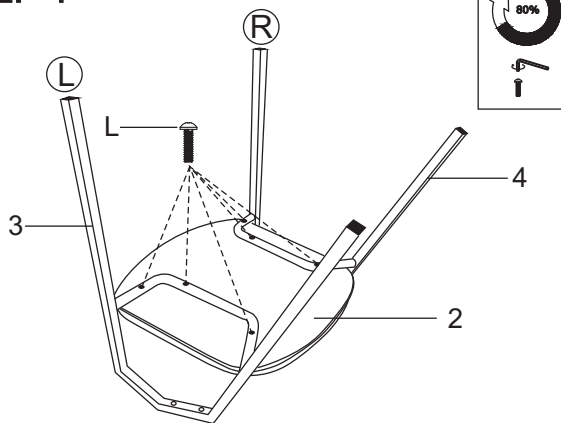


CLAN

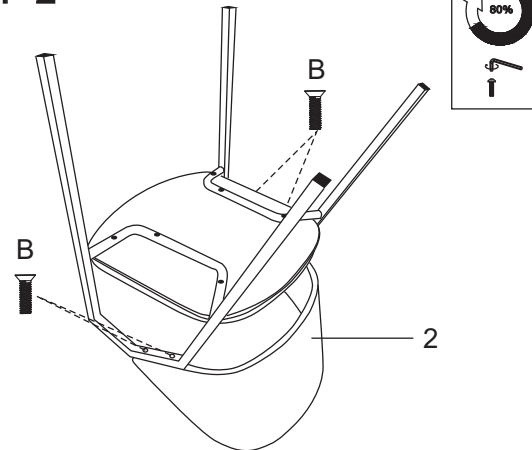
dining chair

1*1		A*6+1EXT	 M6*35MM
2*1		B*4+1EXT	 M6*20MM
3*1		G*2	
4*1			

STEP 1



STEP 2



STEP 3

