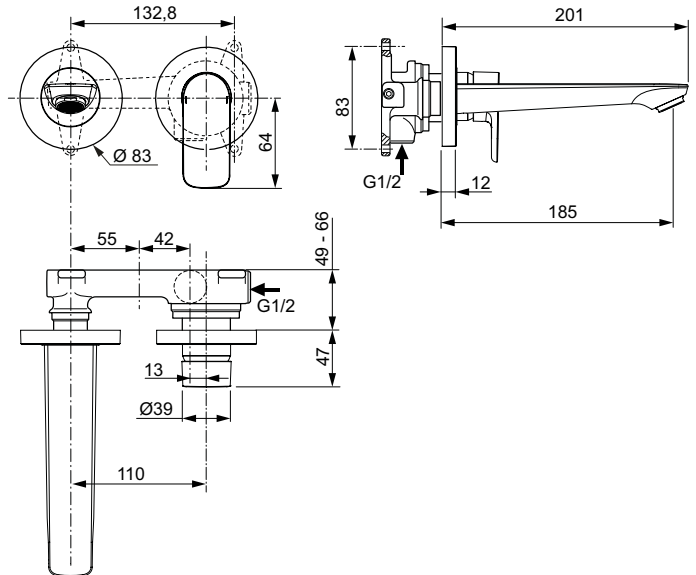




Ideal Standard

BASIN MIXER

Connect Air



Article-No.: A7029AA

Built-in basin mixer with cast spout 185 mm

Connect Air built-in basin mixer - Kit 2, with cast spout 185 mm, 28 mm cartridge, aerator Perlator M24x1, metal handle with red and blue colour indication - printed on handle. Round escutcheons separate for handle and spout. To be used only in combination with A5948NU Kit1 (internal part).

Colour: AA - Chrome

Technology: FirmaFlow

More product details:

Type:	Kit 2
Mounting:	Built-in
Operation Type:	Single lever
Style:	Contemporary
Accreditations:	DIN EN 817, DIN 4109 Gruppe 1
Operation Pressure (bar):	3
Flow Rate (litre):	5
Net Weight (kg):	1,437
Material:	Chrome plated brass
Designer:	Studio Levien
Height (mm):	106
Width (mm):	193
Depth (mm):	201
Certificate Number:	EN 817