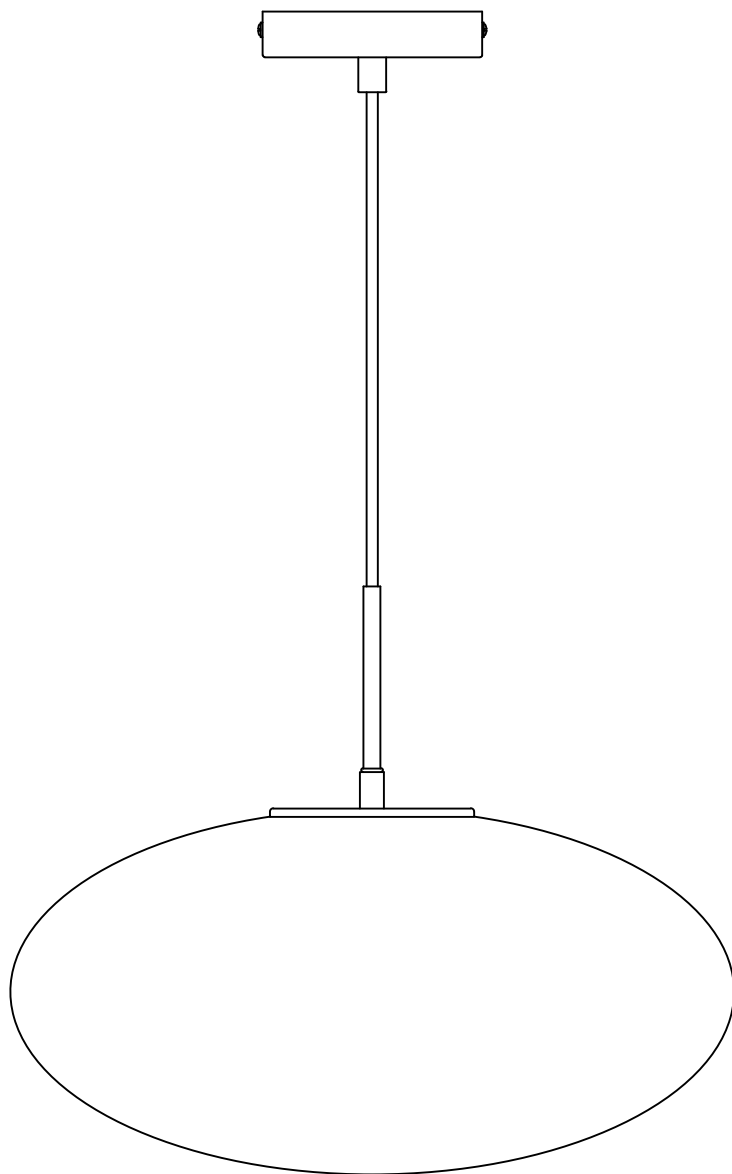
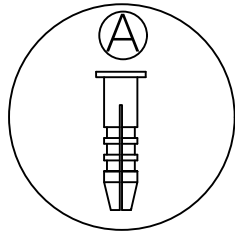
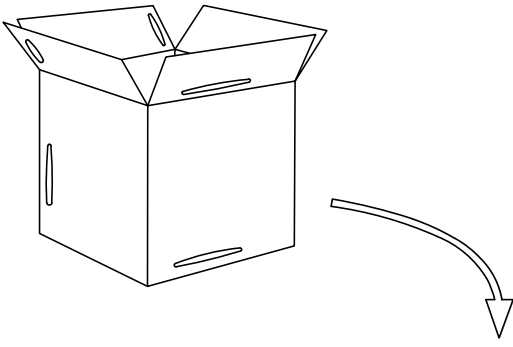


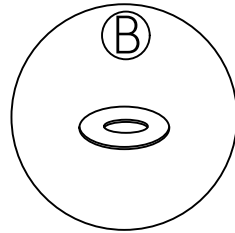
# Muse Pendant Ellipse



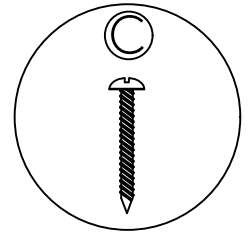
Hübsch  
DANISH HOME INTERIOR & DESIGN



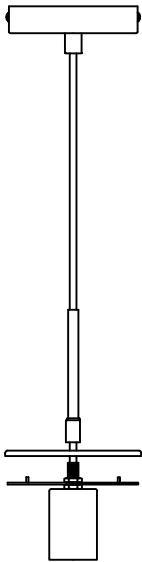
x 2



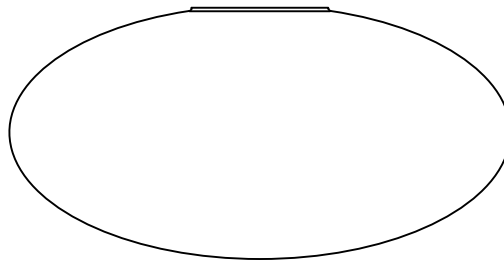
x 2



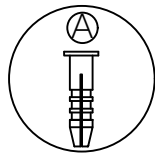
x 2



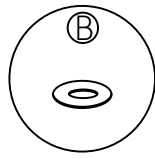
x 1



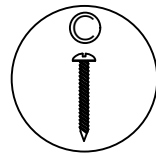
x 1



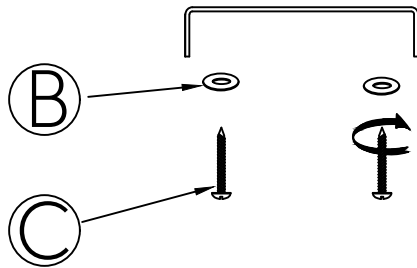
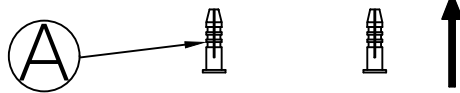
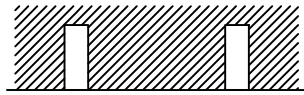
x 2

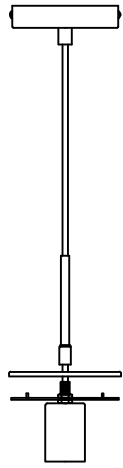


x 2

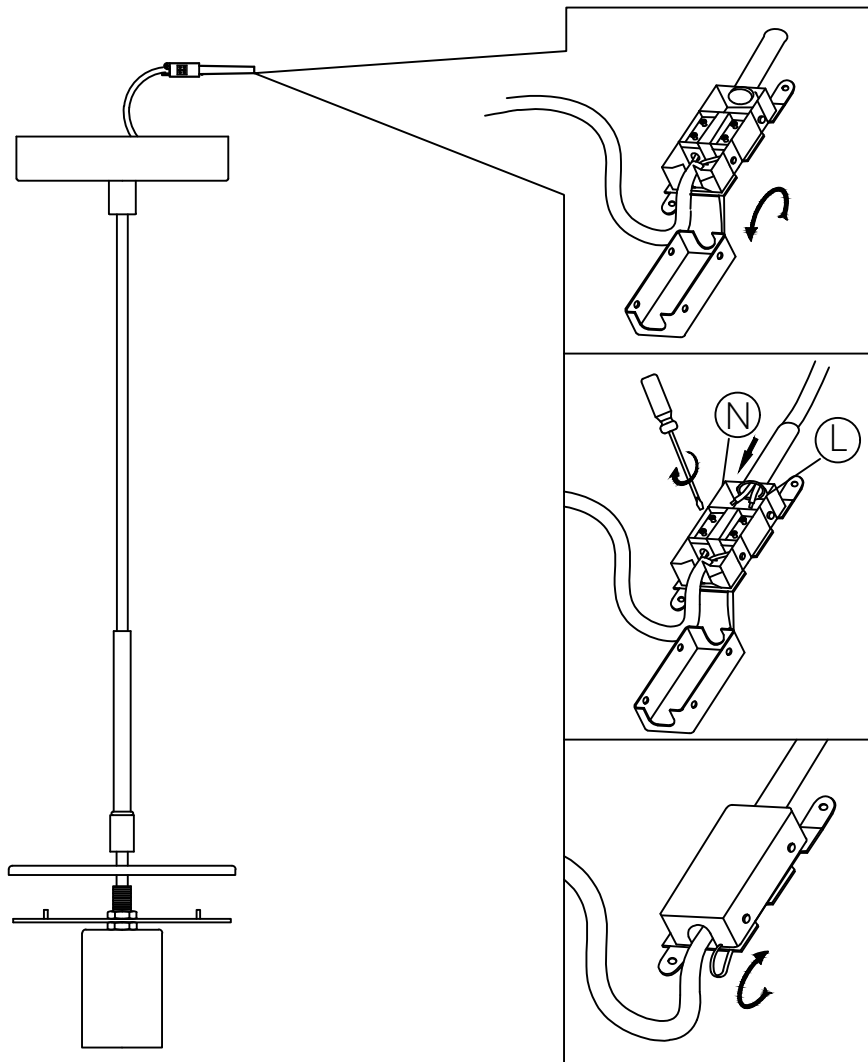


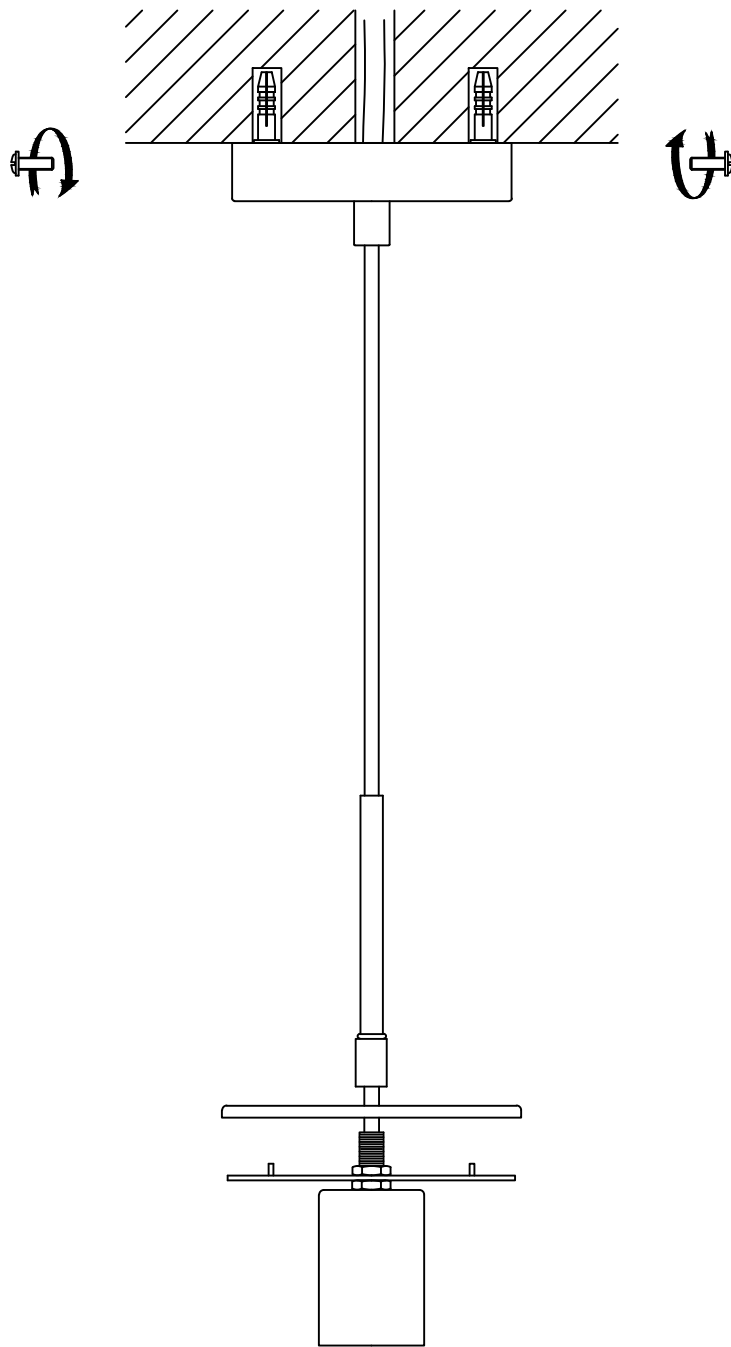
x 2

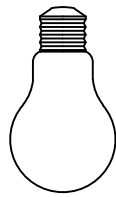
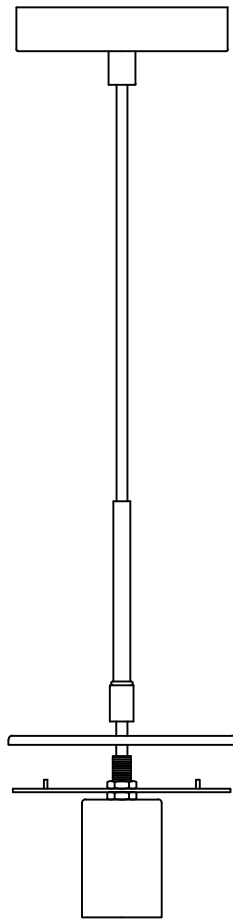


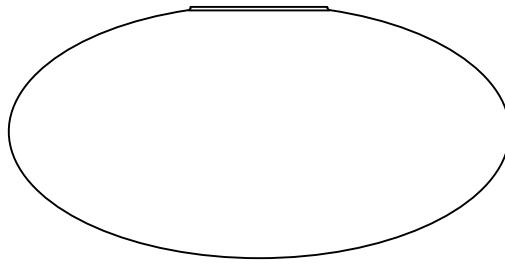


x 1

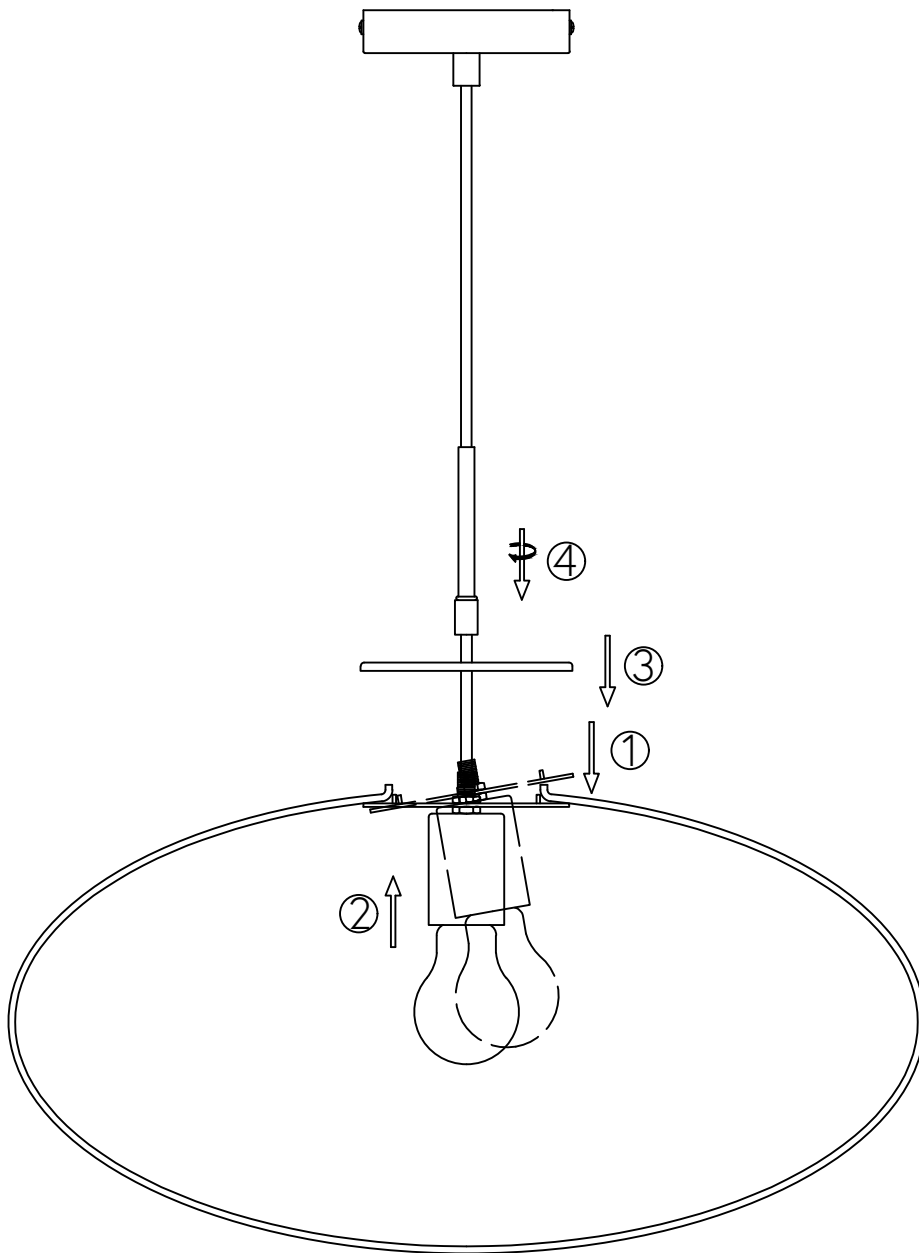


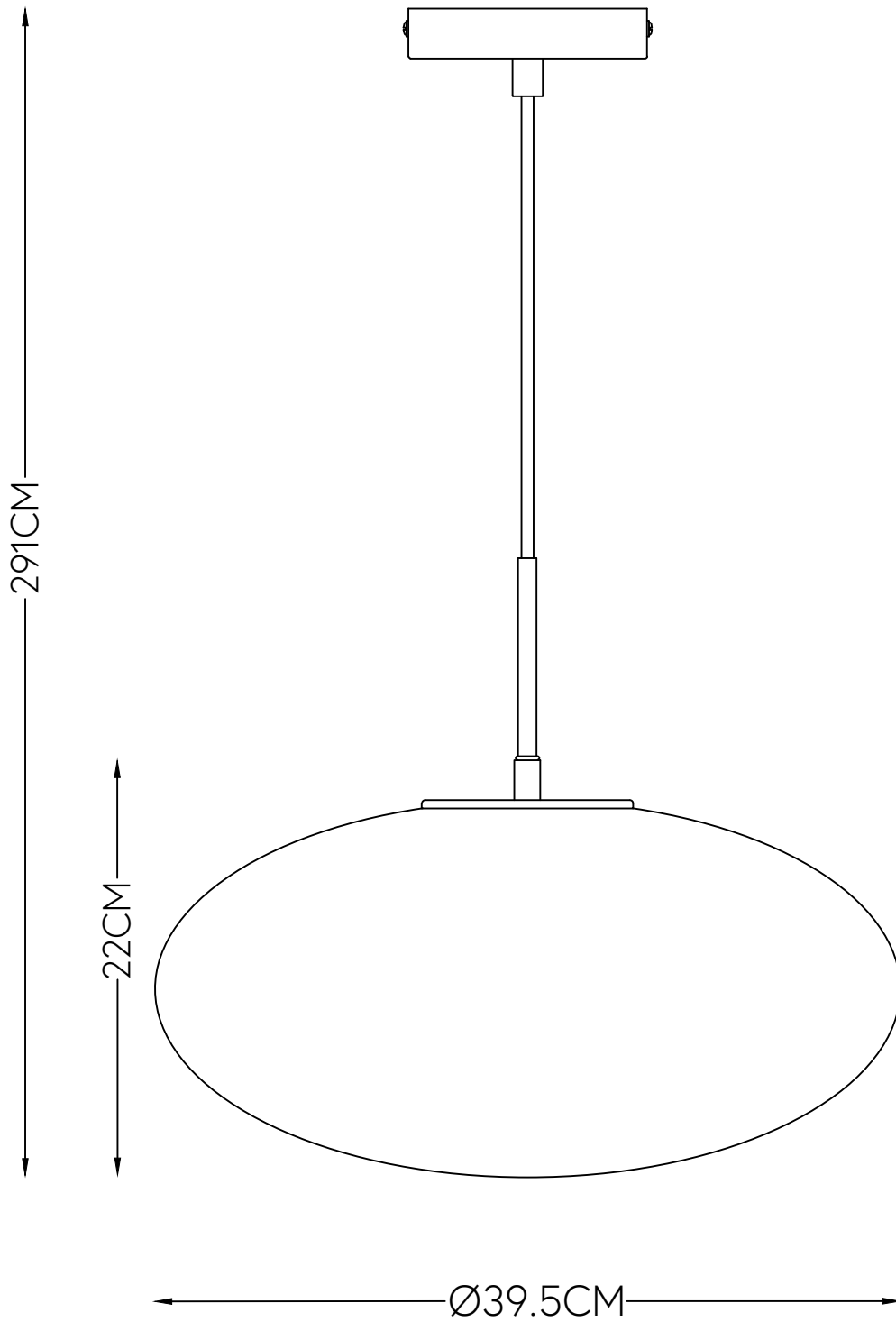






x 1





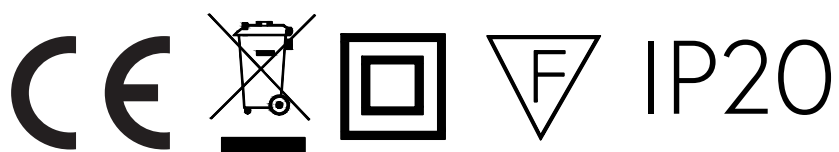


Model number:990821

220-240V~ 50Hz

E27 MAX.15W LED Bulb

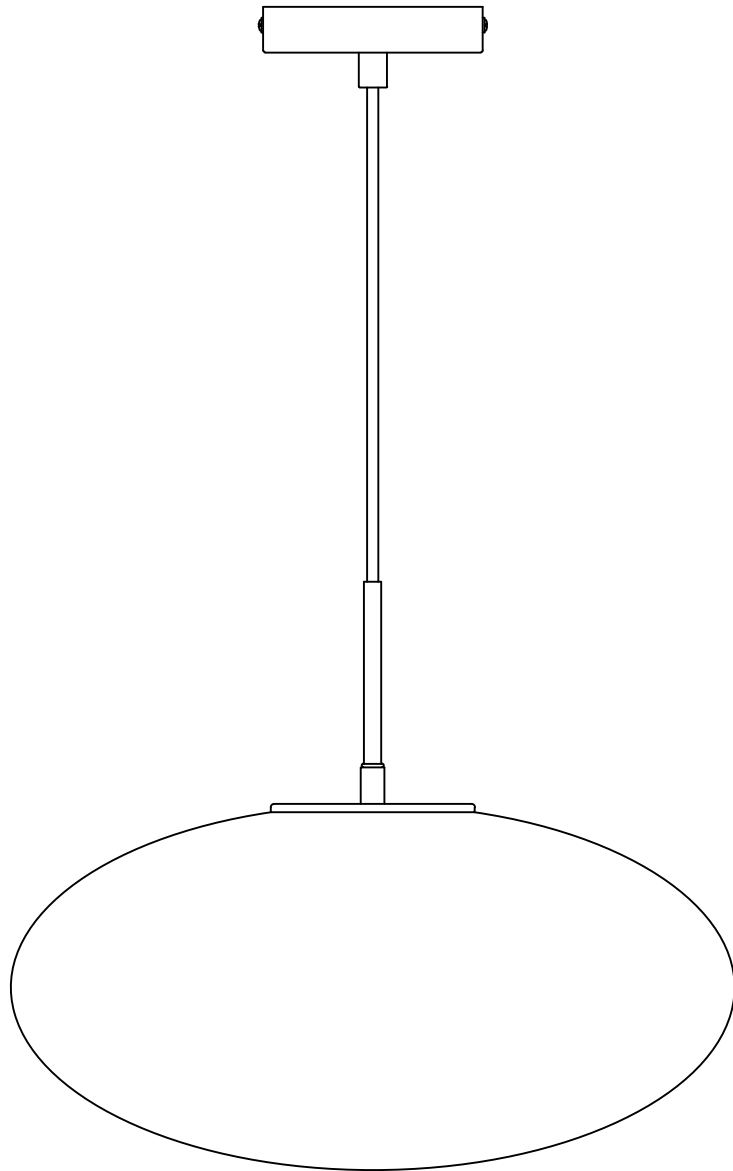
Hübsch A/S,Hi-Park 381,DK-7400 Herning



[hubsch-interior.com](http://hubsch-interior.com)







**#myhubsch @hubschinterior**

**Hübsch**  
DANISH HOME INTERIOR & DESIGN