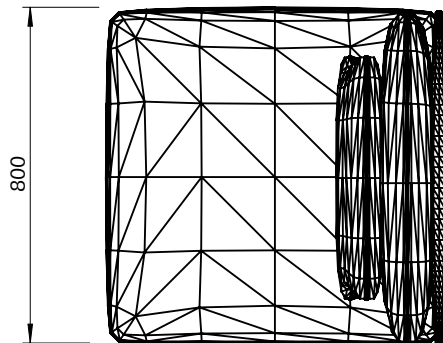
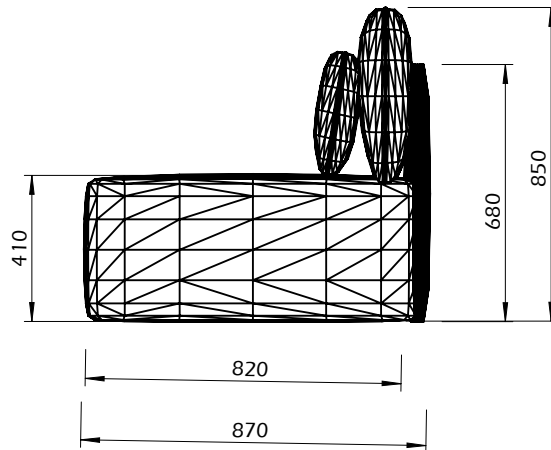
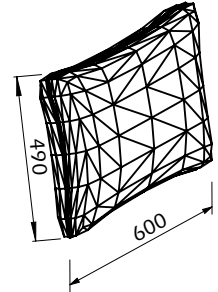
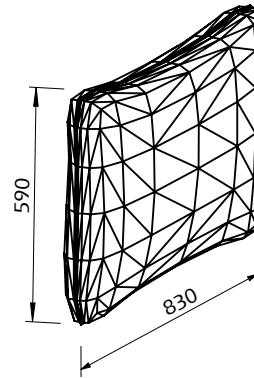
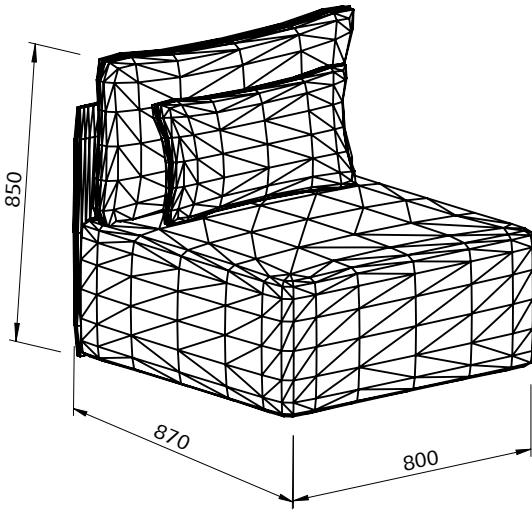


# Technical Information

## DUNE SOFA NO ARMS



TEMAHOME



10min



300kg