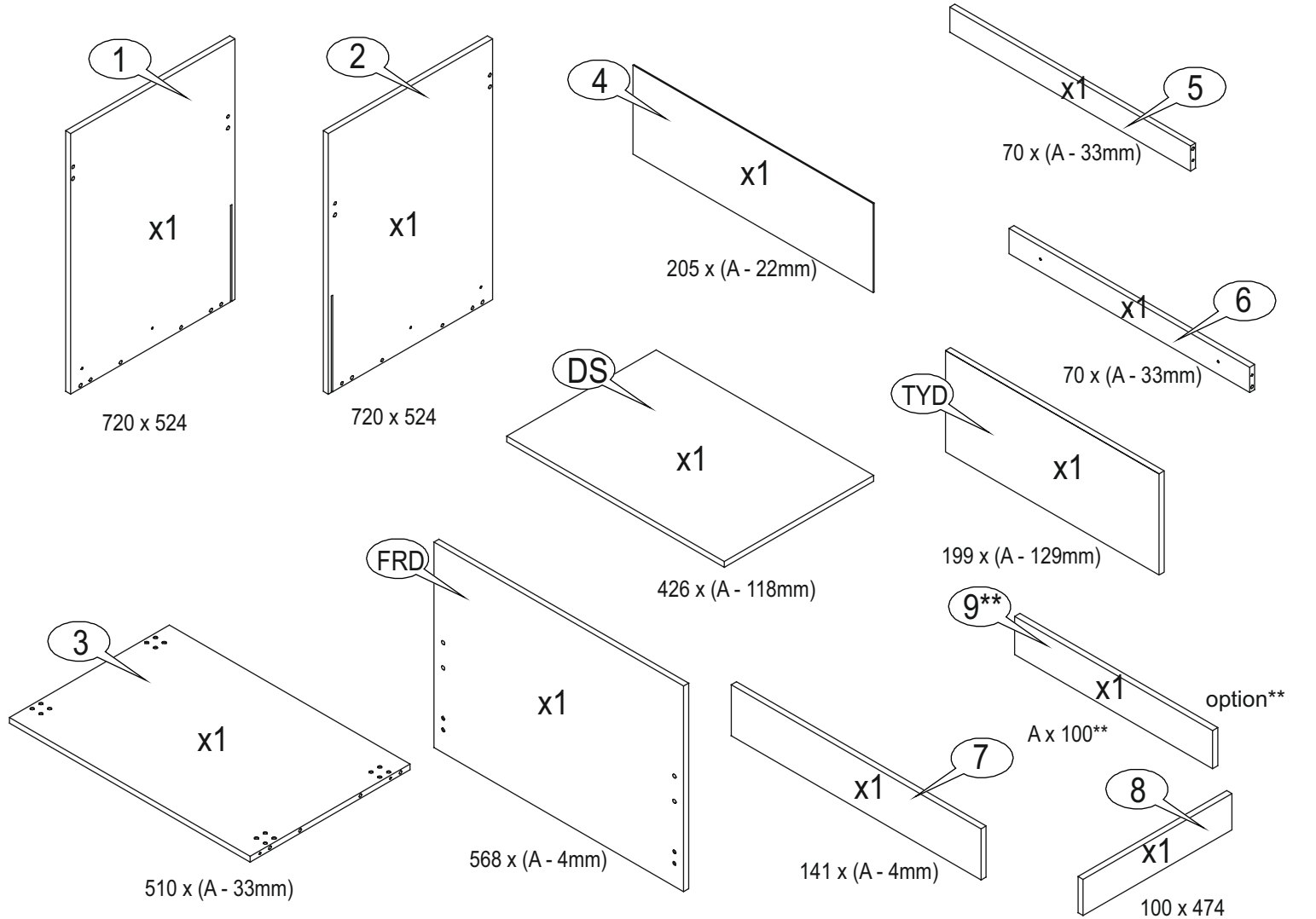
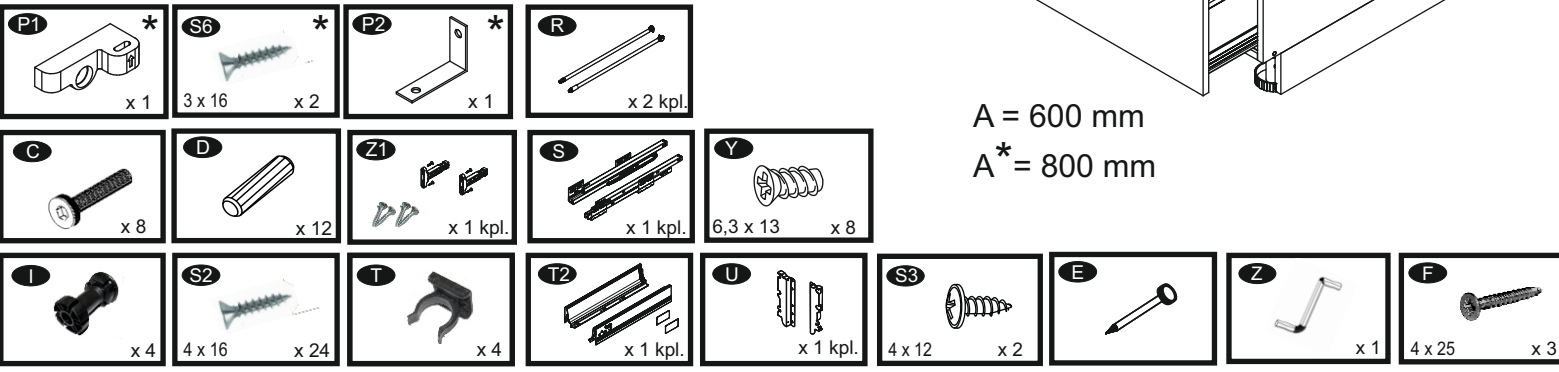
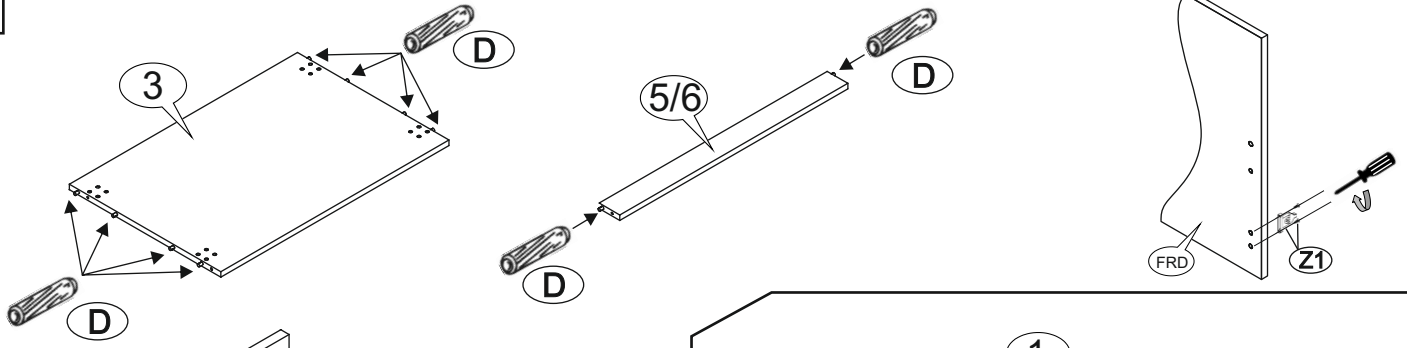


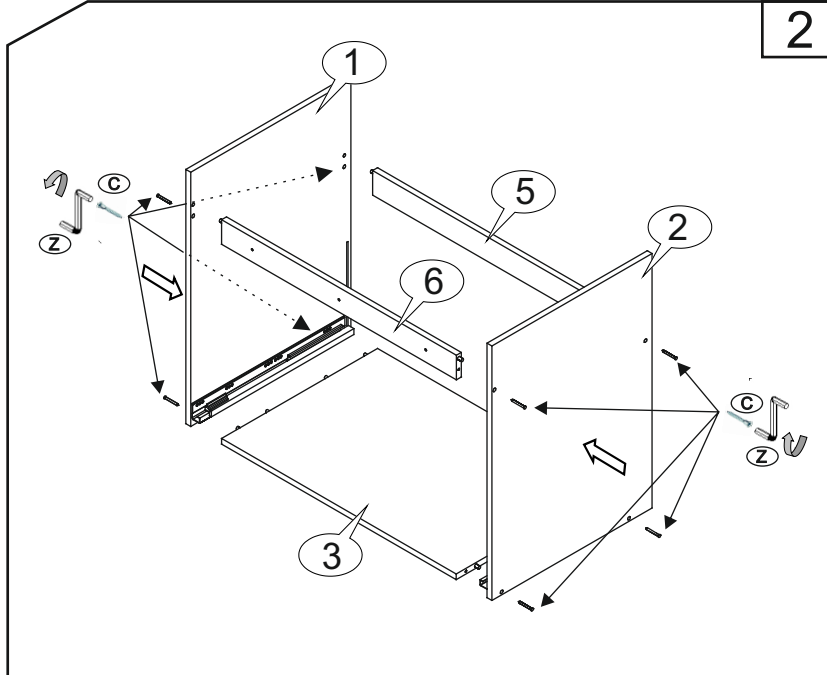
A = 600 mm
A* = 800 mm



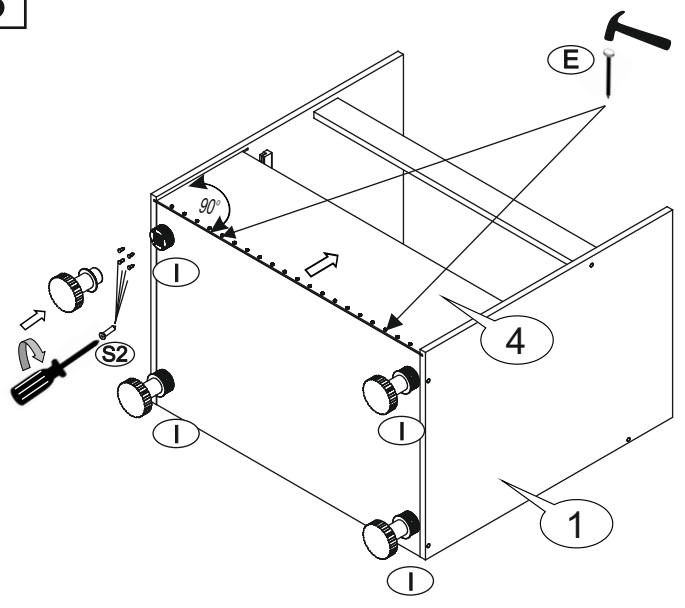
1



2



3



5

