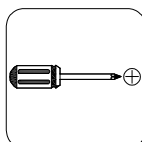
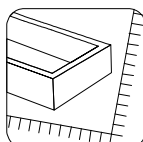
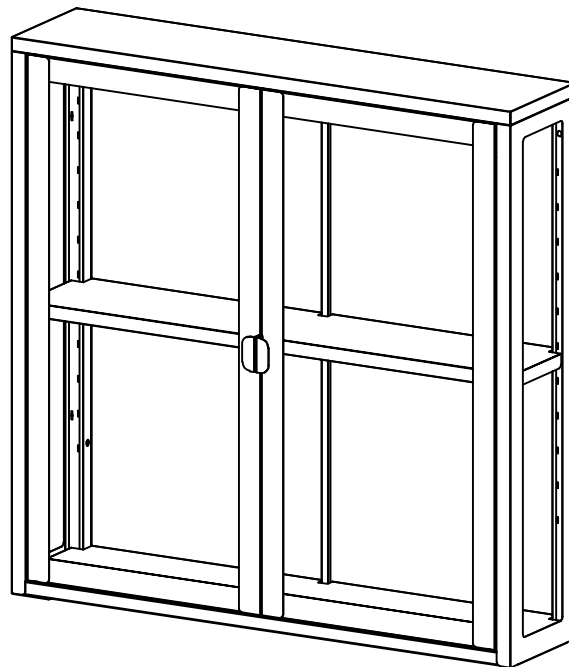
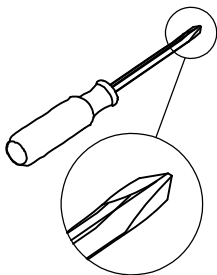
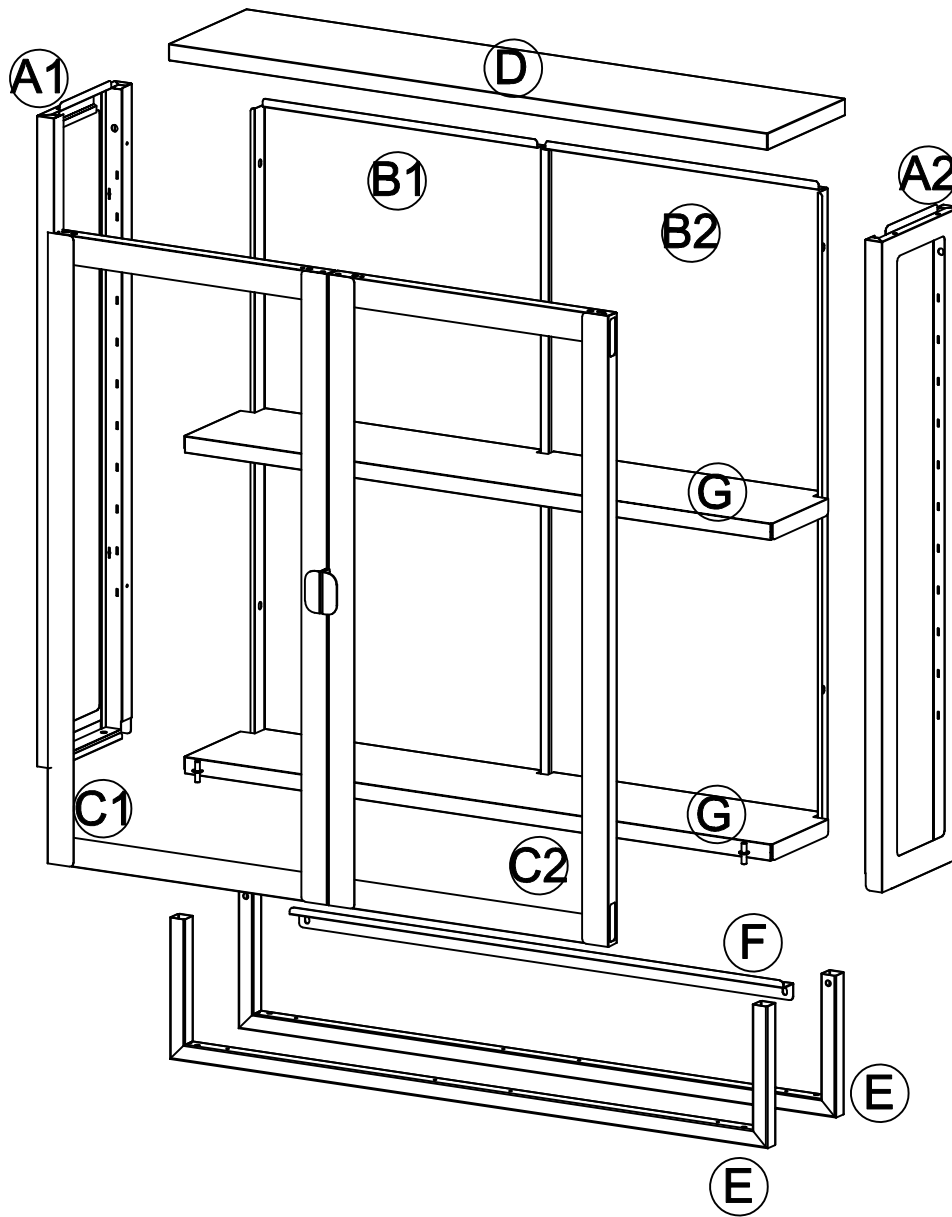


3003010

**HOUSE
NORDIC**

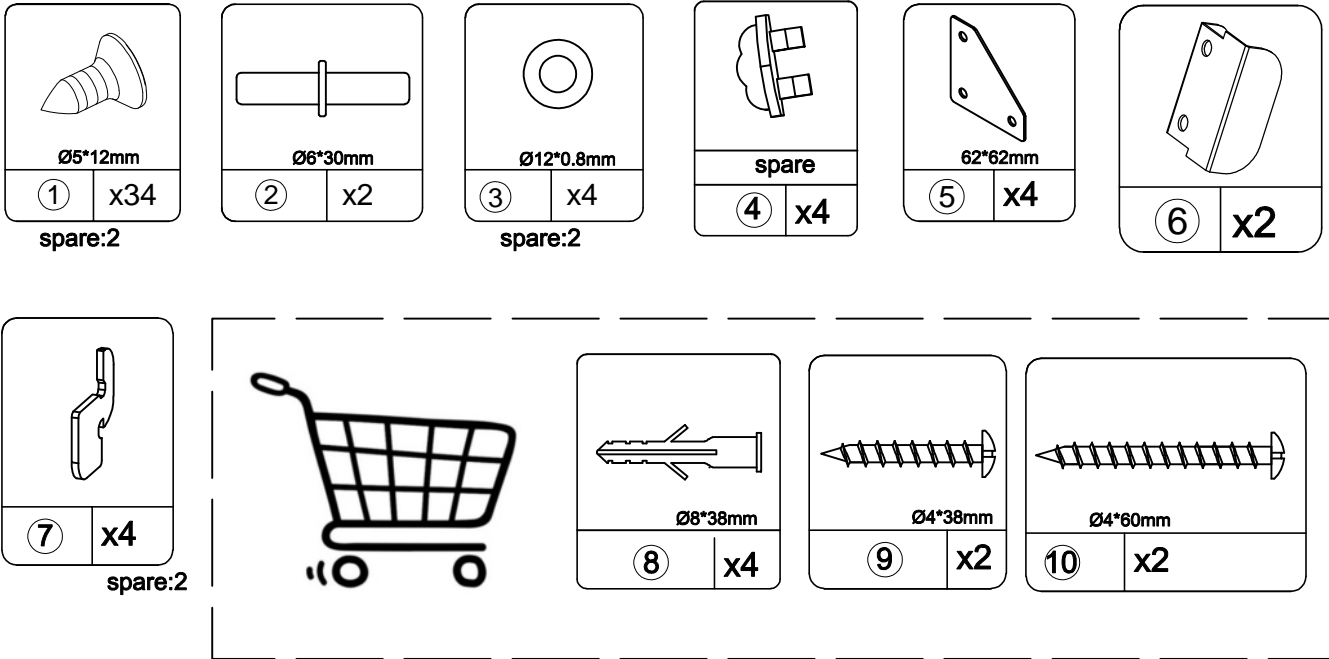
Hanging display cabinet, 2 glass doors, steel, black, 80x18x80 cm



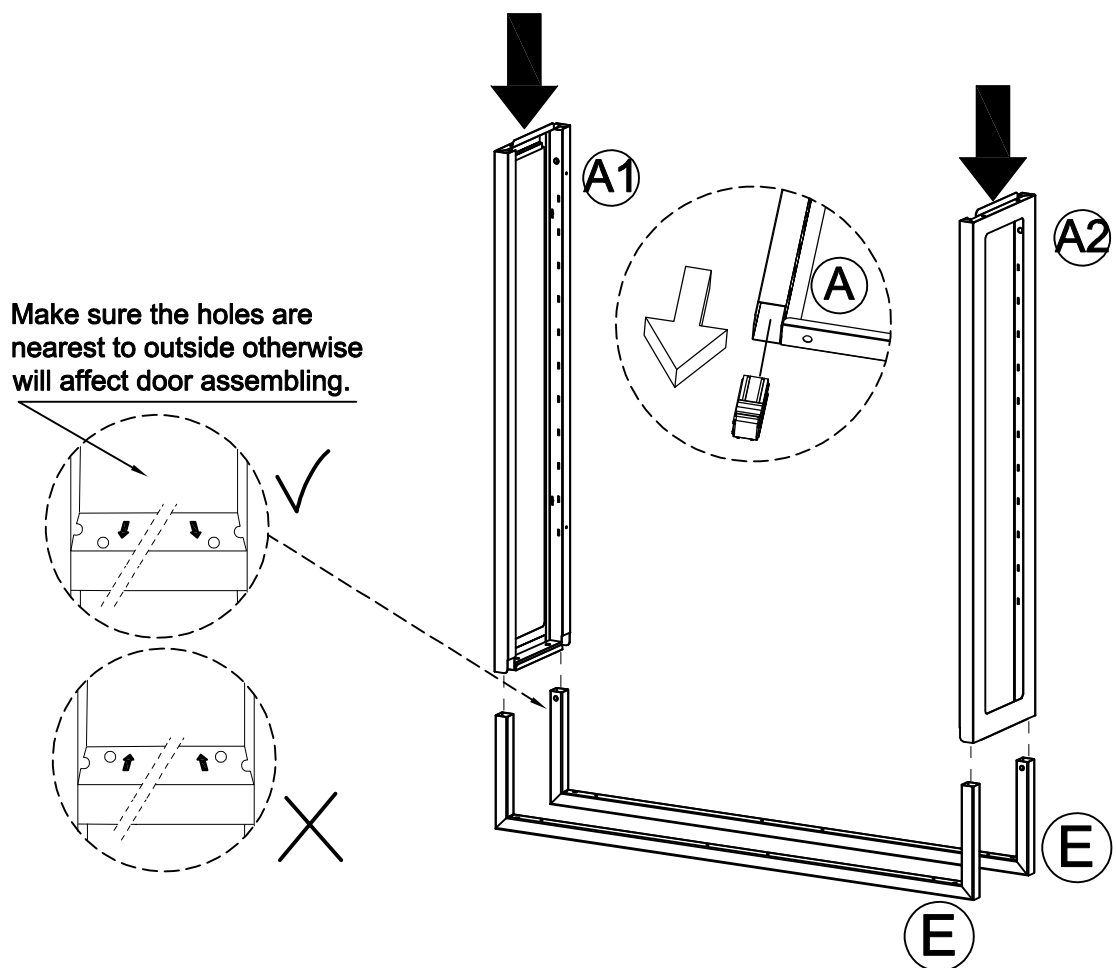


| | | |
|----------|---------|---|
| Hardware | Ctn No. | 1 |
|----------|---------|---|

| No. | Size | Qty |
|-----|----------------|-----|
| A1 | 798x180x23mm | 1 |
| A2 | 798x180x23mm | 1 |
| B1 | 778x393x23mm | 1 |
| B2 | 778x380x23mm | 1 |
| C1 | 756x374.5x20mm | 1 |
| C2 | 756x374.5x20mm | 1 |
| D | 800x180x34mm | 1 |
| E | 170x798.5x20mm | 2 |
| F | 660x29x23mm | 1 |
| G | 786x155x20mm | 2 |

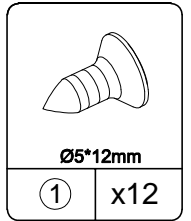
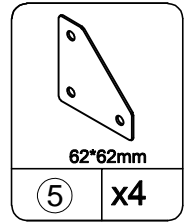
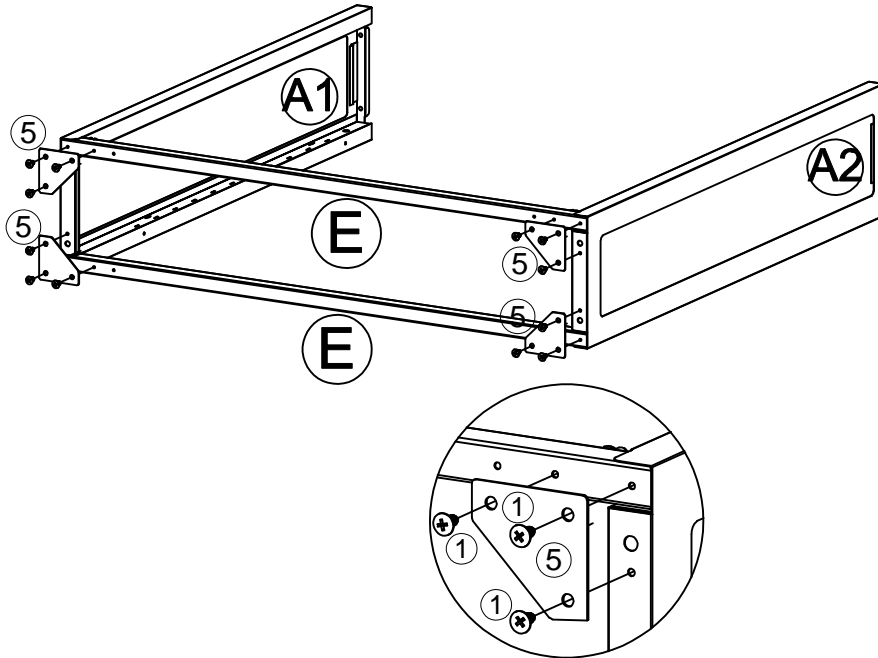


(1) - Attach (A1)&(A2) to (E) as below shown.

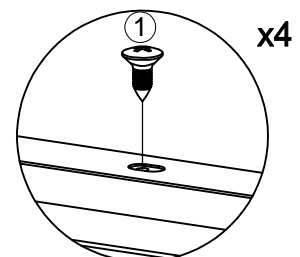
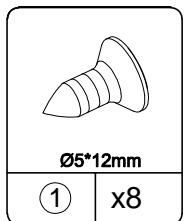
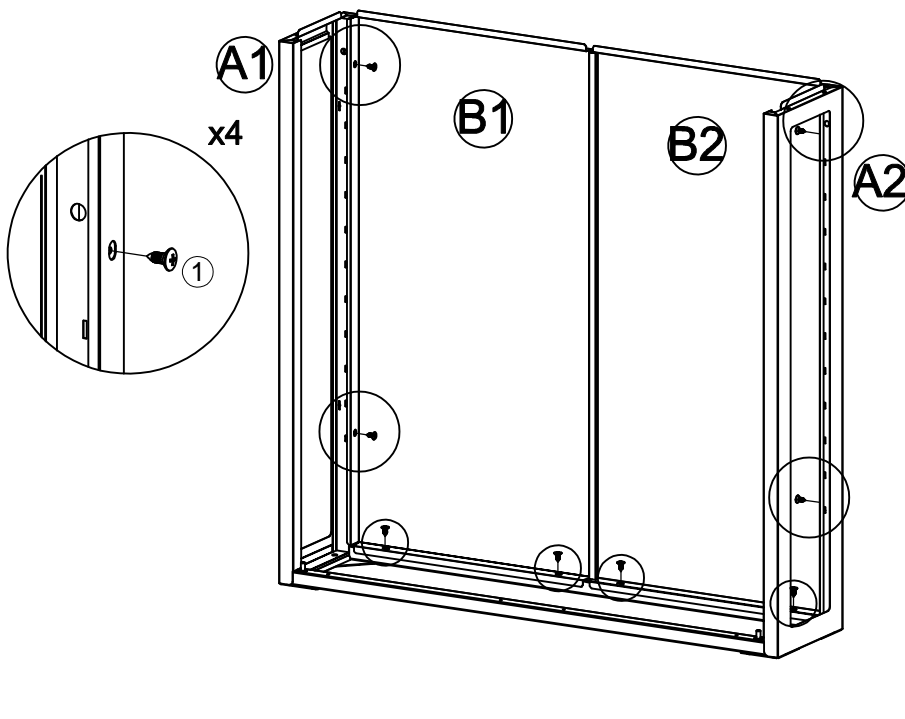


The plastic foot cover face down

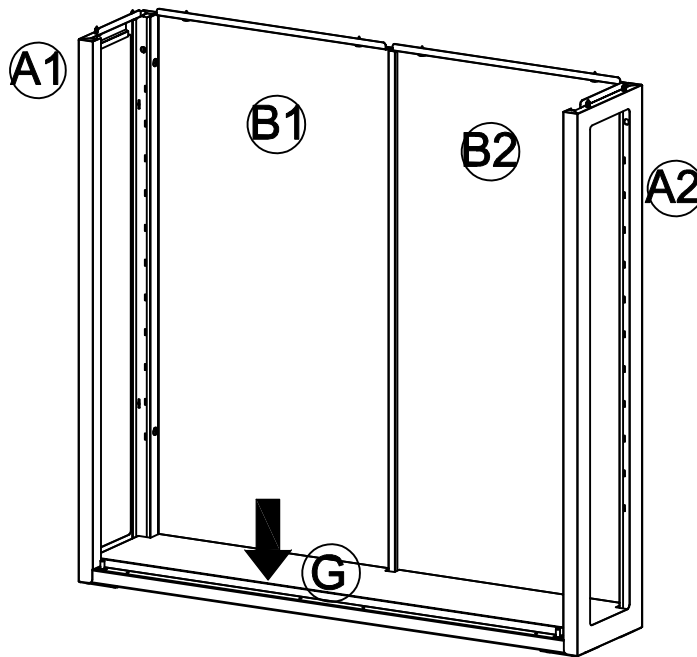
(2) - Attach ⑤ to (A1)&(A2)&(E) as below shown.



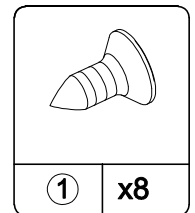
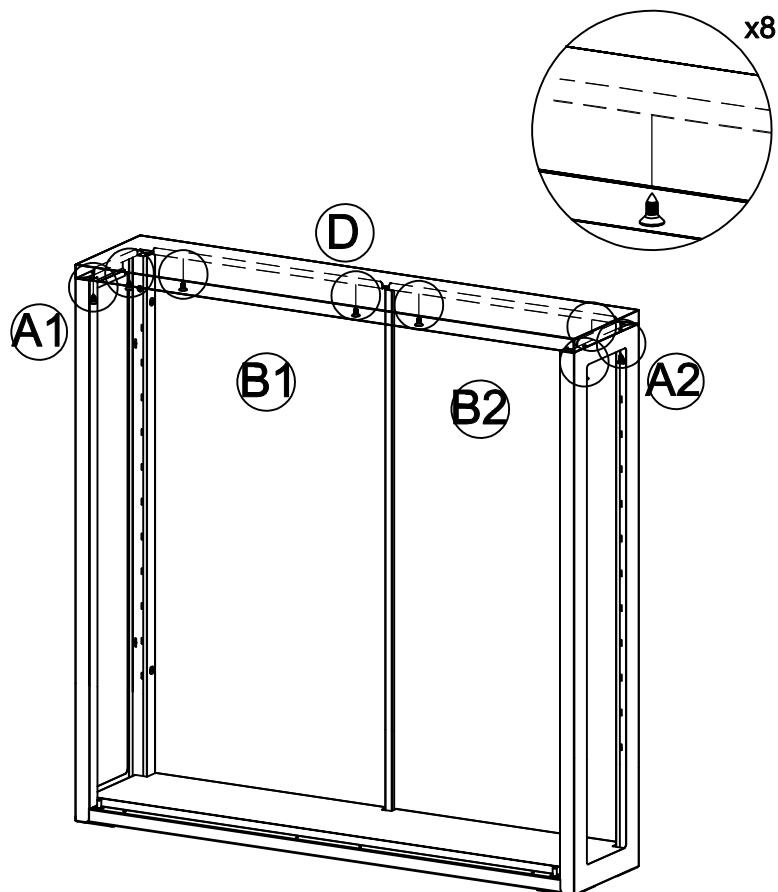
(3) - Attach (B1) &(B2) to (A1)&(A2)&(E) as below shown.



(4) - Attach (G) to (A1)&(A2) as below shown.

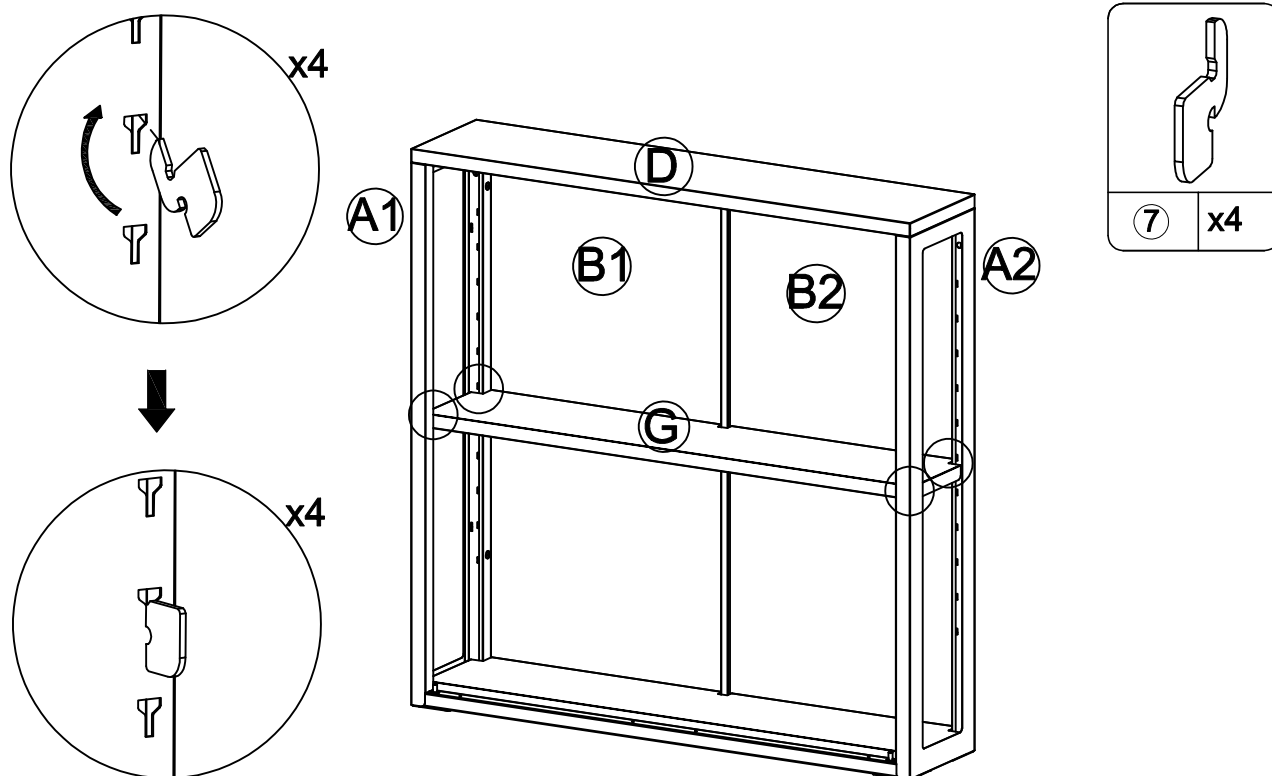


(5) - Attach (D) to (A1)&(A2)&(B1)&(B2) as below shown.

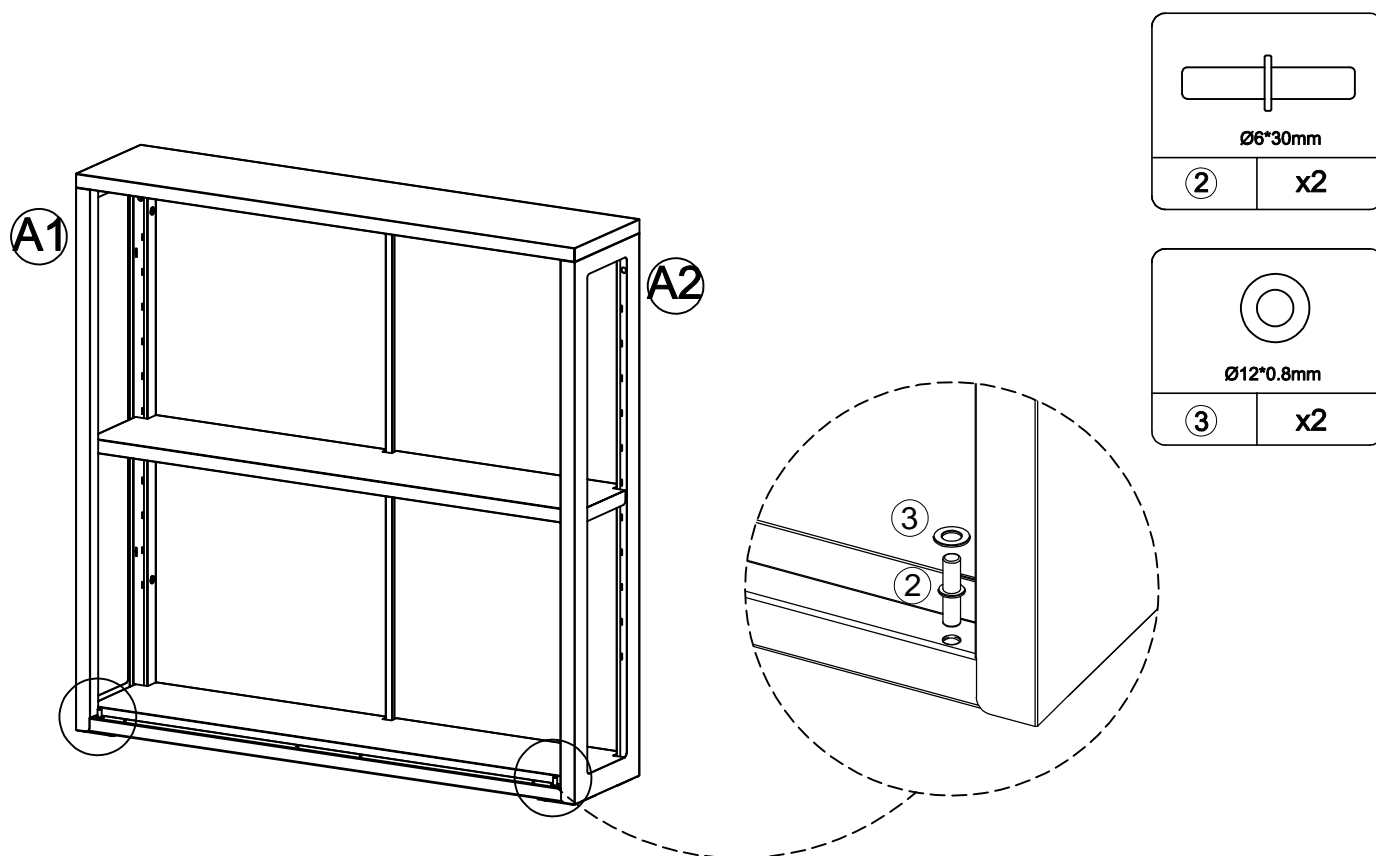


① x8

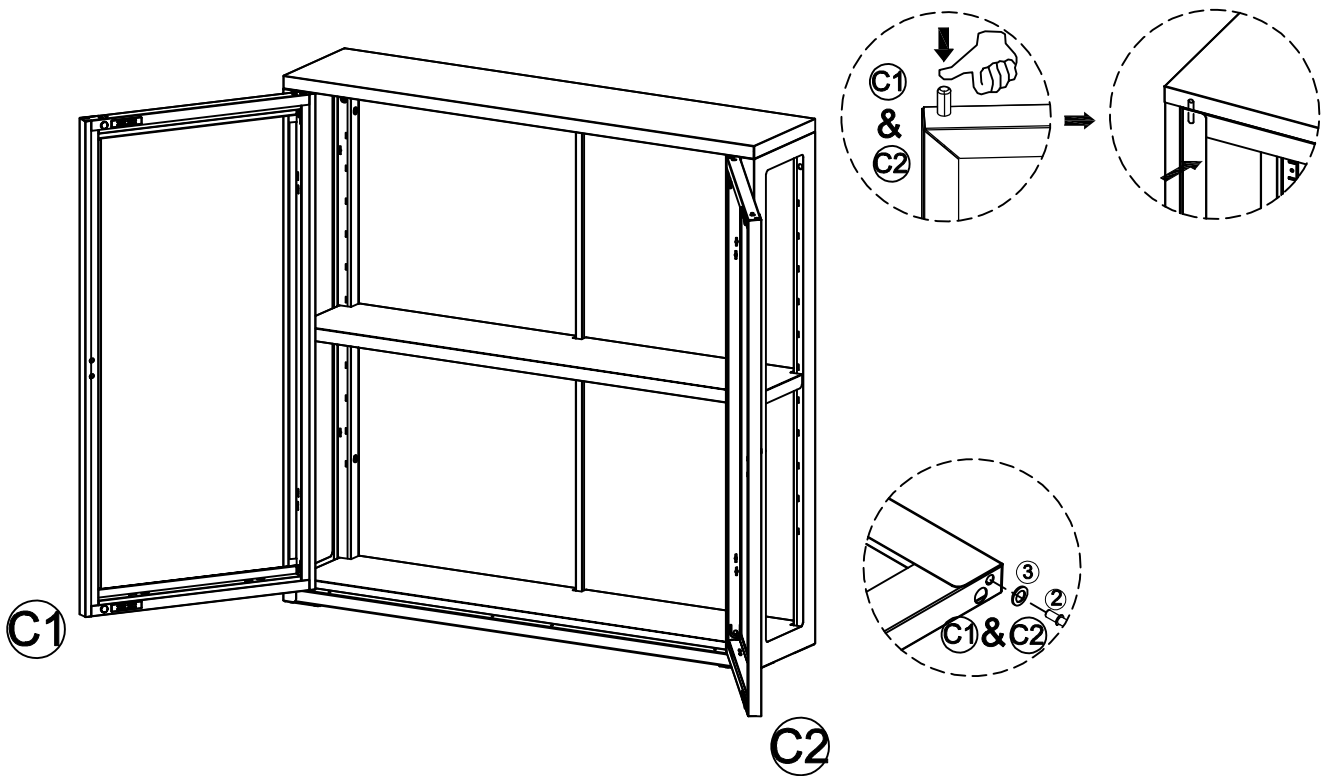
(6) - Attach (G) to pre-assembled unit as below shown.



(7) - Attach (2) & (3) to pre-assembled unit as below shown.



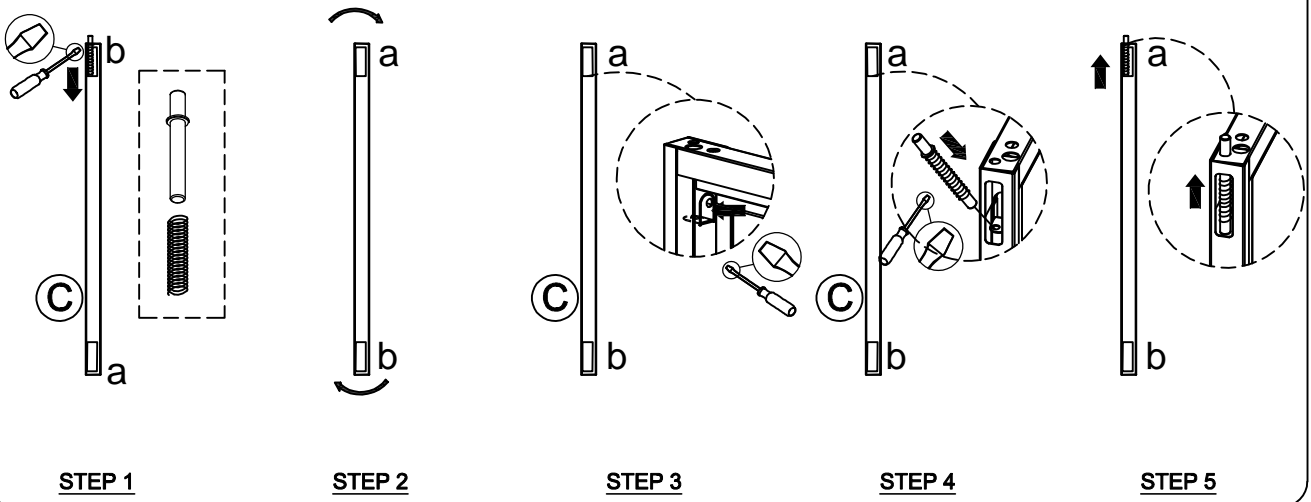
(8) - Attach (C1) & (C2) to pre-assembled unit as below shown.



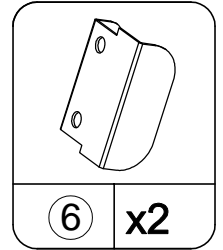
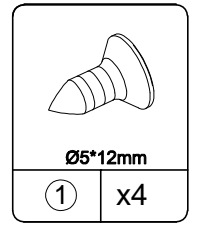
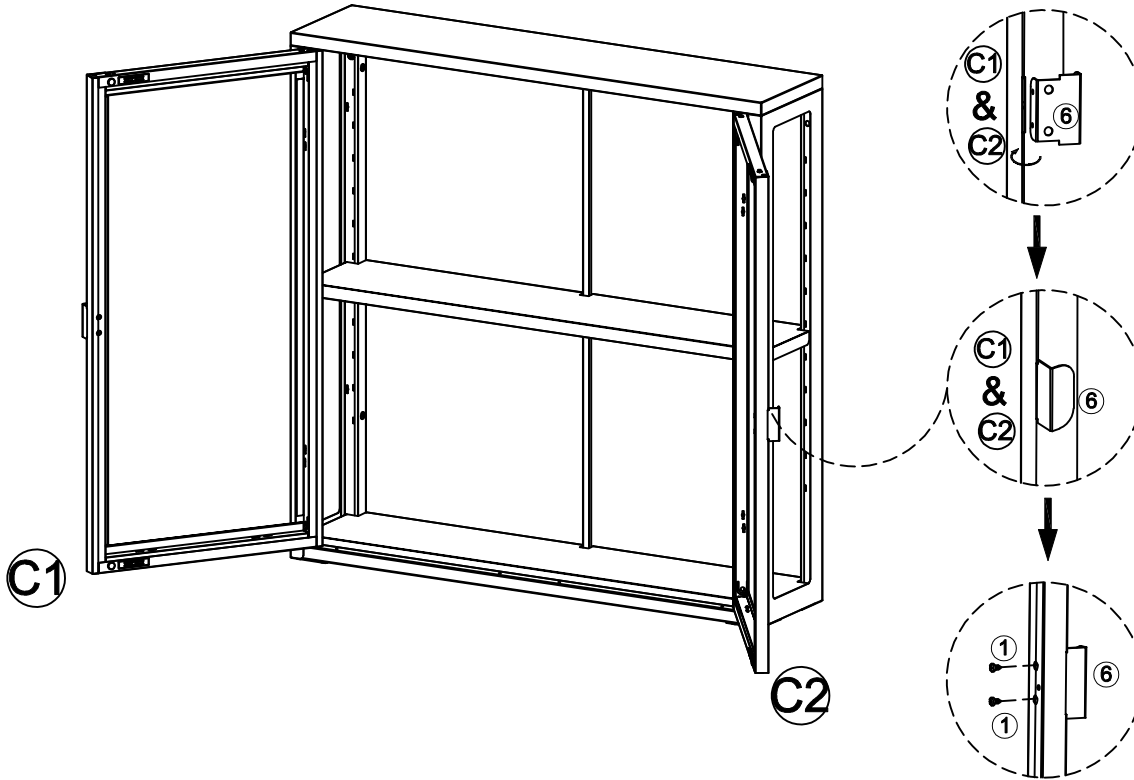
door pillar exchange process

WARNING

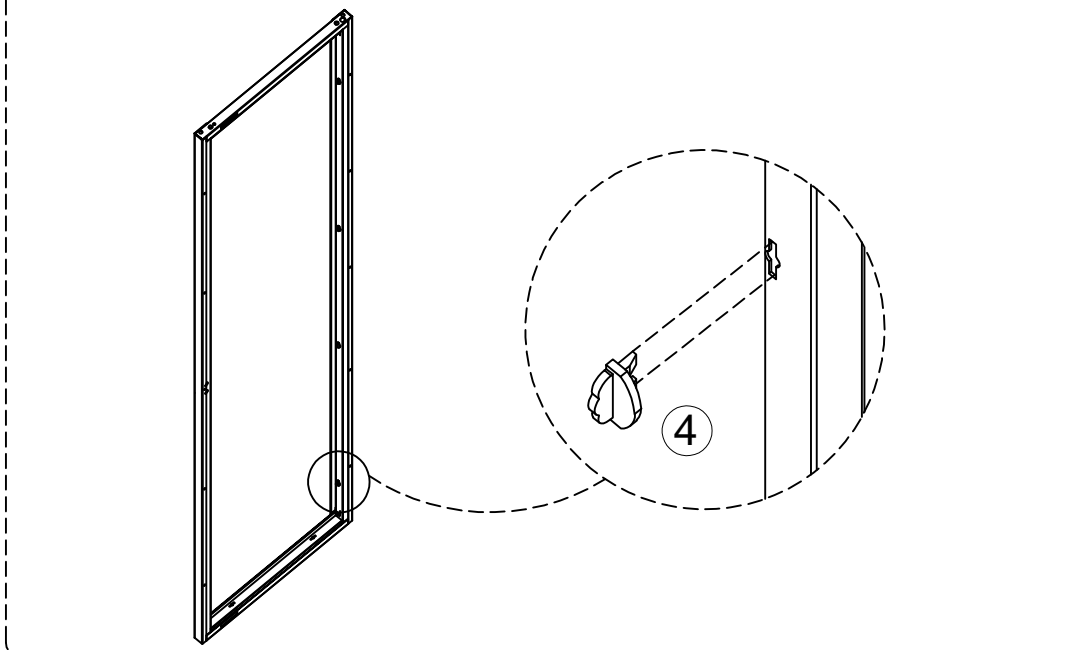
This step is just to switch the left door to the right door!



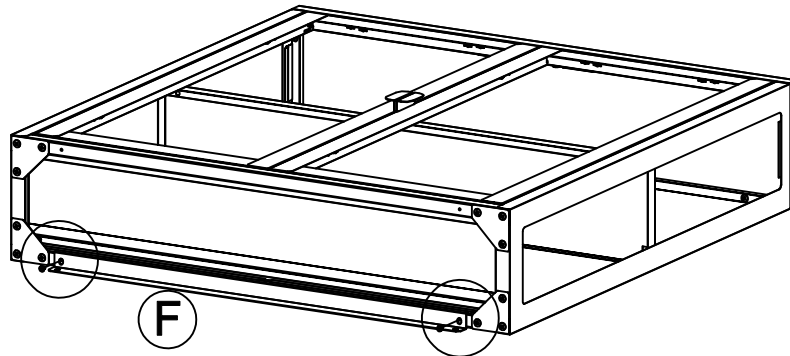
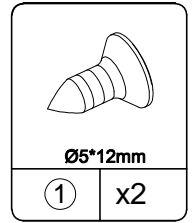
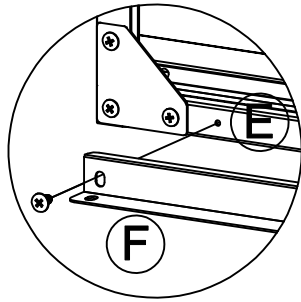
(9) - Attach (6) to (C1) & (C2) as below shown.



spare parts of glass buckle



(10) - Attach (F) to (E) as below shown.



(11)

