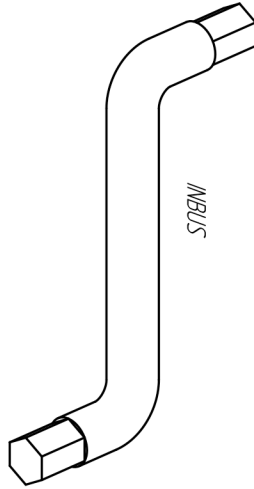


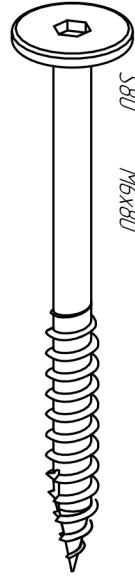
G  
Glue Kleb



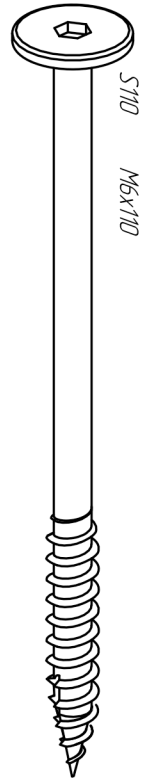
K10  
M10x4,5



INBUS



S80  
M6x80



S110  
M6x110

**RG**

**BR**

S110 - x12

S110 - x6

S80 - x4

S80 - x8

K10 - x12

K10 - x20

G - x3

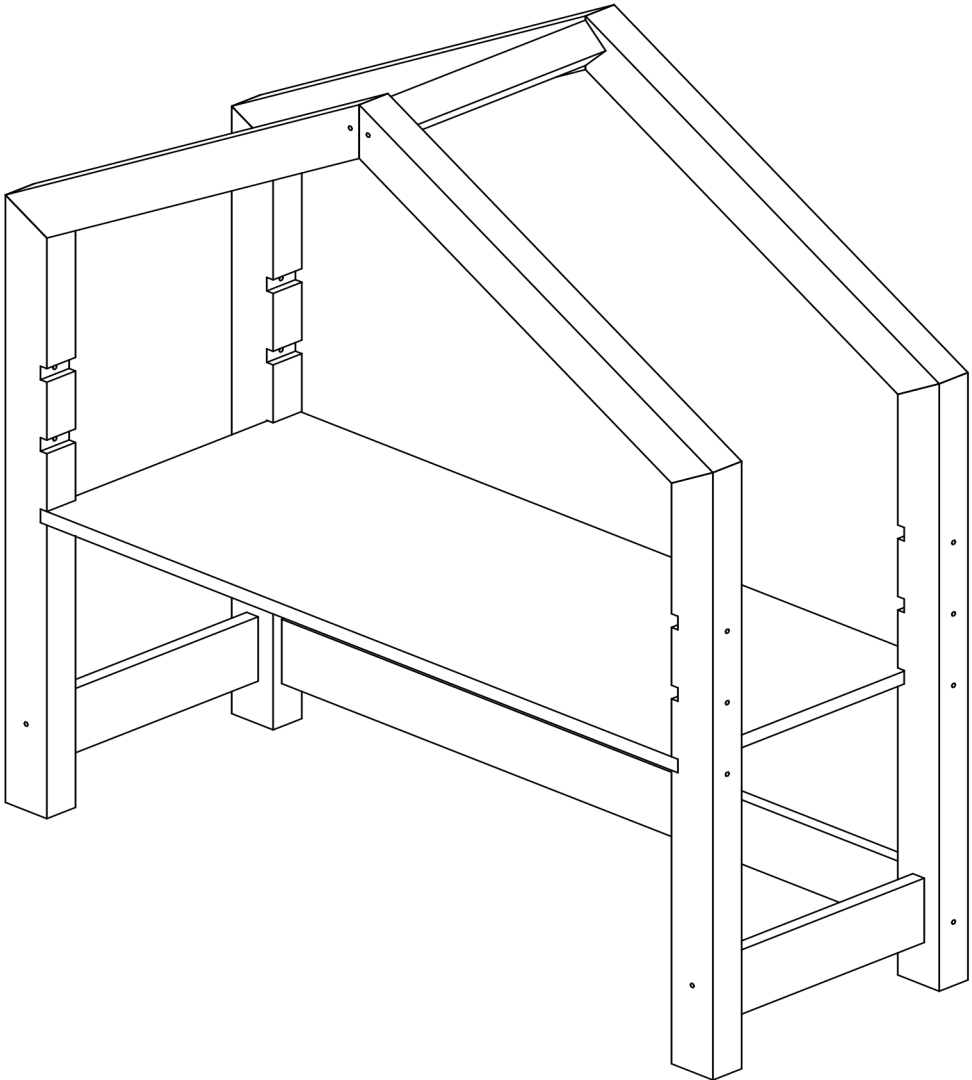
G - x3

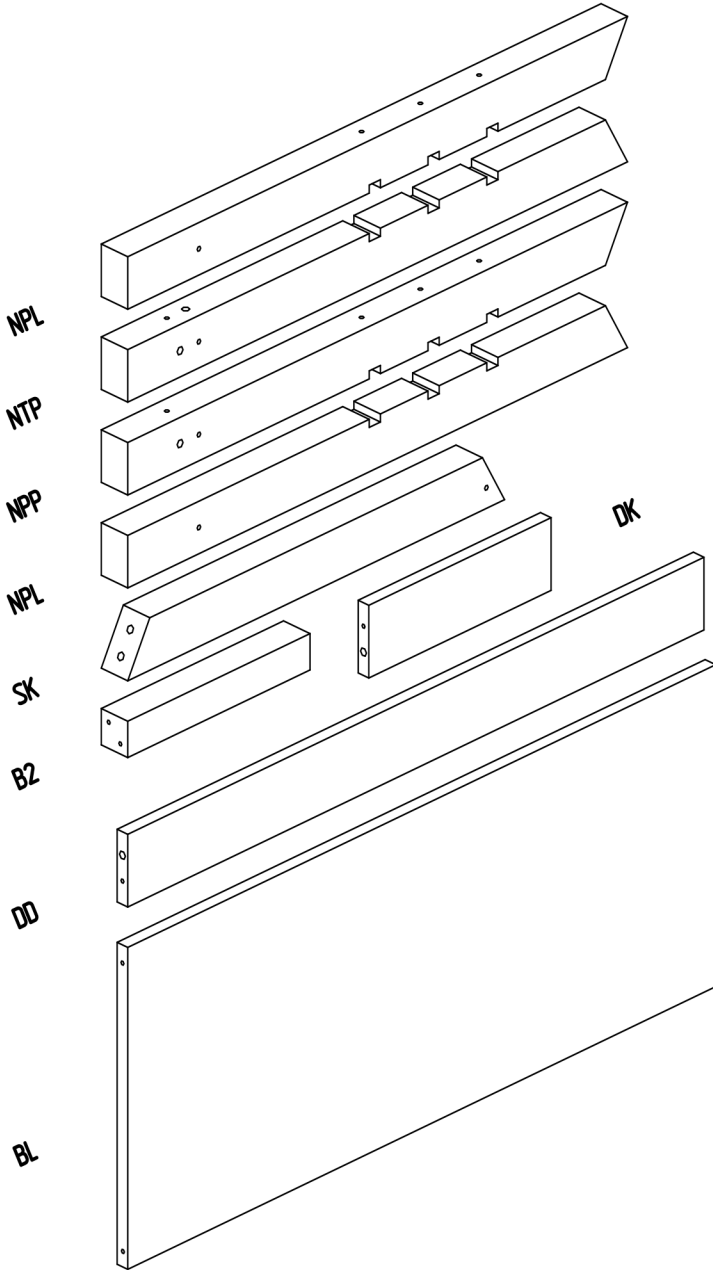
INBUS - x1

INBUS - x1

# BR

40x100





## **BR**

*NPL - x1*

*NTP - x1*

*NPP - x1*

*NPL - x1*

*SK - x4*

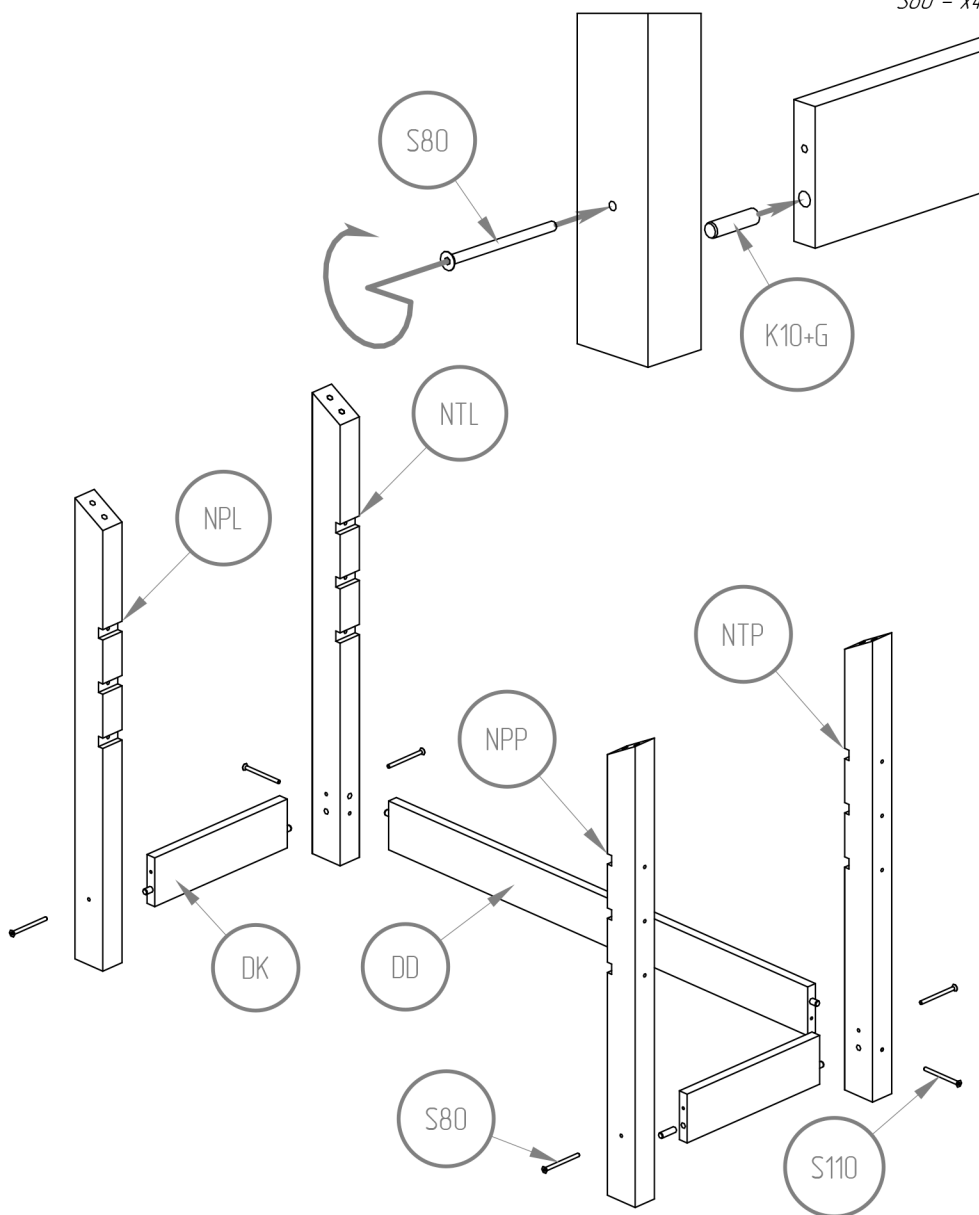
*B2 - x1*

*DD - x1*

*DK - x2*

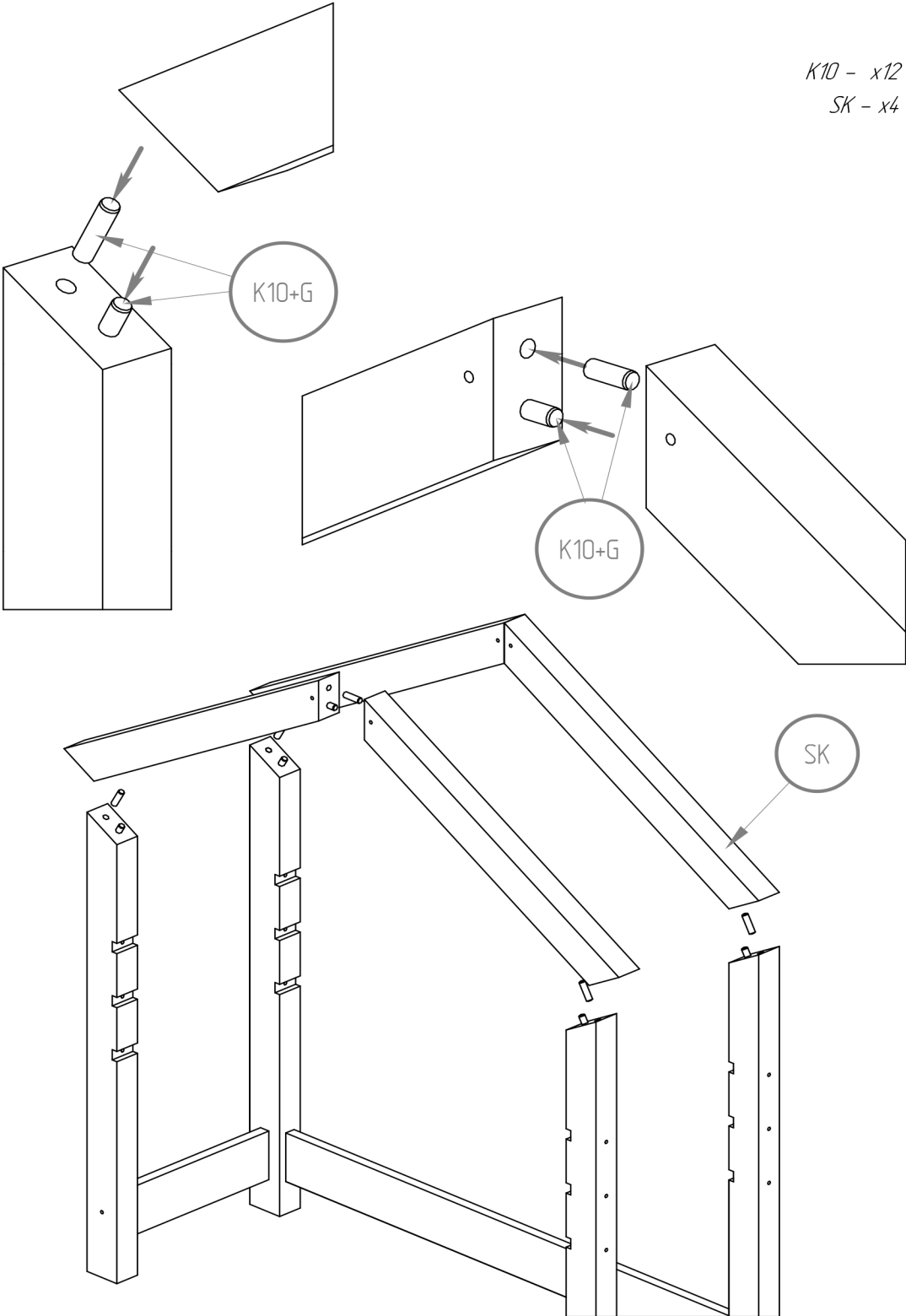
*BL - x1*

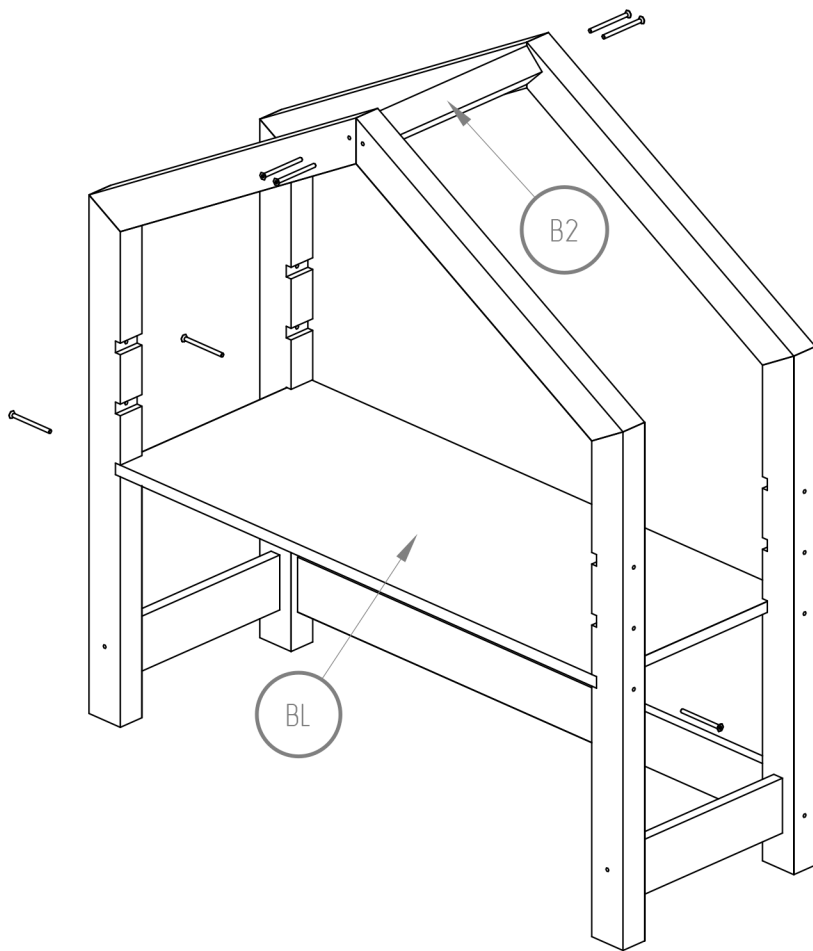
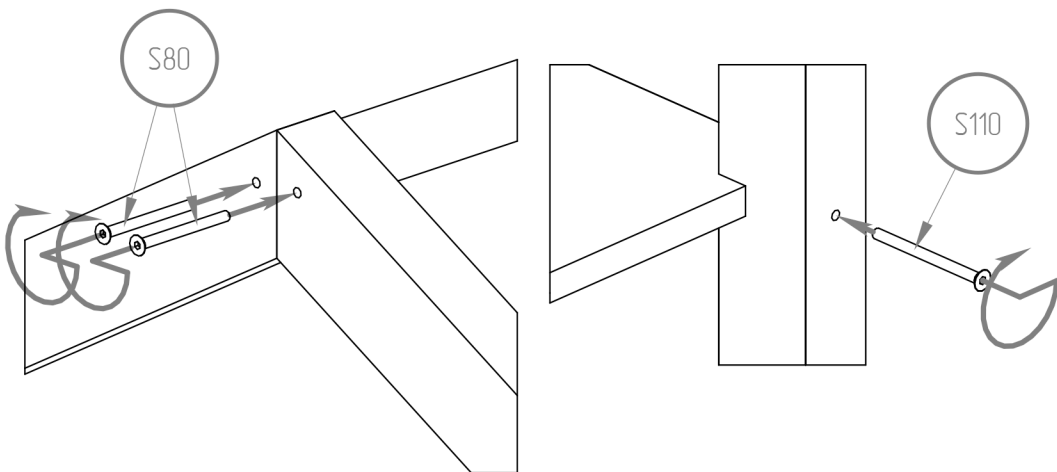
- K10 - x6*
- NPL - x1*
- NTL - x1*
- NPP - x1*
- NTP - x1*
- DD - x1*
- DK - x2*
- S110 - x2*
- S80 - x4*



*K10 - x12*

*SK - x4*





- S110 - x4*
- S80 - x4*
- B2 - x1*
- BL - x1*