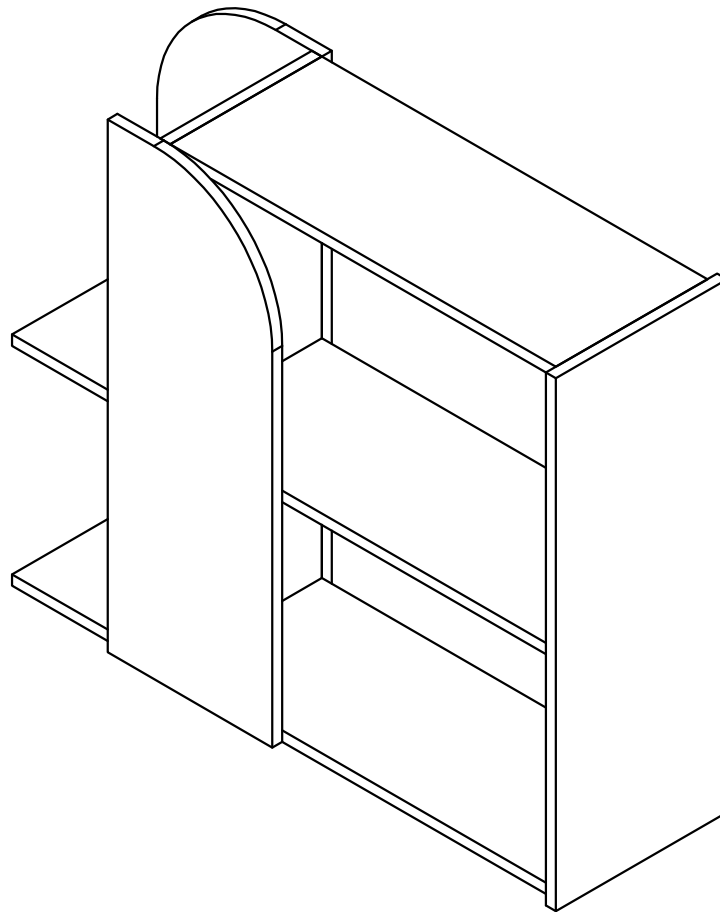


# ASSEMBLY INSTRUCTION

ALEC BOOKCASE

ITEM #: 82062065



# COMPONENT LIST

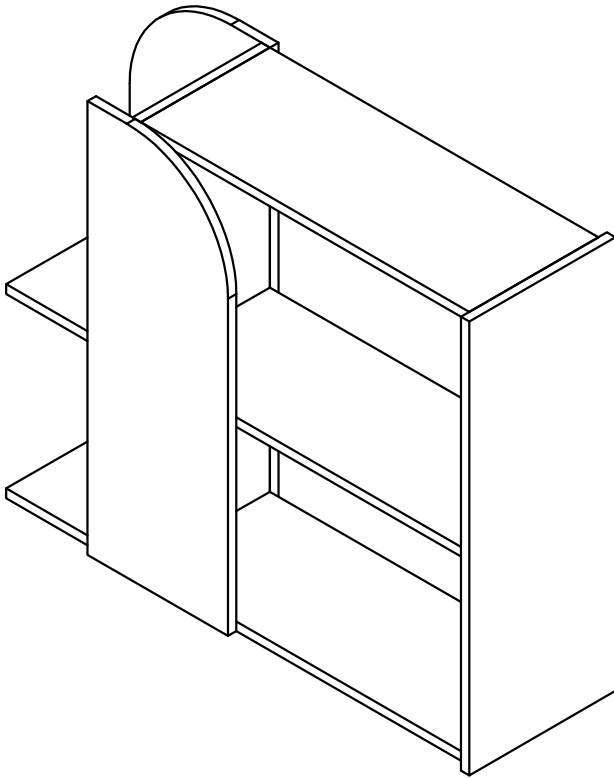
## HARDWARE LIST

A x 4



## PART

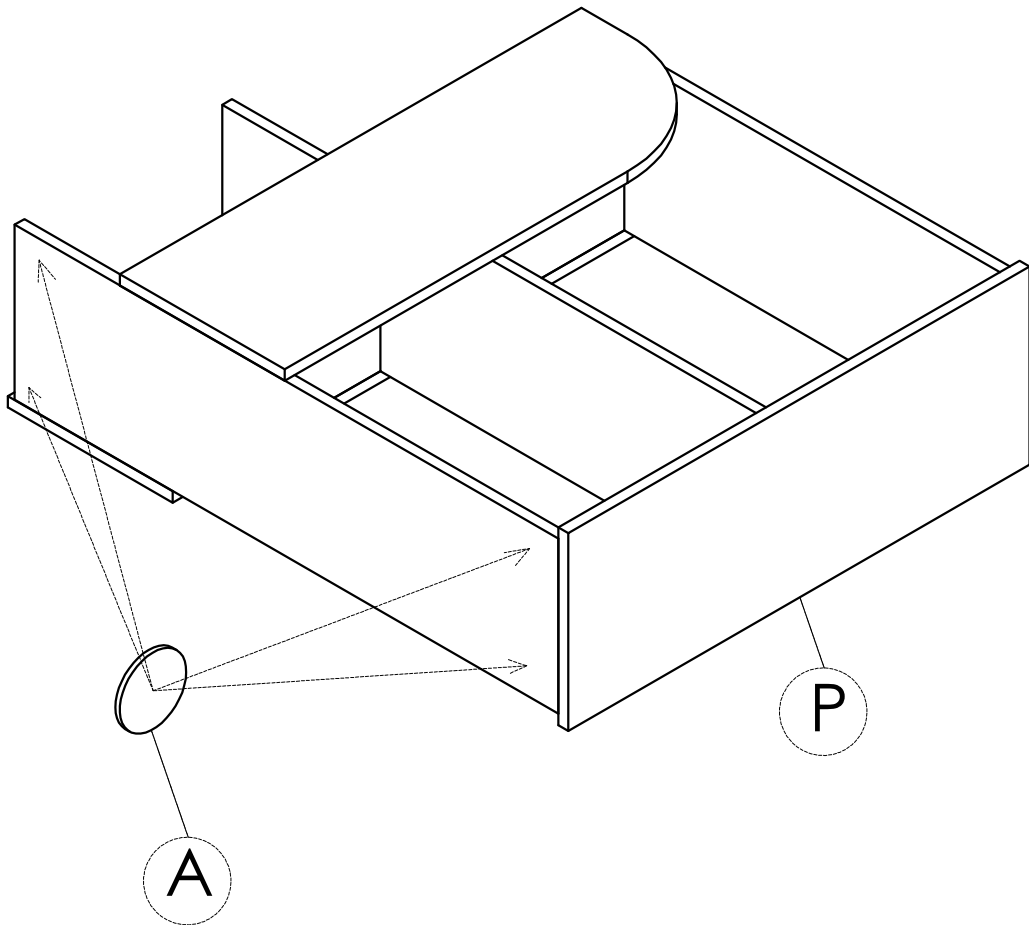
P



1 PC



# INSTRUCTION



# INSTRUCTION

