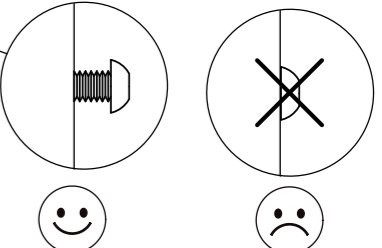
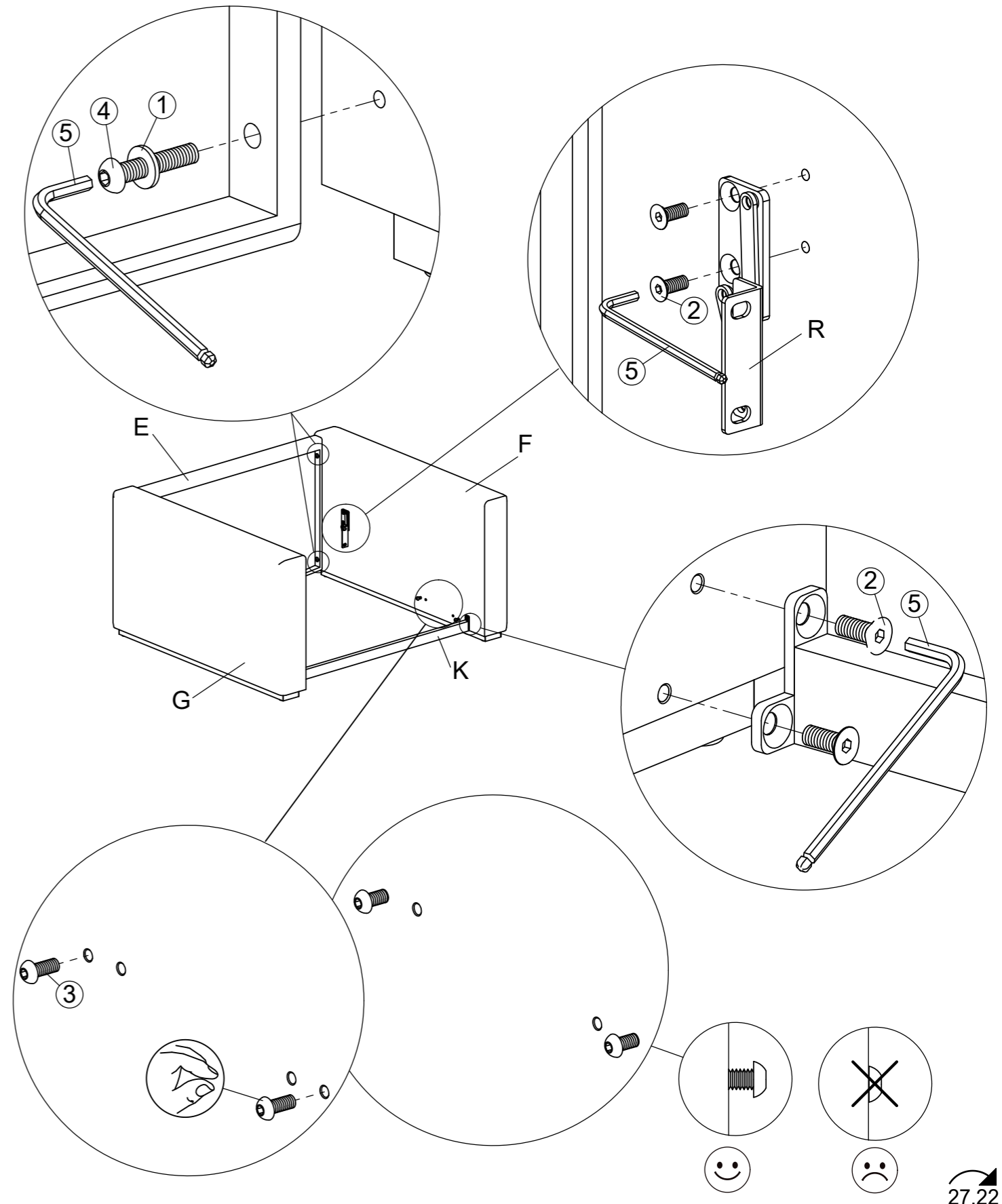
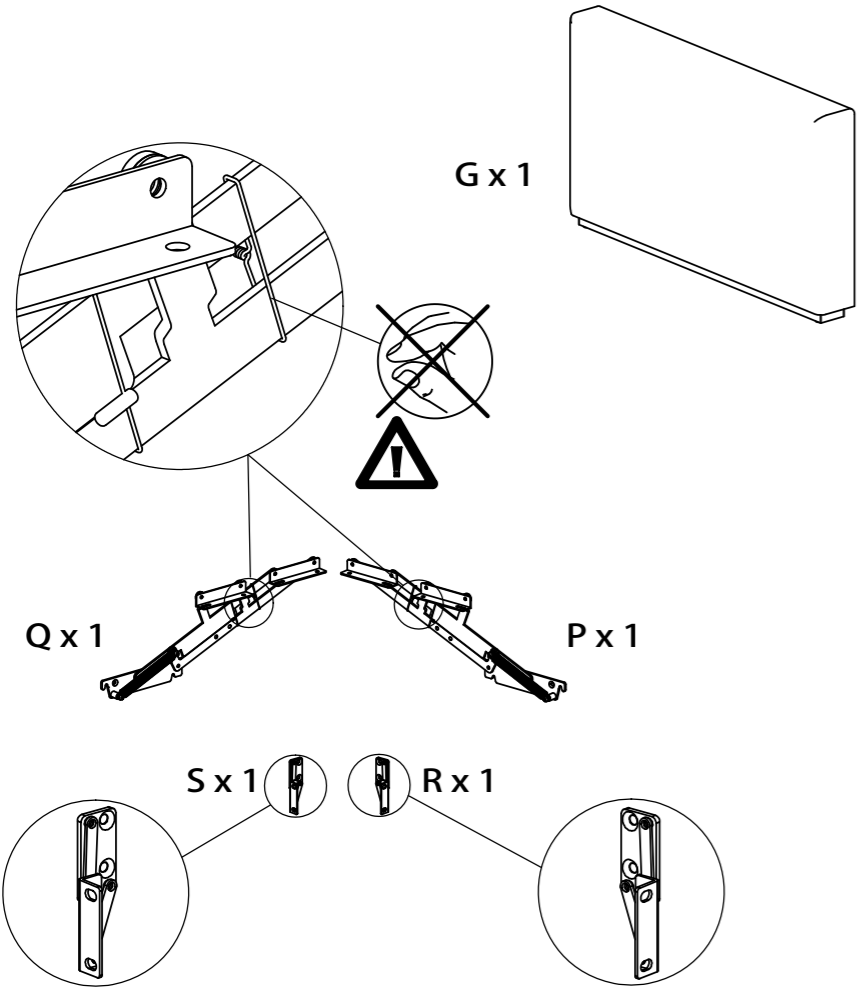




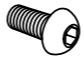
- ① x 4
- ② x 20
- ③ x 24
- ④ x 4
- ⑤ x 1
- ⑥ x 4

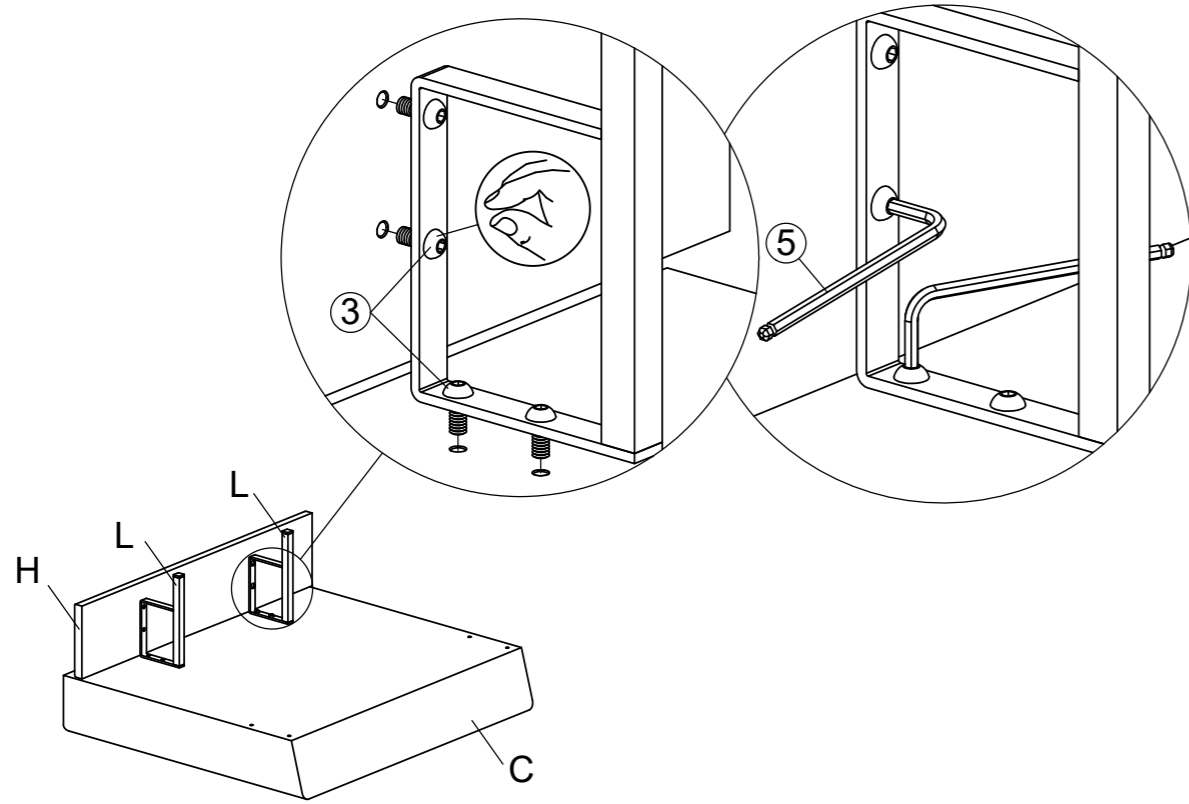
- A x 1
- B x 1
- C x 1
- D x 1
- E x 1
- F x 1
- G x 1
- H x 1
- J x 1
- K x 1
- L x 2
- M x 2
- N x 1

- 1
- ① x 4
  - ② x 8
  - ③ x 4
  - ④ x 4



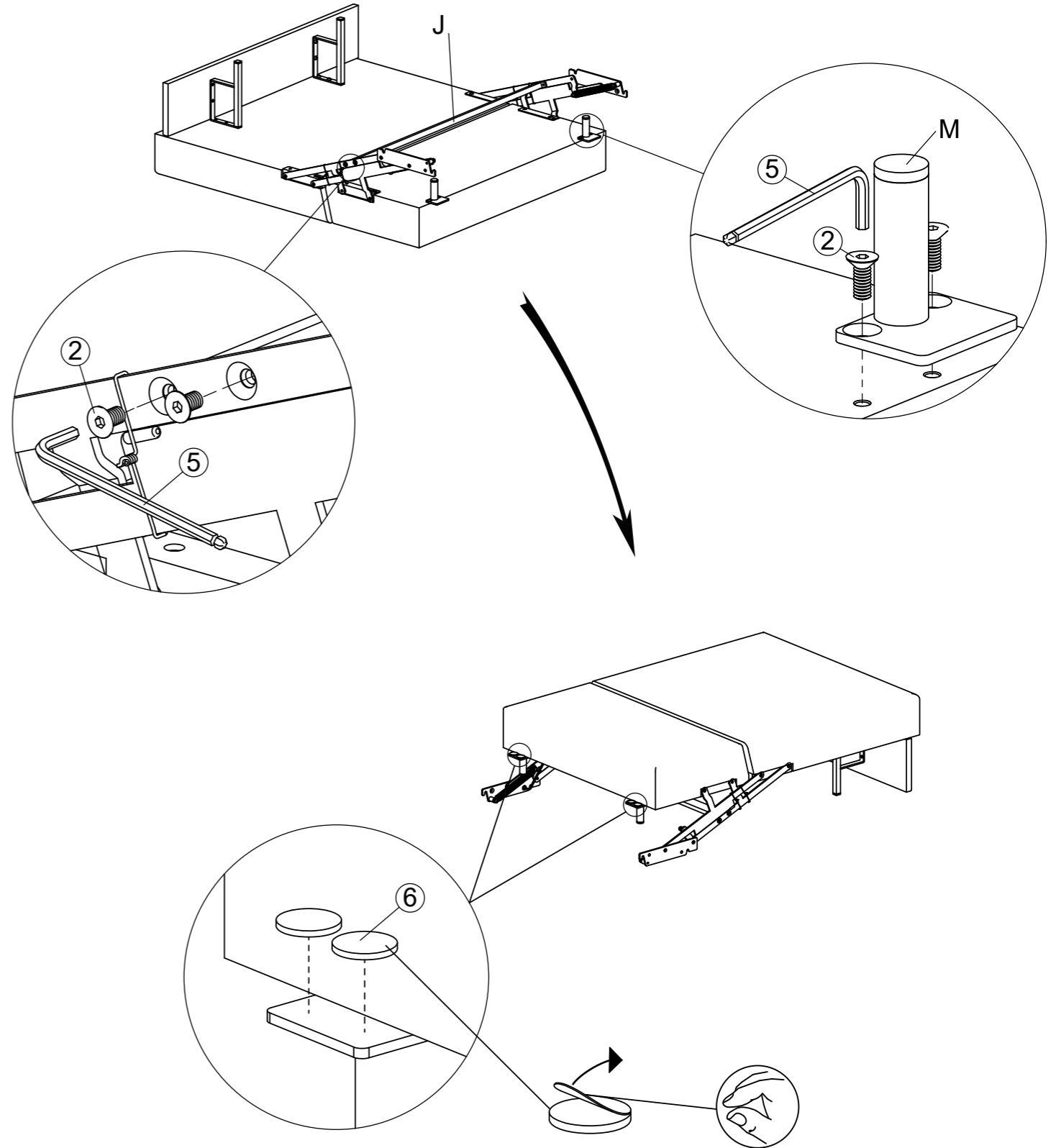
2

③ x 8 

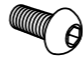


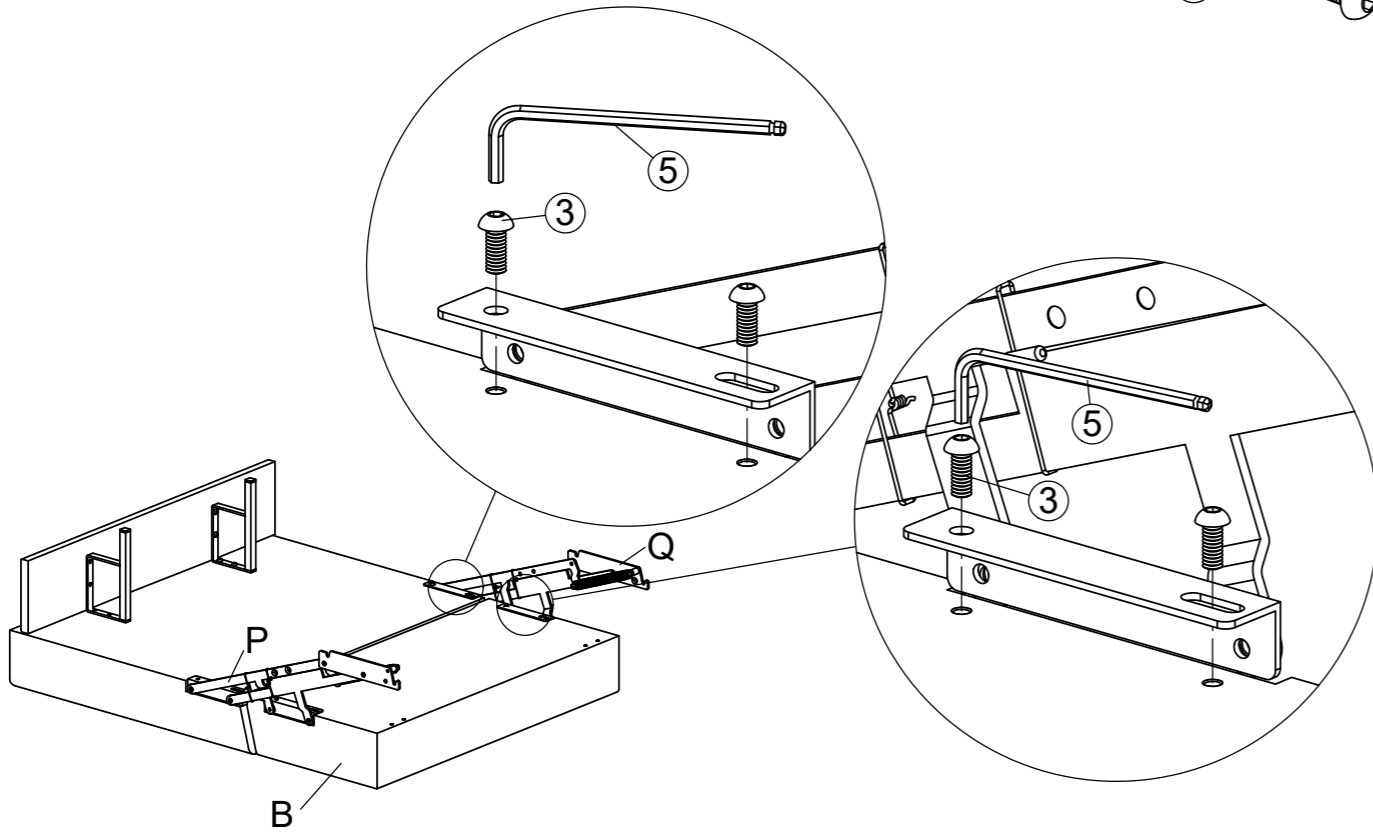
4

② x 8  ⑥ x 4 

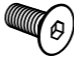


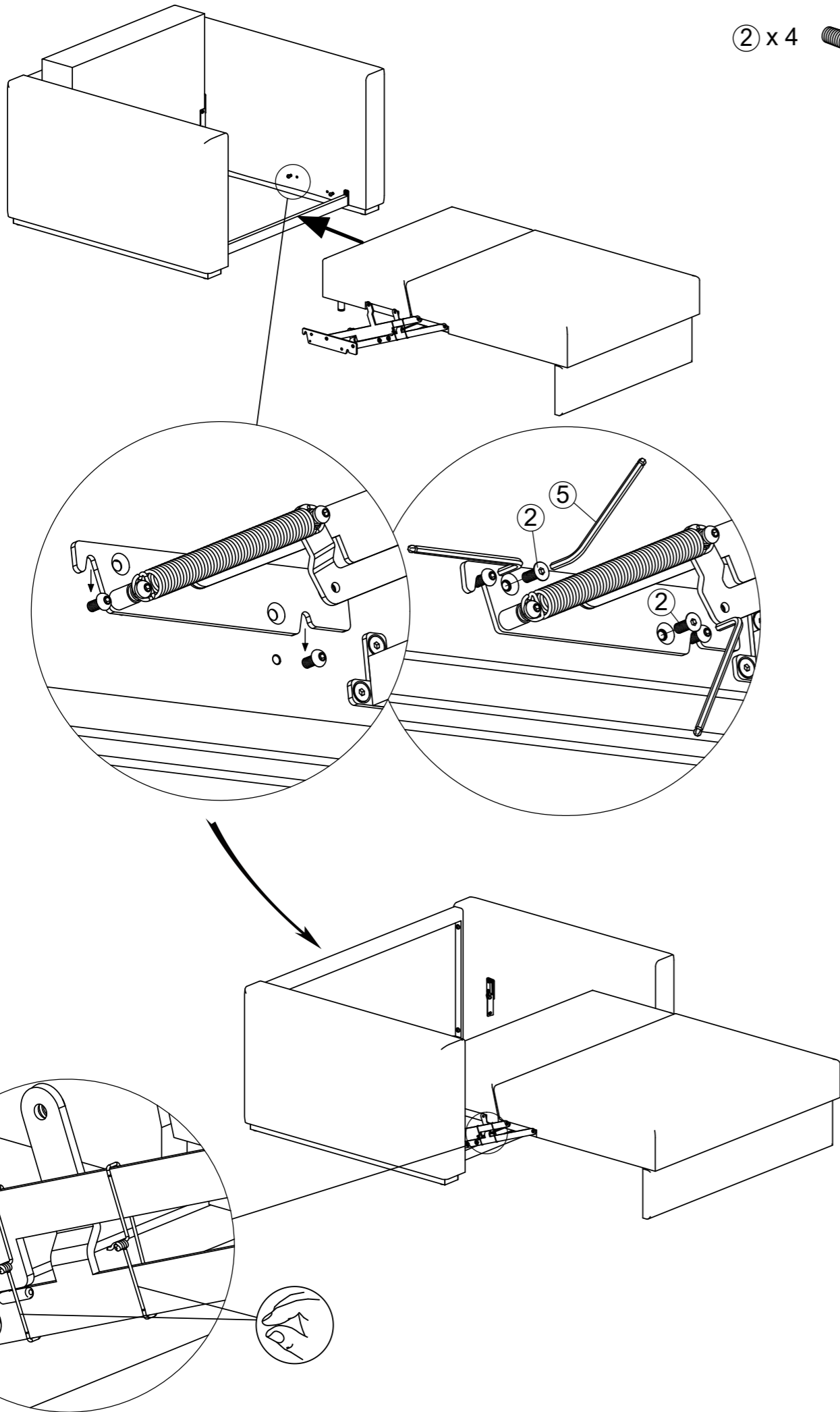
3

③ x 8 

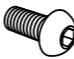


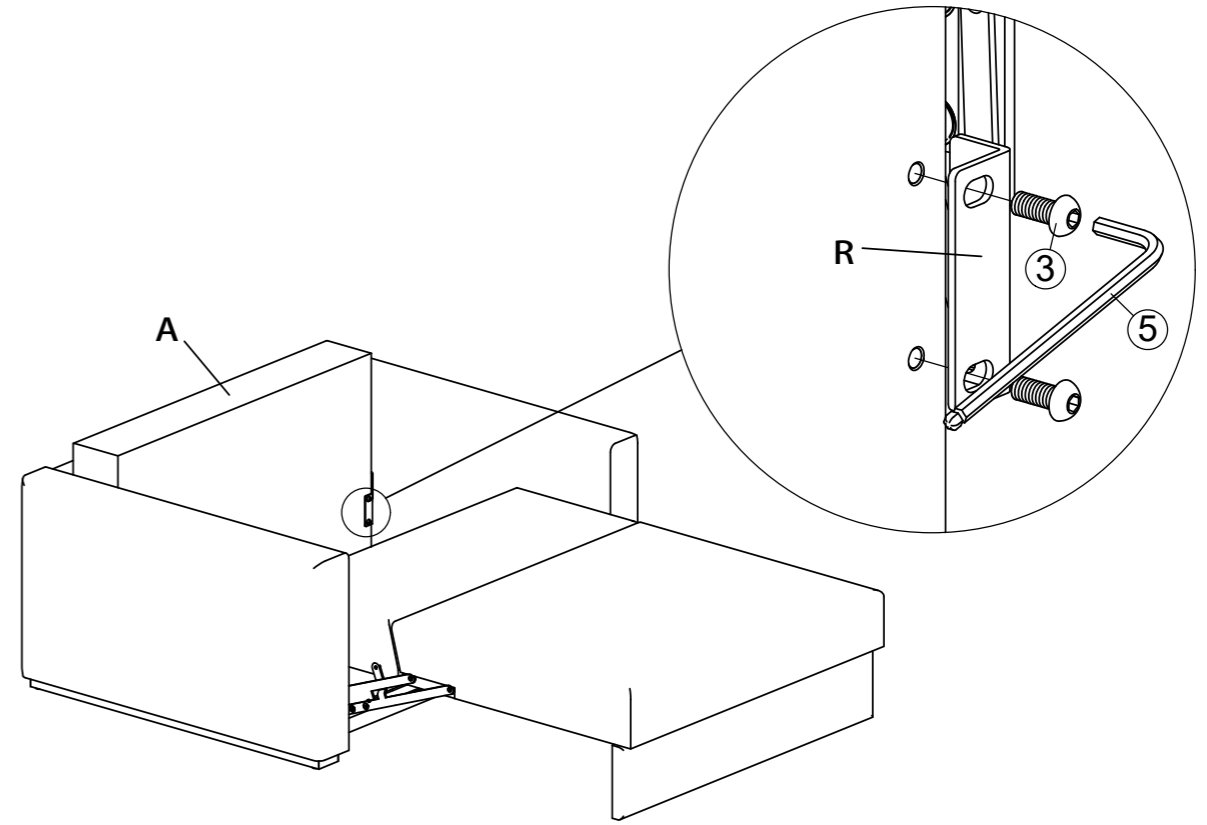
5

② x 4 



6

③ x 4 



7

