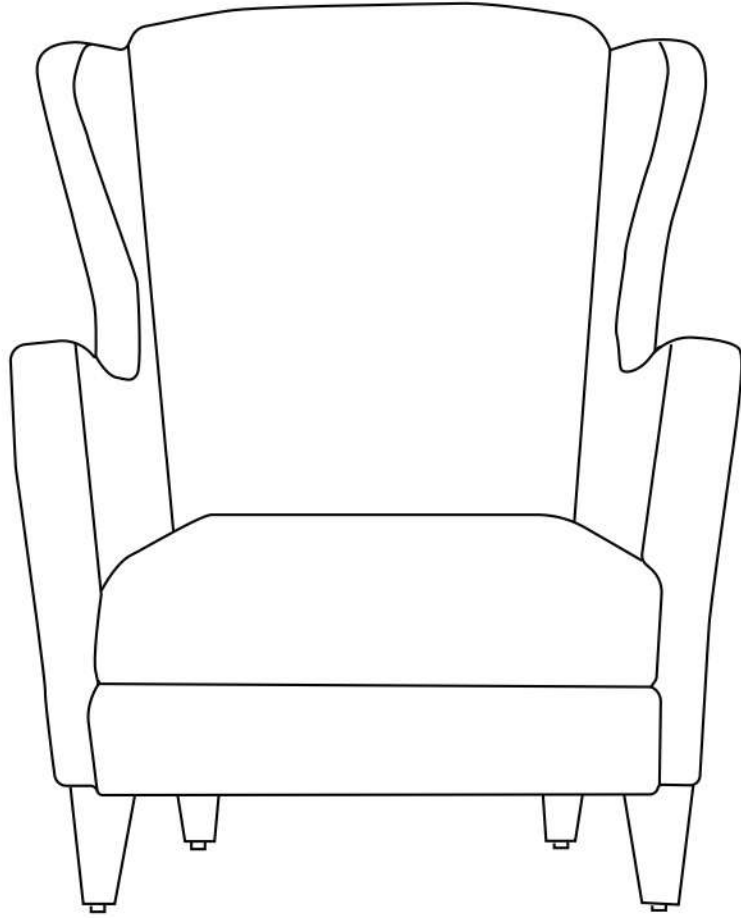


KURULUM KILAVUZU



Read these assembly instructions carefully before you start.



Two people are required to assemble and move the sofa.

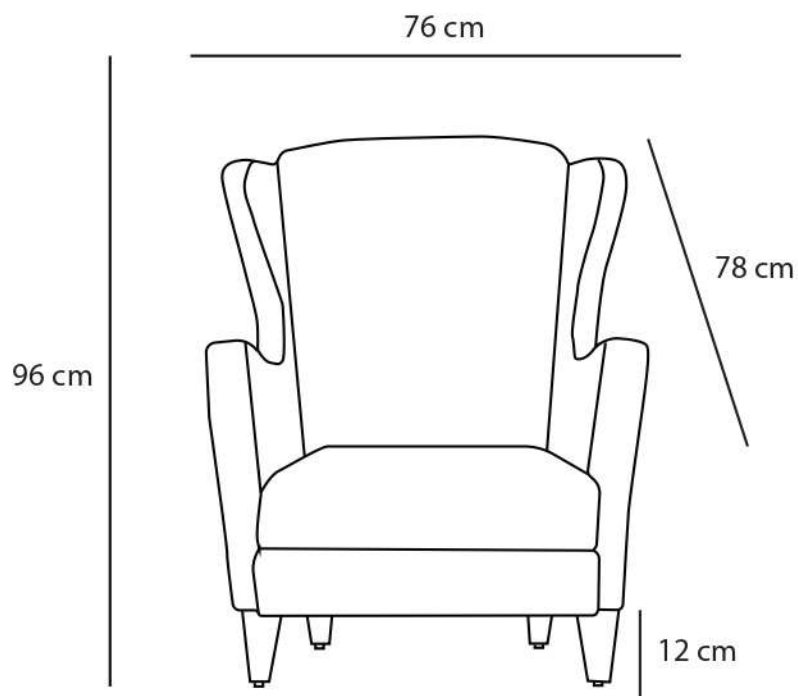


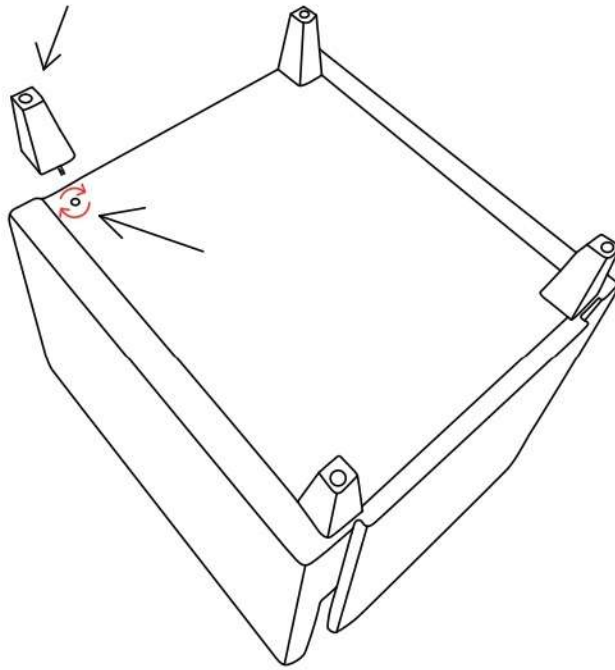
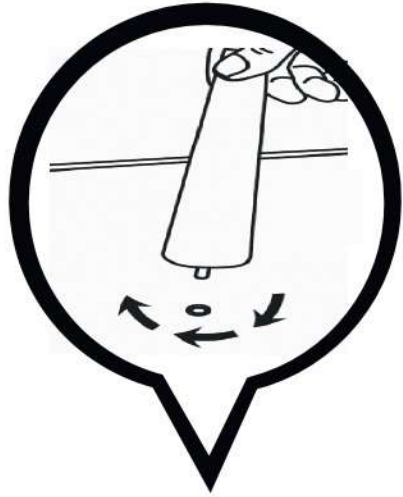
Safety first! Do not allow children to hold or handle furniture.
Don't let him play.



A mild upholstery cleaner spray for cleaning fabric sofas or a mixture of warm soapy water. For leather sofas, it is recommended to use leather cleaner and softener products. Suede sofas are cleaned with a suede brush or suede cleaner spray. It is important to use cleaning products suitable for this sofa.

and following the manufacturer's instructions will help you use the product for a long time.





(A-



(2 Adet)

(B-



(2 Adet)

