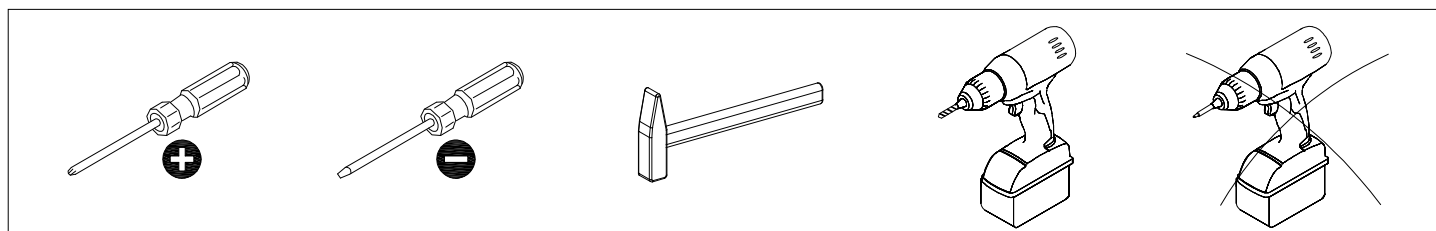
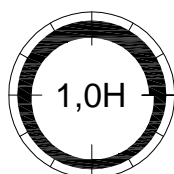
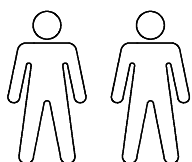
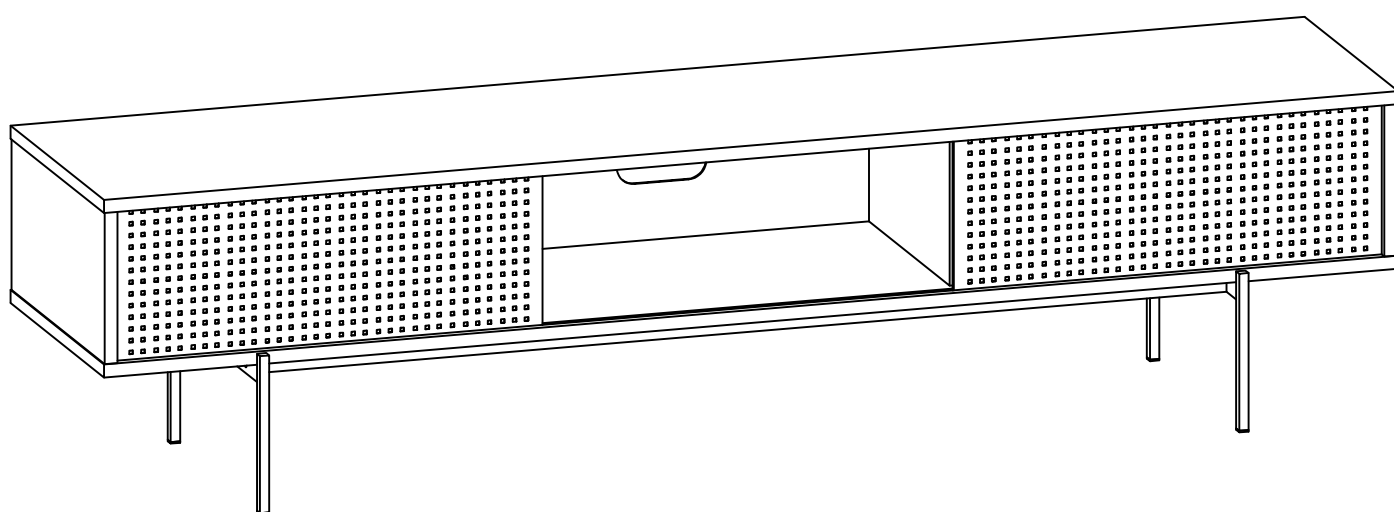
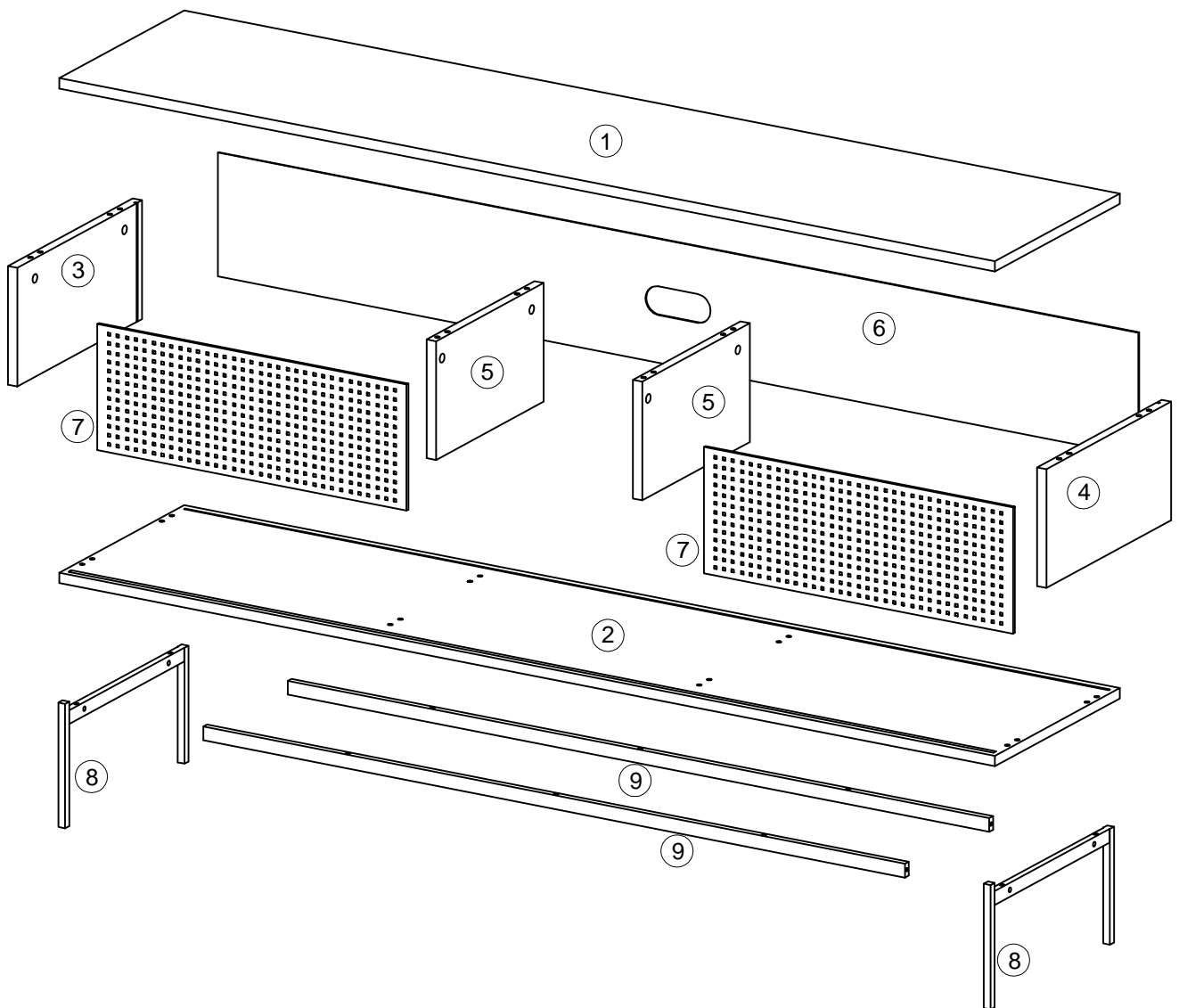


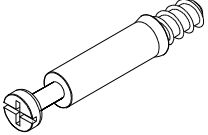

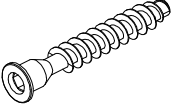
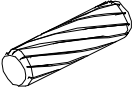

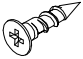
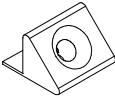

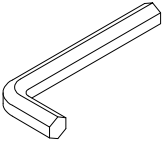
# ANGUS



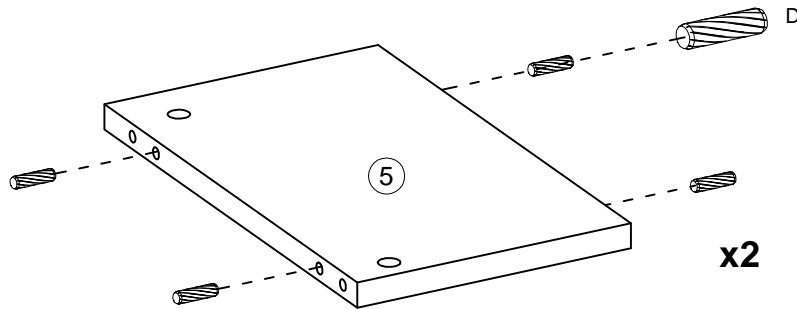
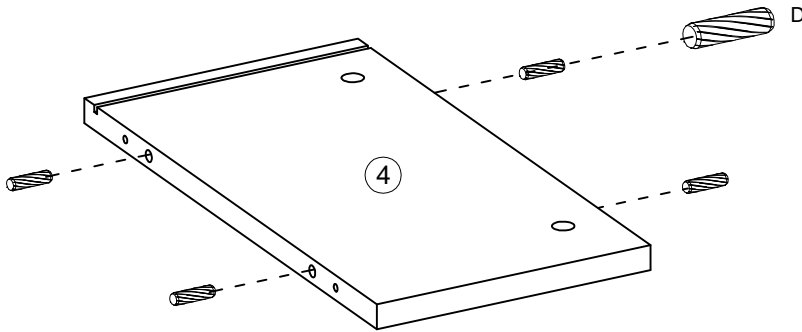
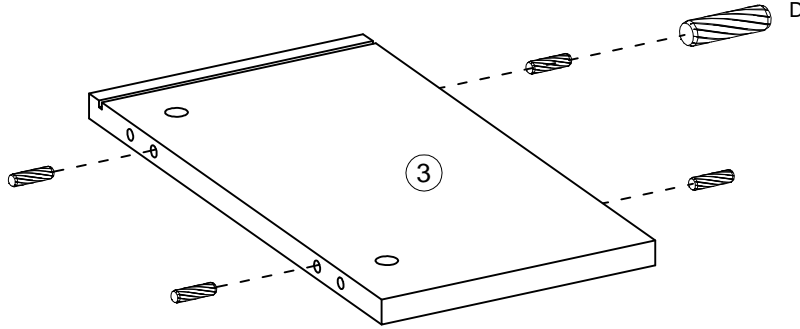
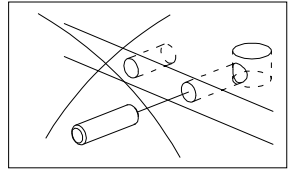
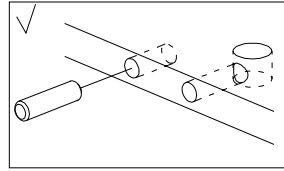
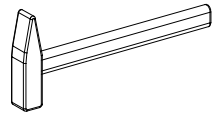
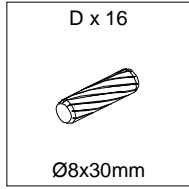
			✓
①	1	1800x400x18	
②	1	1800x400x18	
③	1	399x207x18	
④	1	399x207x18	
⑤	2	345x207x18	

			✓
⑥	1	1772x216x2.75	
⑦	2	595x220x6	
⑧	2	395x217x13	
⑨	2	1350x24x12	

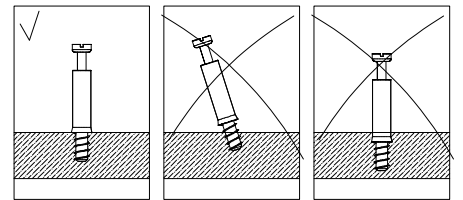
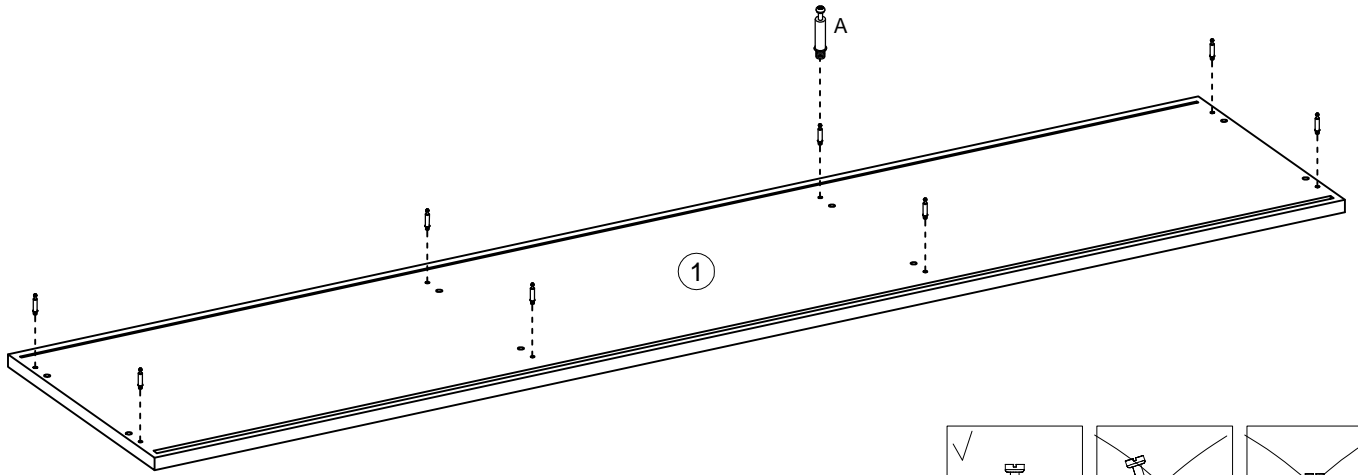
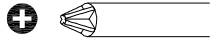
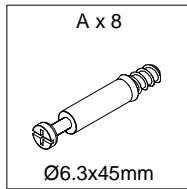


<p>A x 8</p>  <p>Ø6.3x45mm</p>	<p>B x 8</p>  <p>Ø15x12mm</p>	<p>C x 8</p>  <p>Ø7x48mm</p>	<p>D x 16</p>  <p>Ø8x30mm</p>	<p>E x 14</p>  <p>M6x35mm</p>
<p>F x 6</p>  <p>Ø3.5x16mm</p>	<p>G x 6</p>  <p>14x14x10mm</p>	<p>H x 8</p>  <p>Ø20mm</p>	<p>J x 1</p>  <p>4mm</p>	

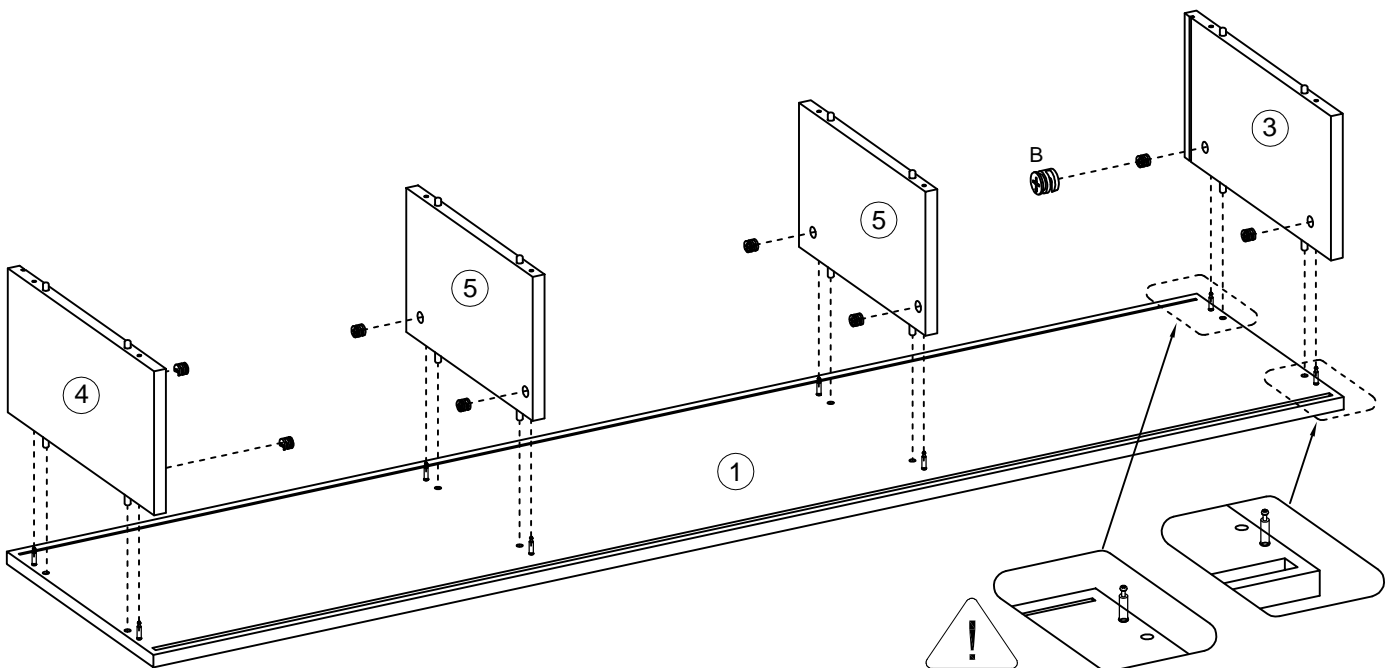
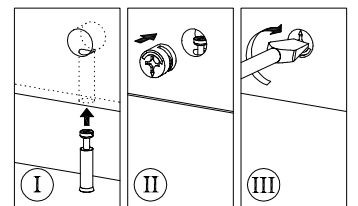
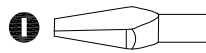
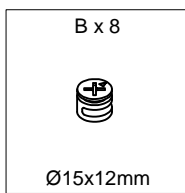
1



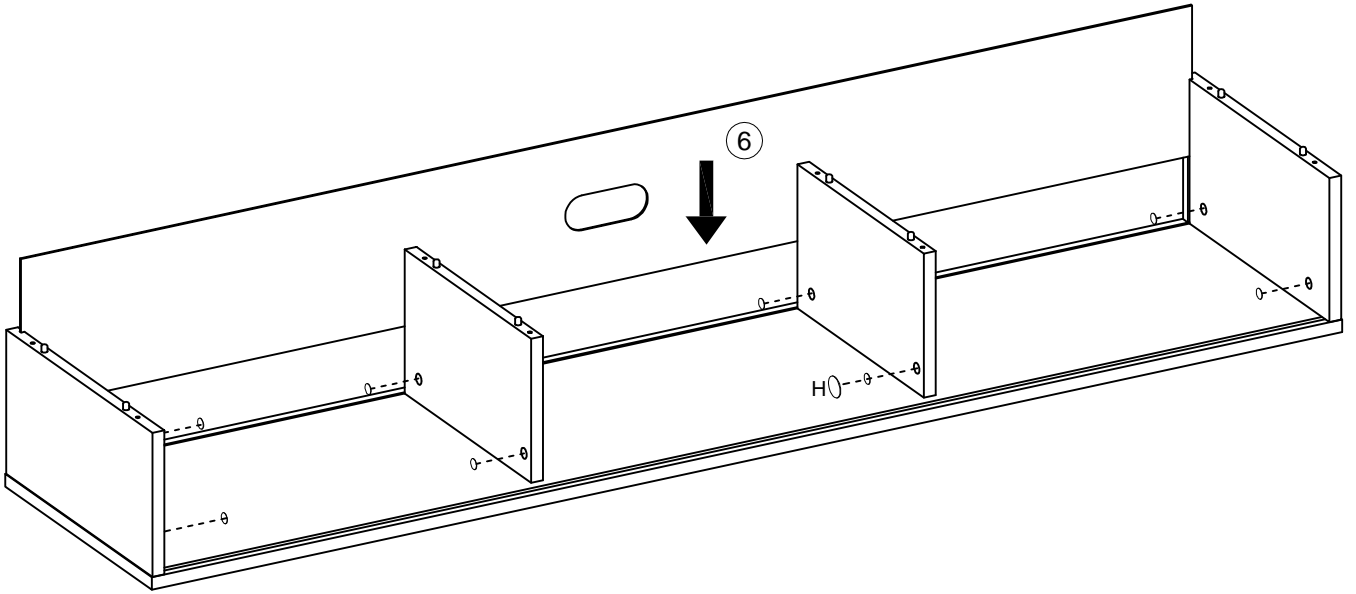
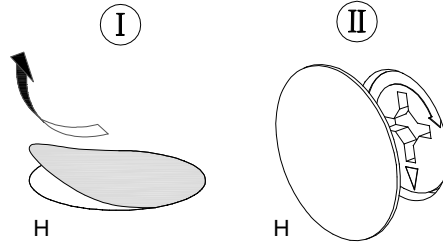
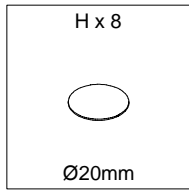
# 2



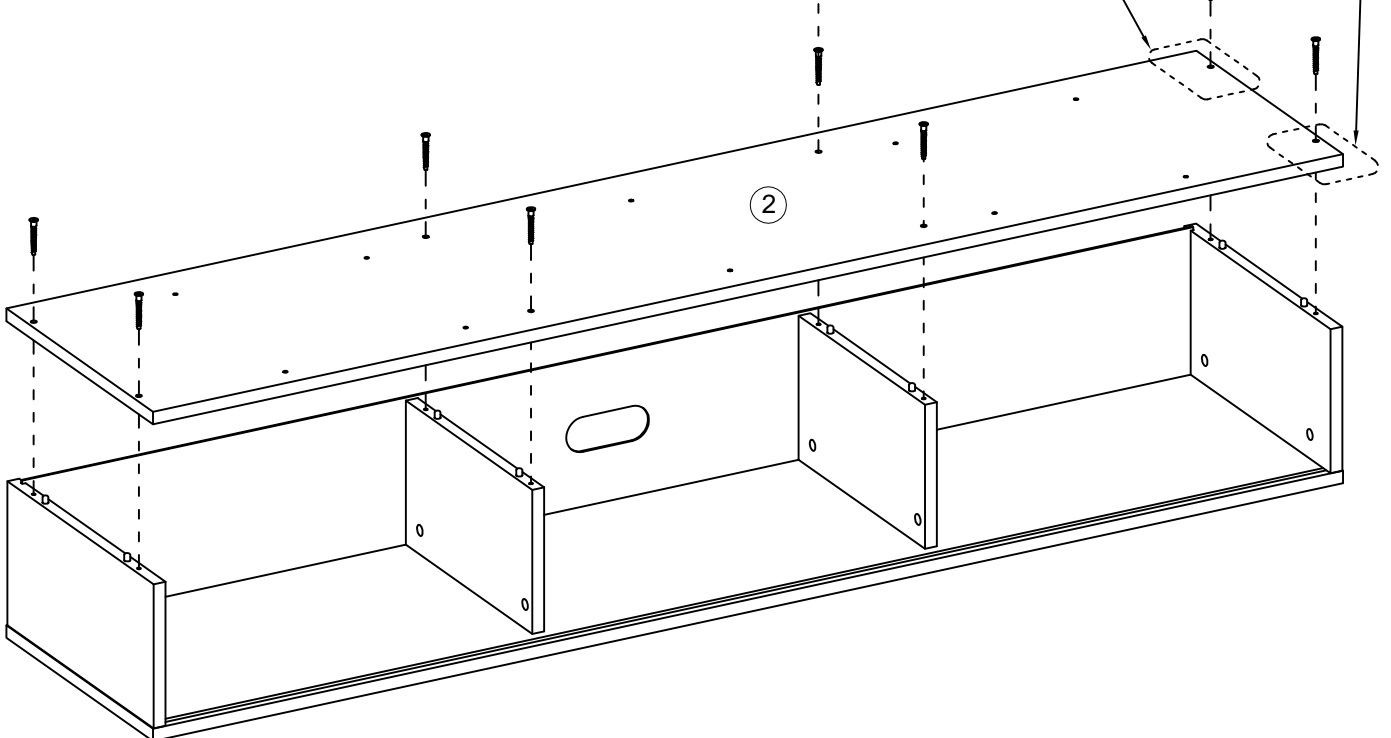
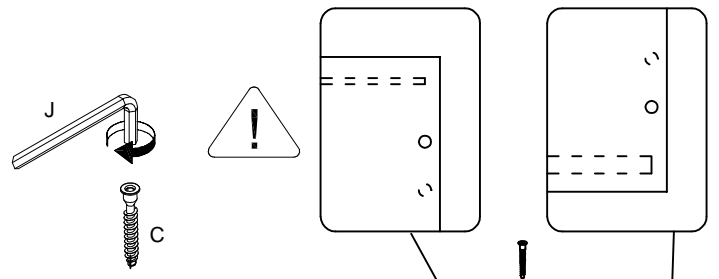
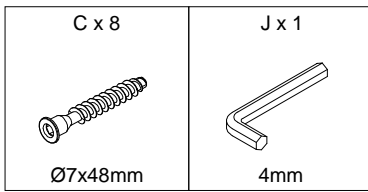
# 3




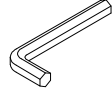
# 4

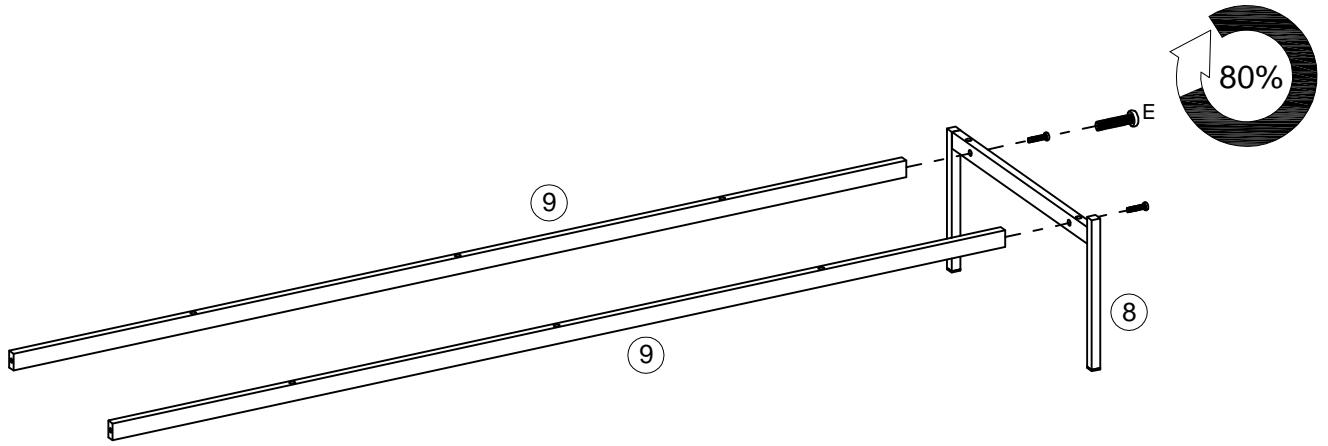


# 5


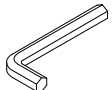


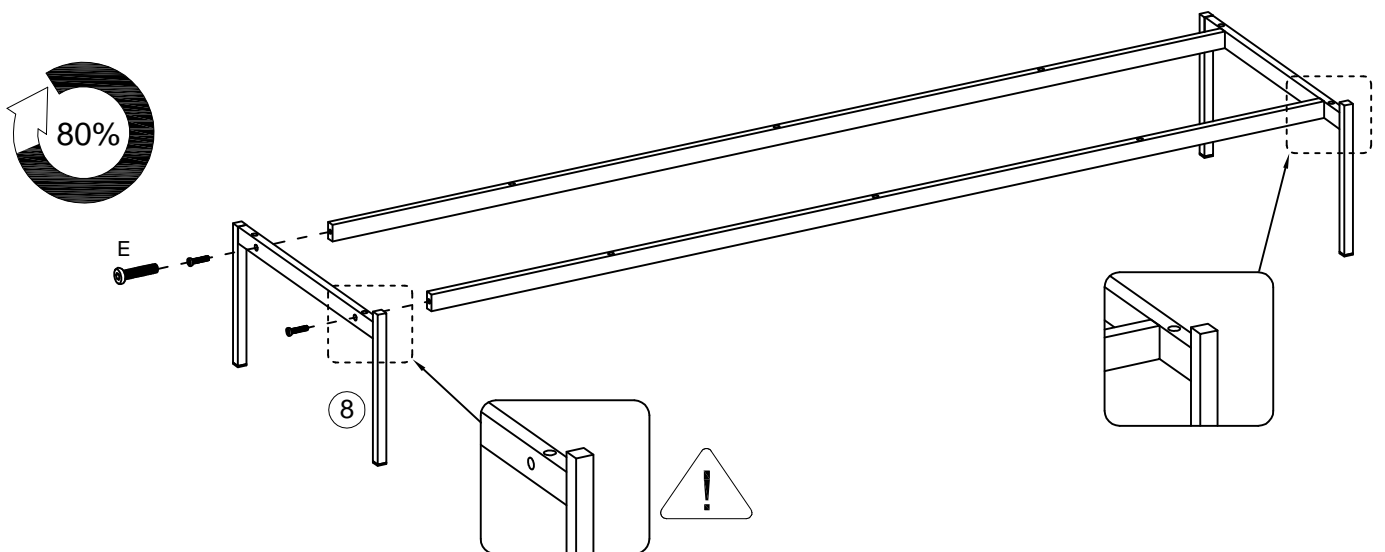
# 6

E x 2	J x 1
	
M6x35mm	4mm

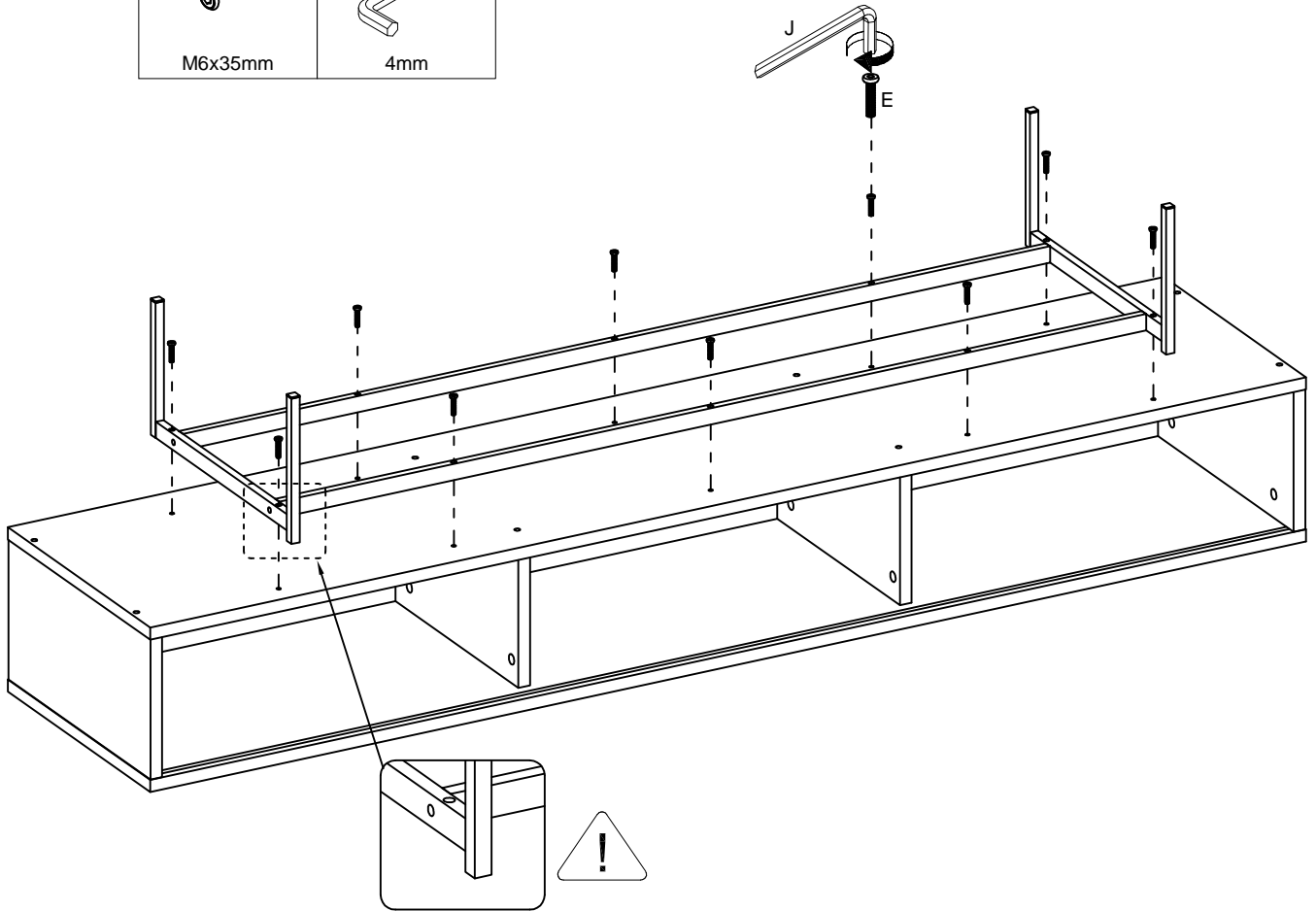
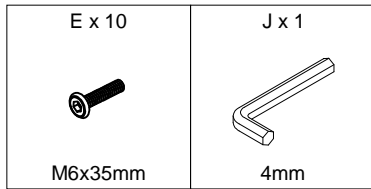


# 7

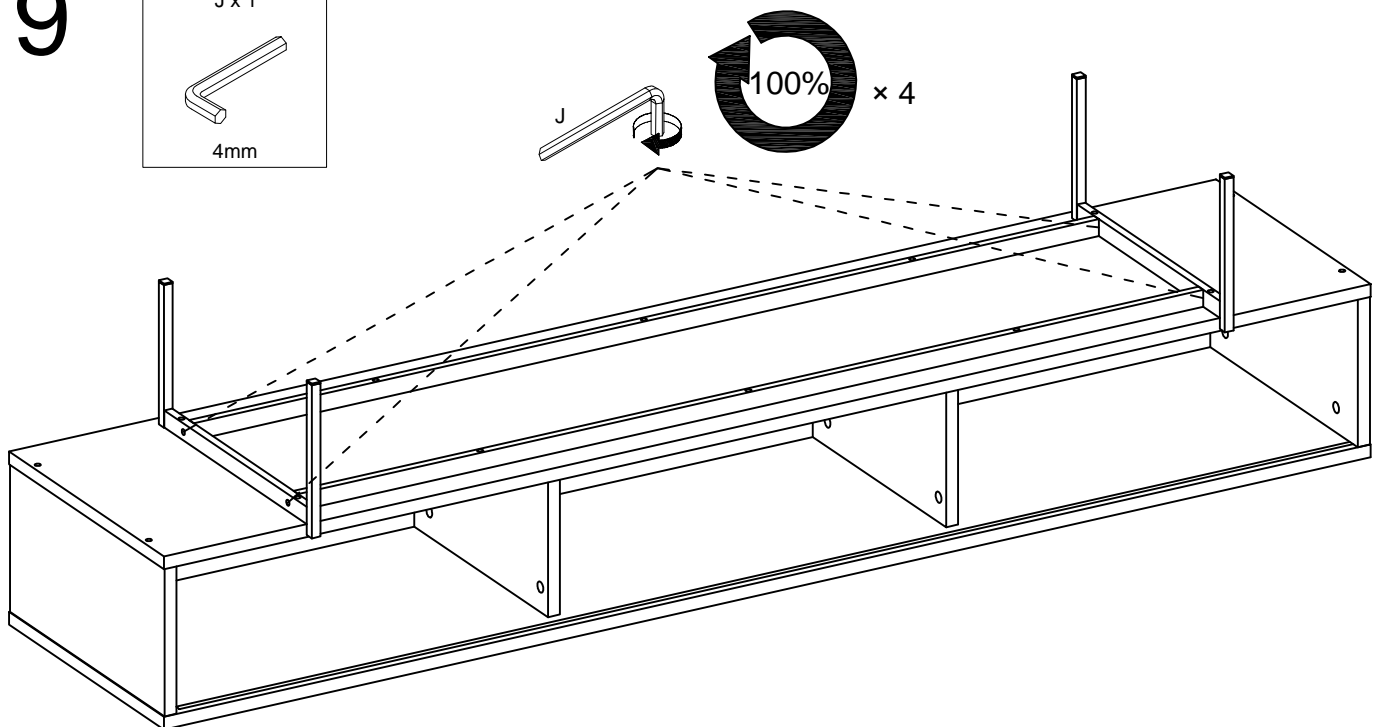
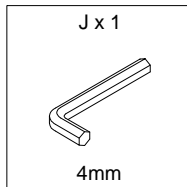
E x 2	J x 1
	
M6x35mm	4mm



# 8





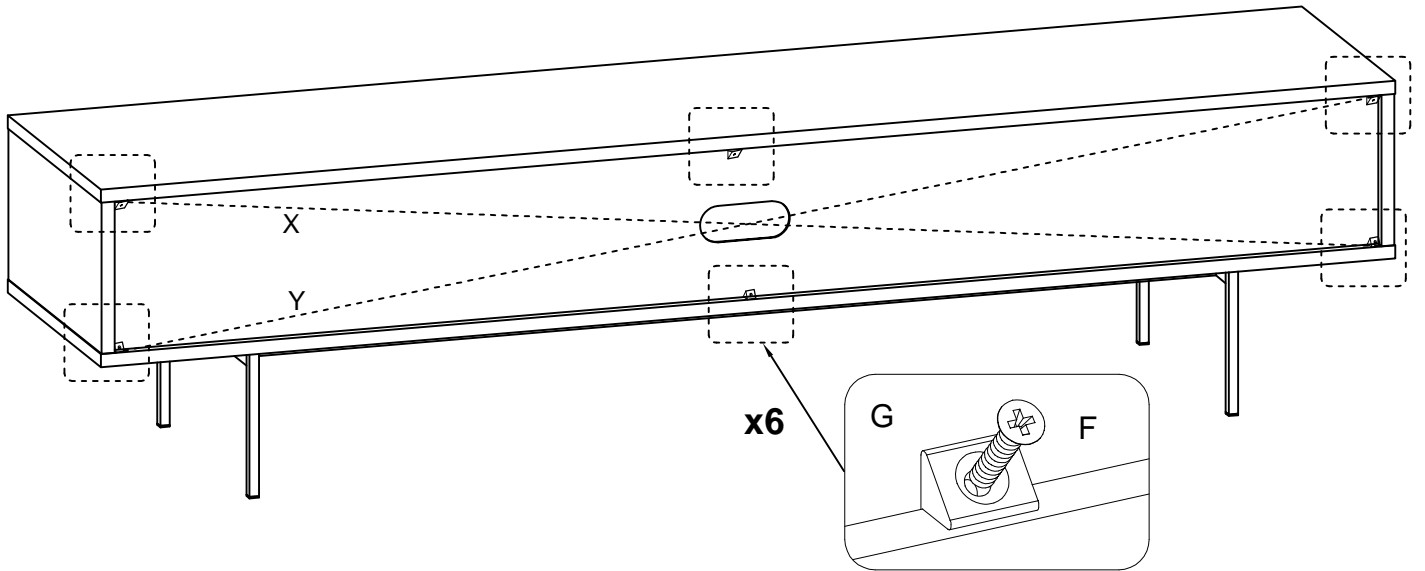
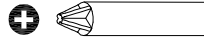
# 9



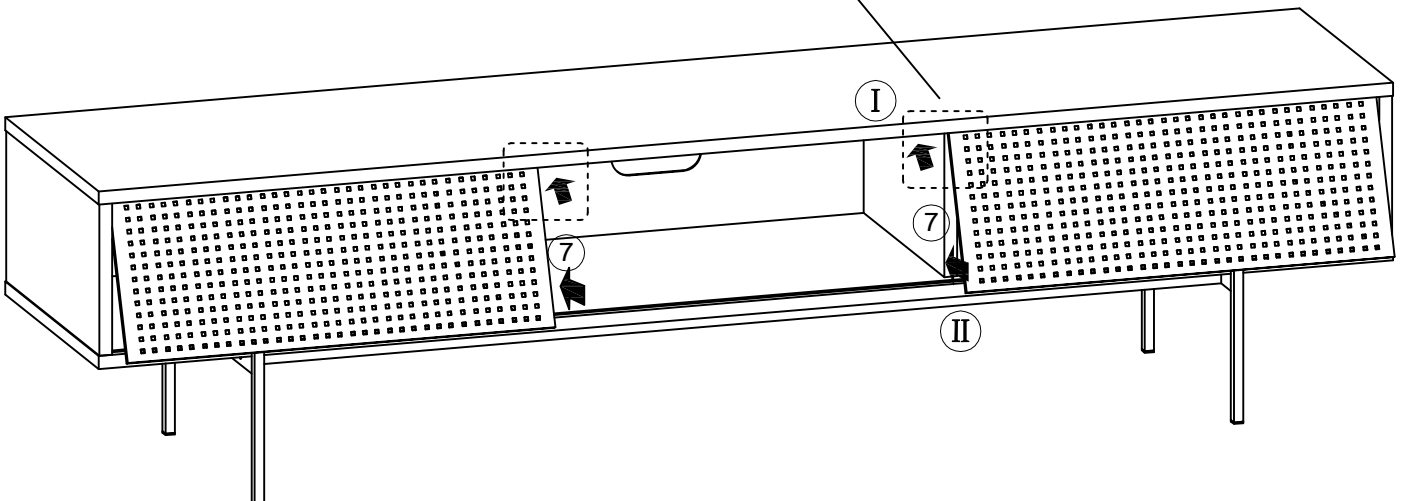
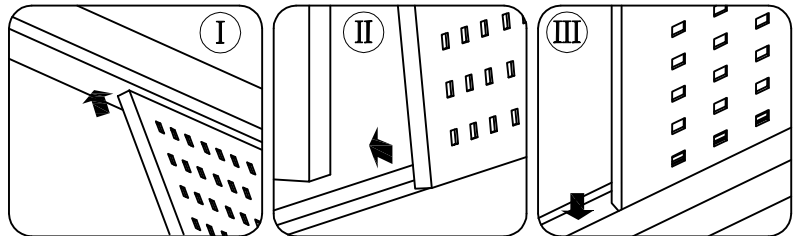


# 10

F x 6  Ø3.5x16mm	G x 6  14x14x10mm
---	--



# 11



12

