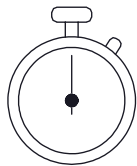
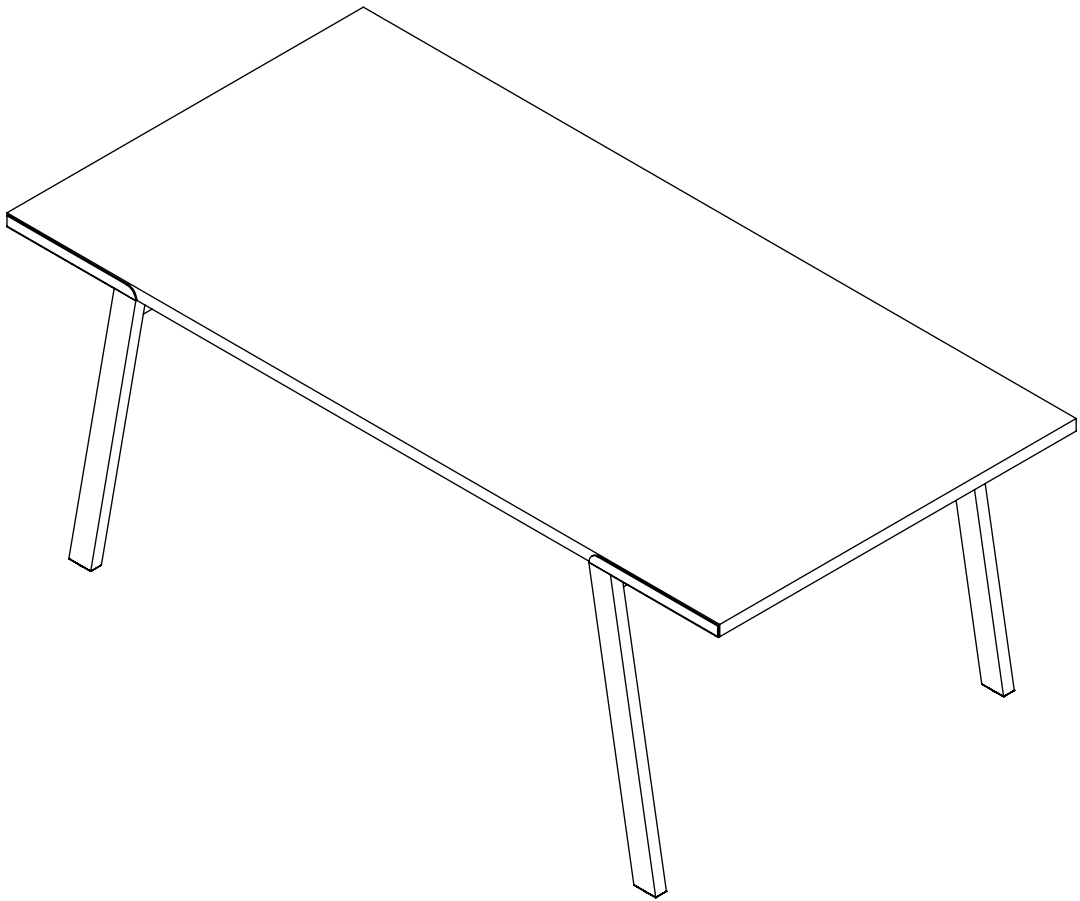
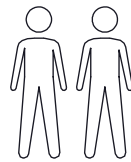


# DRIFT



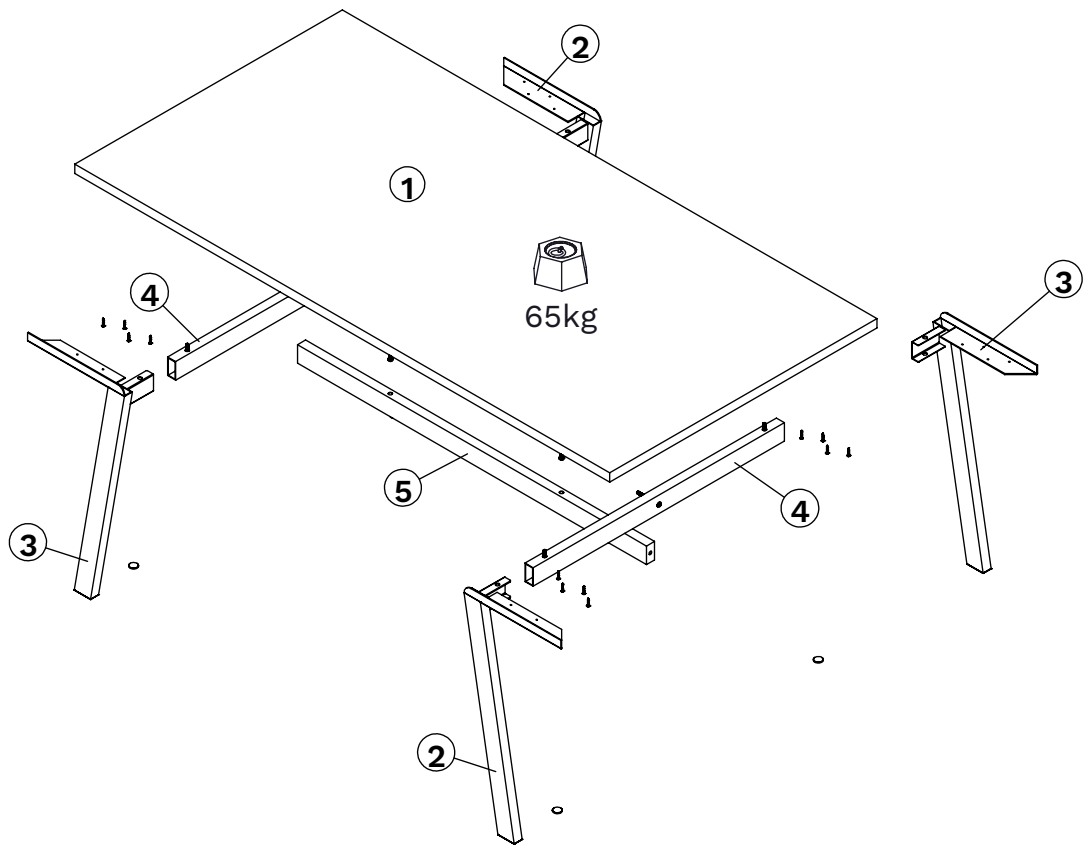
00:30




x 2



**TEMAHOME**  
welcome vibrations

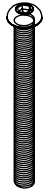


○	x	mm	
1	1	2000 x 1000 x 30	2
2	2	746 x 368 x 130	1
3	2	746 x 368 x 130	1
4	2	940 x 60 x 30	1
5	1	1305 x 60 x 30	2



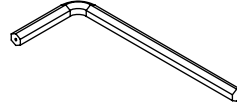
Ø3,5 x 25mm

IU x 16

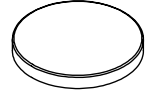


M8 x 80mm

ISK x 8

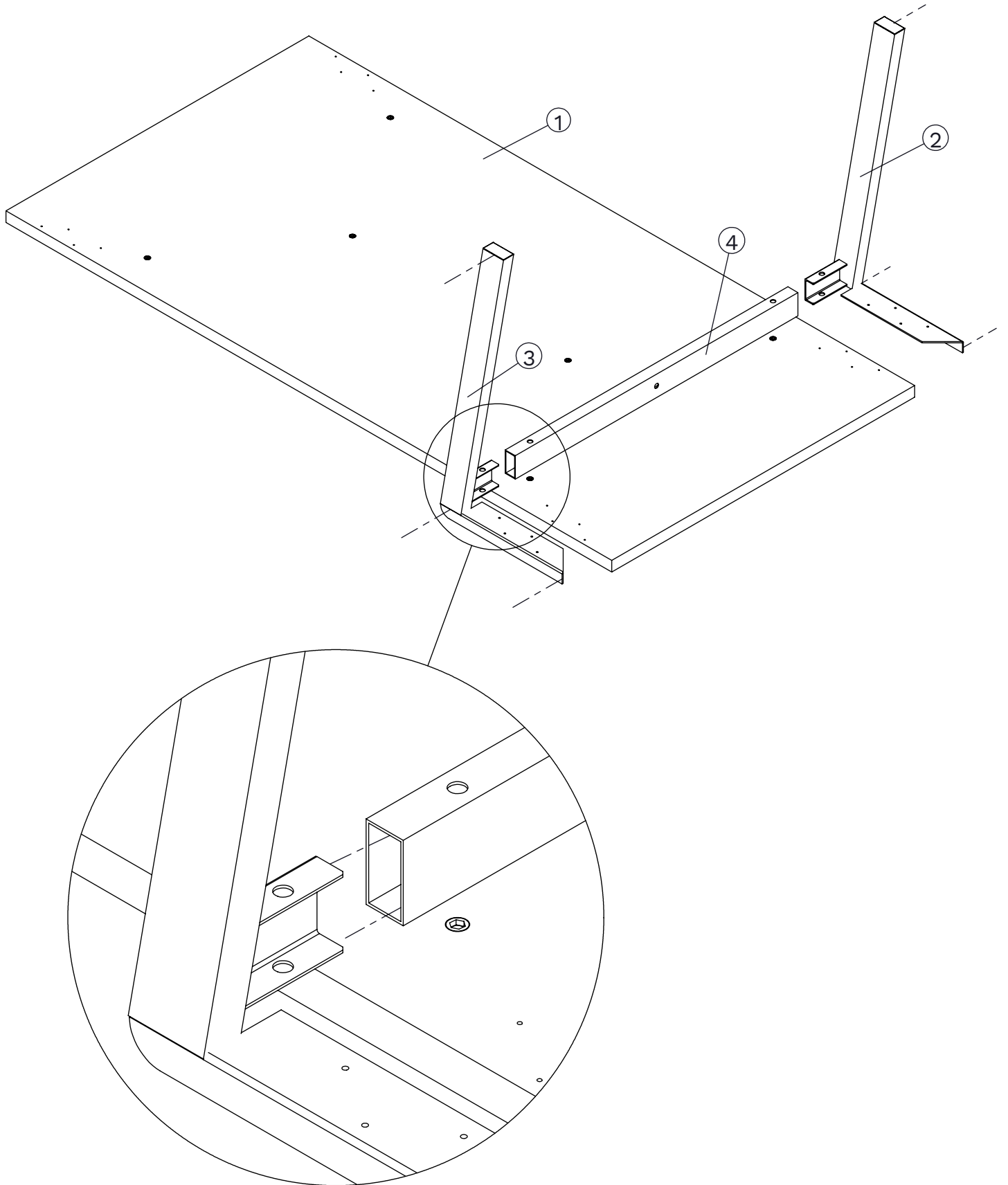
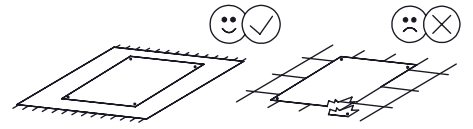


KIE x 1



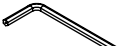


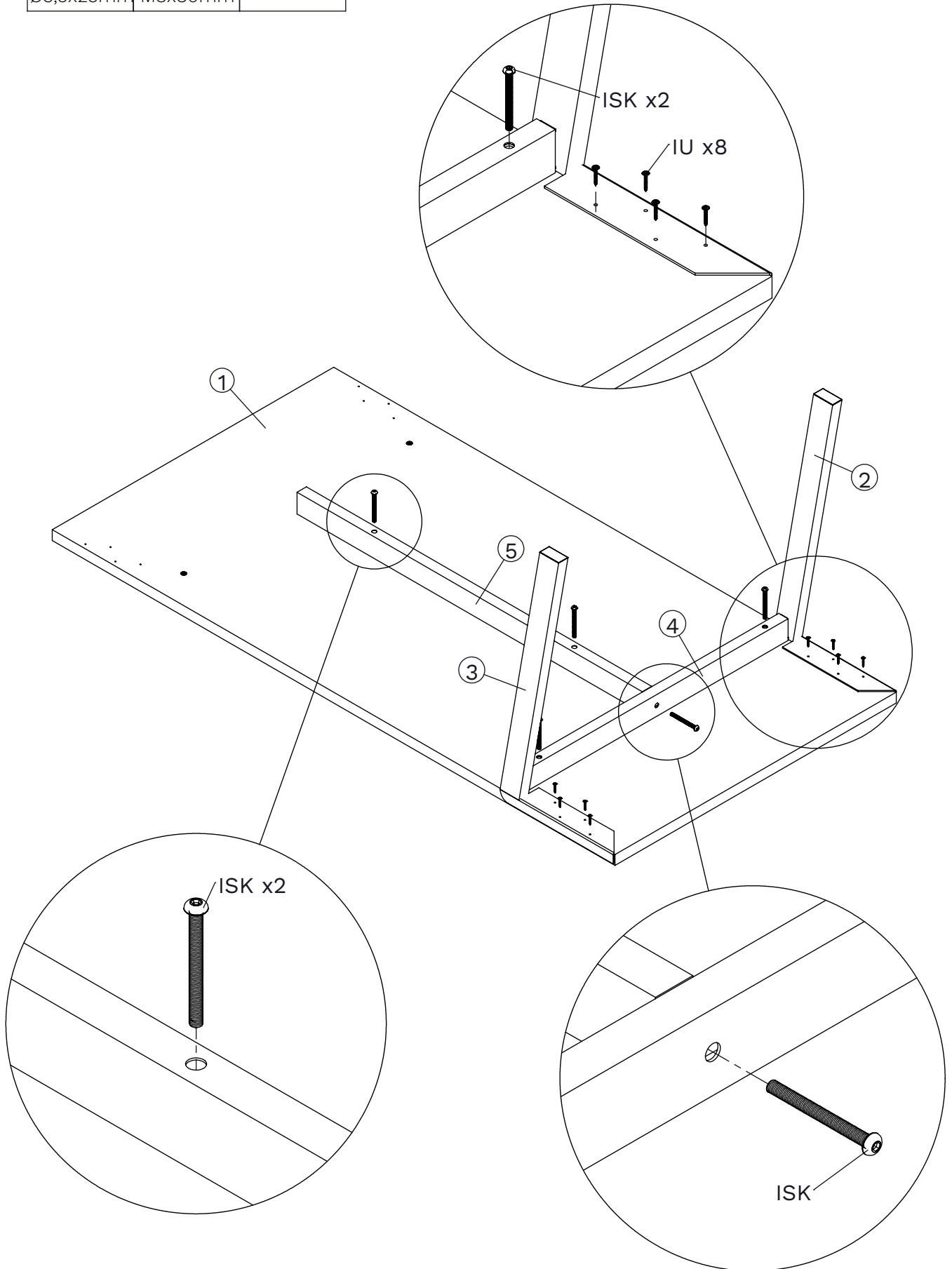
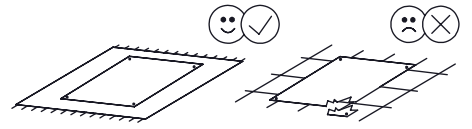
EEA x 4

# 1

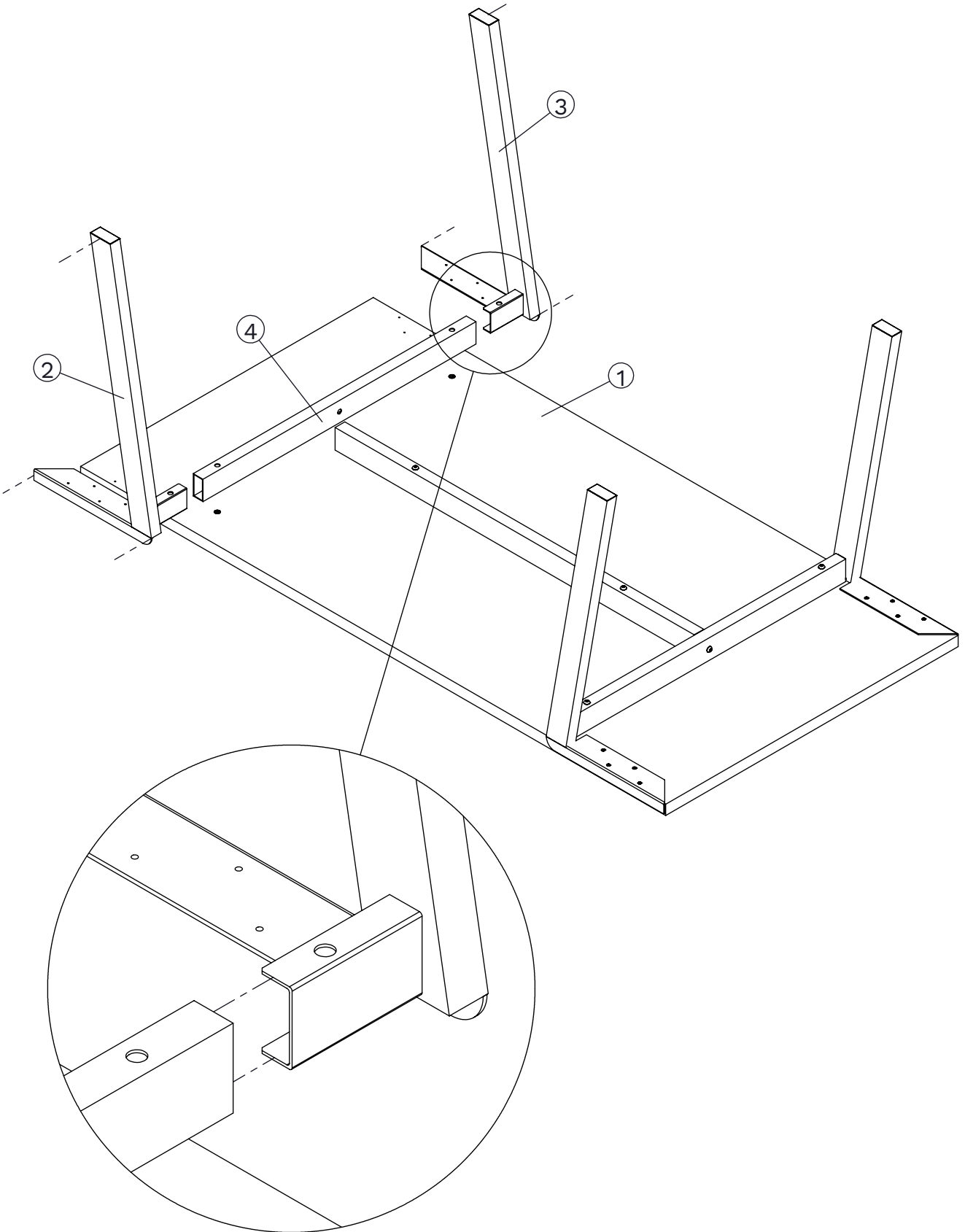
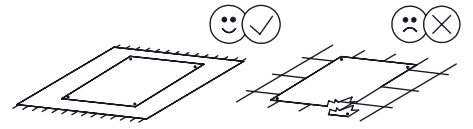


# 2



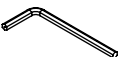

IU x8  Ø3,5x25mm	ISK x5  M8x80mm	KIE x1 
---	---	---



# 3



# 4

IU x8  Ø3,5x25mm	ISK x3  M8x80mm	KIE x1 	EEA x4 
---	---	---	---

