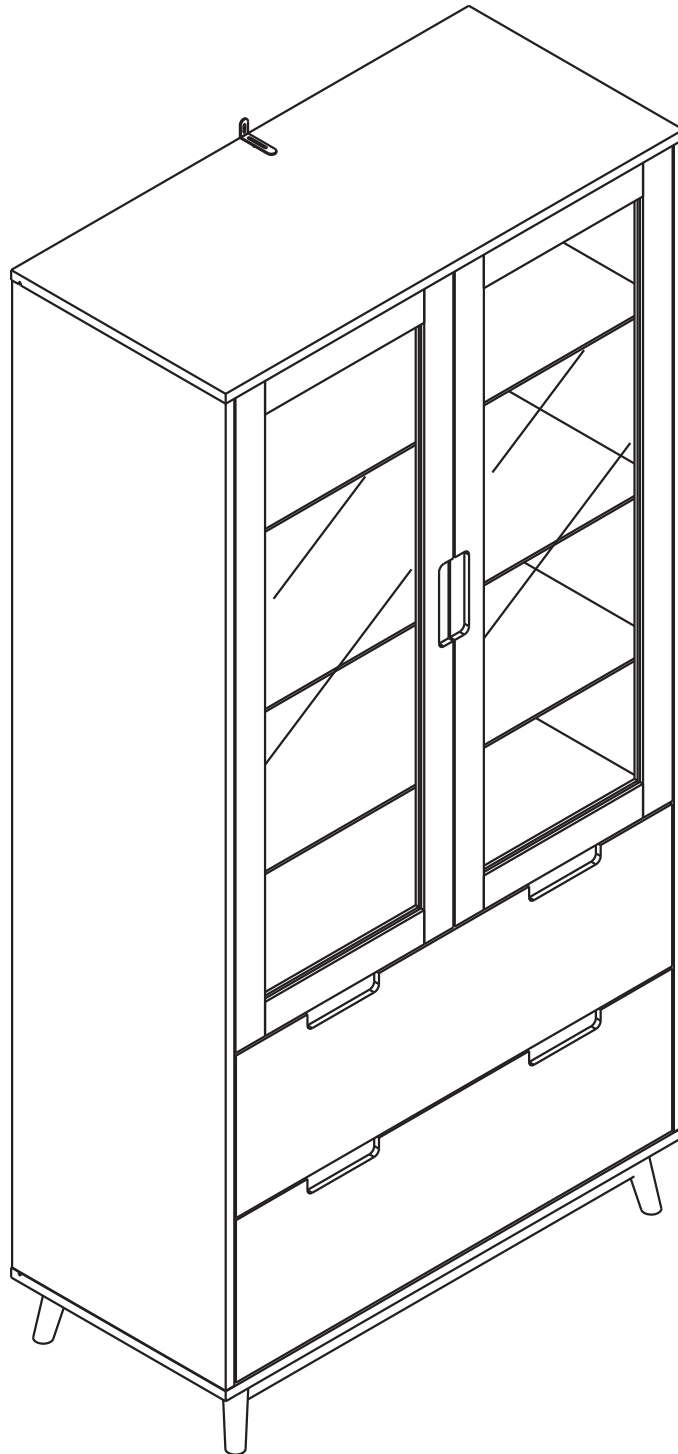


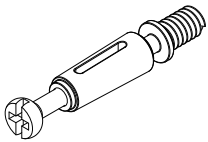

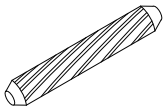
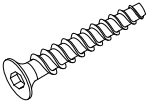
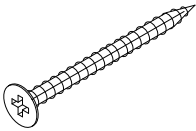


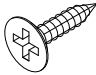
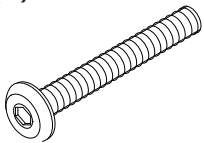
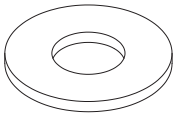
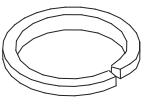
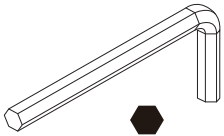
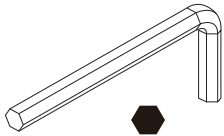
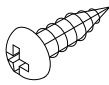
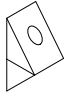
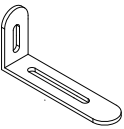
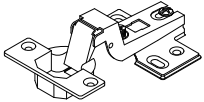
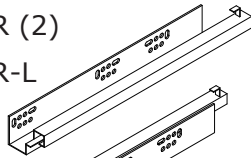
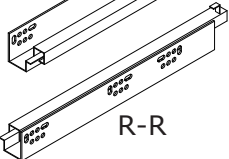
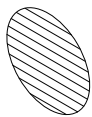
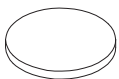
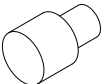
3001005
3001006

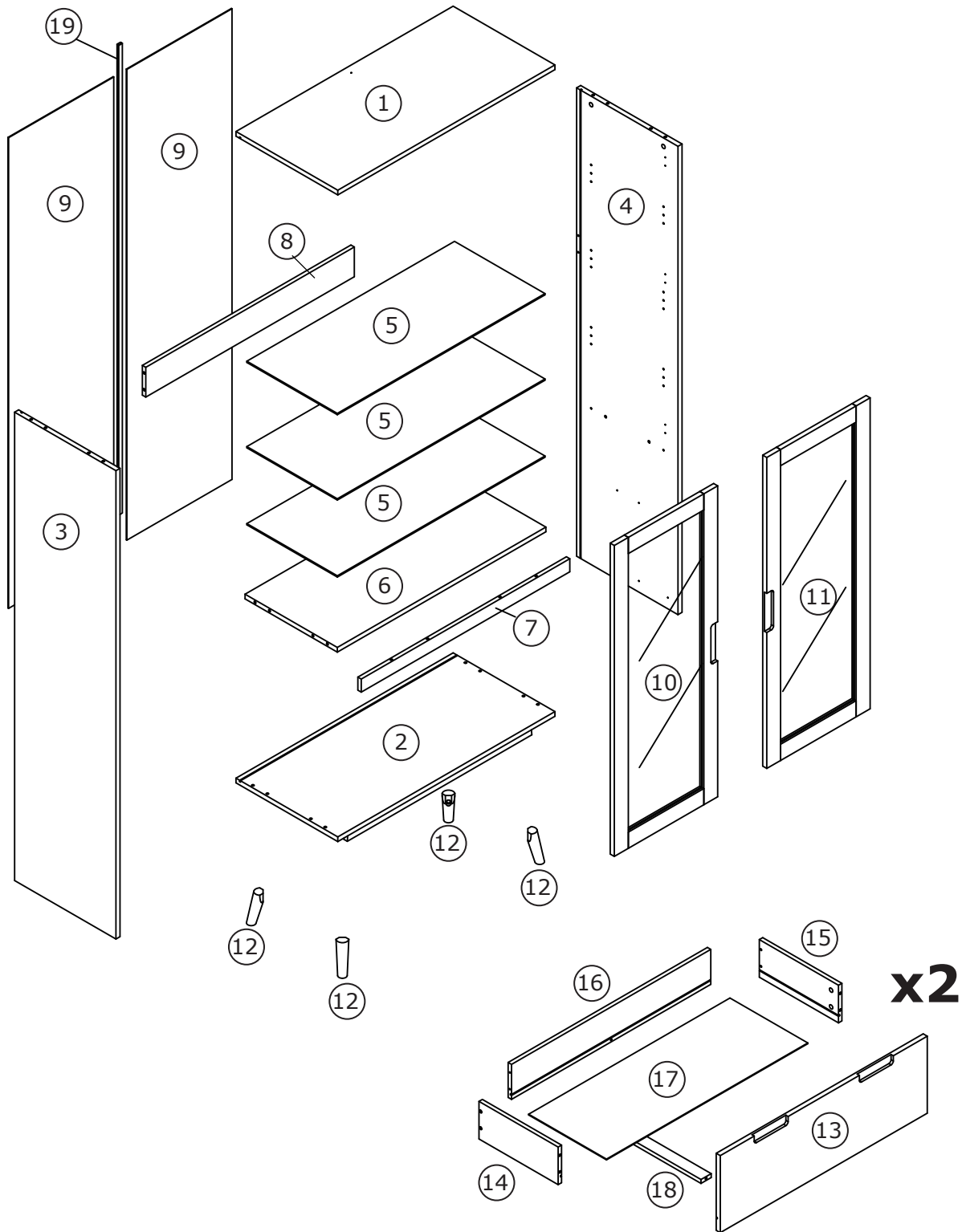
Copenhagen Display Cabinet

**HOUSE
NORDIC**



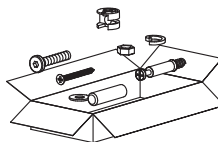


<p>A (24)</p> 	<p>B (24)</p> 	<p>C (14)</p>  <p>Ø8×30 mm</p>	<p>D (4)</p>  <p>Ø6.3×50 mm</p>	<p>E (10)</p>  <p>Ø5×40 mm</p>
<p>F (12)</p>  <p>Ø5×13 mm</p>	<p>G (10)</p>  <p>Ø3×16 mm</p>	<p>H (36)</p>  <p>Ø4×14 mm</p>	<p>I (4)</p>  <p>Ø8×75mm</p>	<p>J (4)</p>  <p>Ø8/Ø19 mm</p>
<p>K (4)</p>  <p>Ø14 mm</p>	<p>L (1)</p>  <p>5 mm</p>	<p>M (1)</p>  <p>4 mm</p>	<p>N (1)</p>  <p>Ø4×12 mm</p>	<p>O (10)</p> 
<p>P (1)</p> 	<p>Q (6)</p> 	<p>R (2)</p> <p>R-L</p>  <p>R-R</p> 	<p>S (24)</p>  <p>Ø20 mm</p>	<p>T (4)</p>  <p>Ø25×3 mm</p>
<p>U (14)</p> 				



Box 1/2:

① x1 ② x1 ⑤ x3 ⑫ x4 ⑬ x2



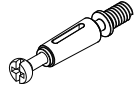
Box 2/2:

⑥ x1 ⑦ x1 ⑧ x1 ⑩ x1 ⑪ x1 ⑭ x2 ⑮ x2 ⑯ x2 ⑰ x2

Box 3/3:

③ x1 ④ x1 ⑨ x2 ⑰ x2 ⑲ x1

1



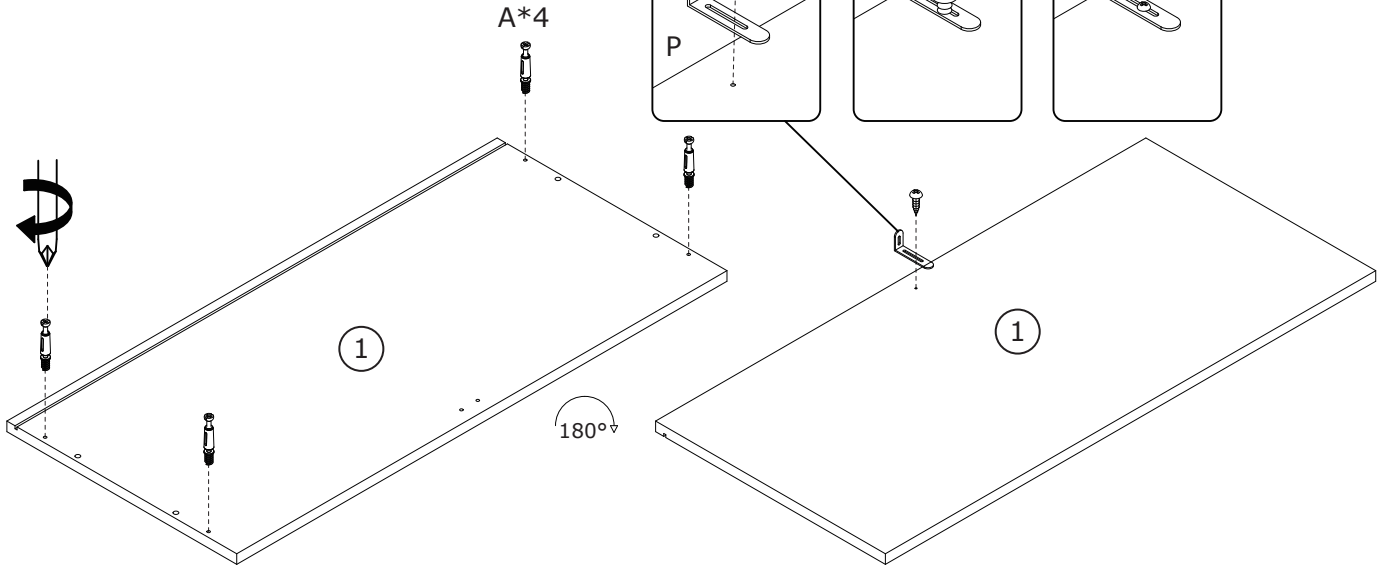
A (4)



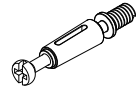
N (1)



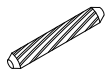
P (1)



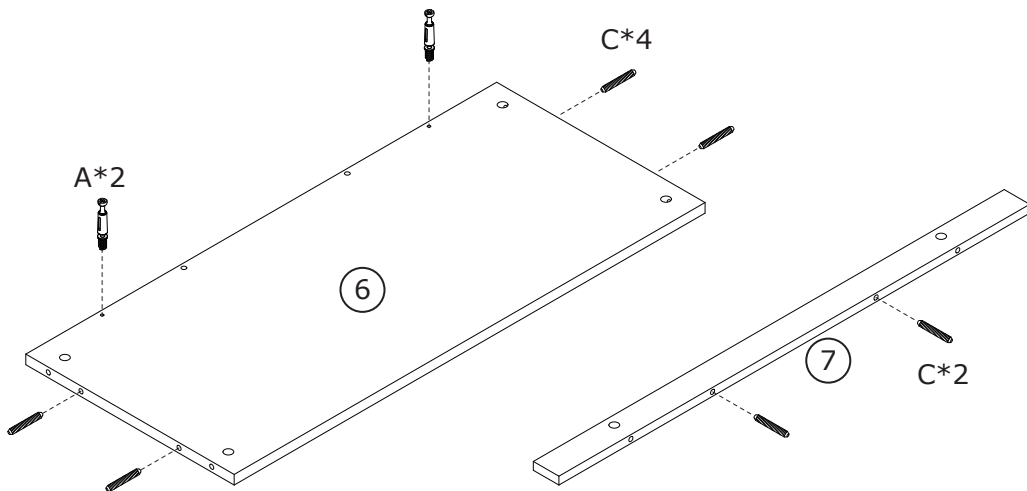
2



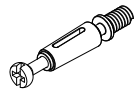
A (2)



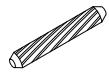
C (6)



3



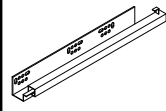
A(4)



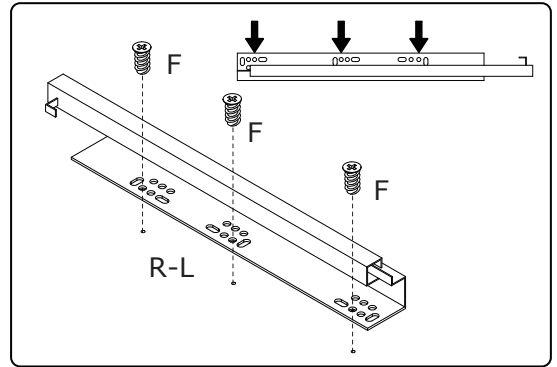
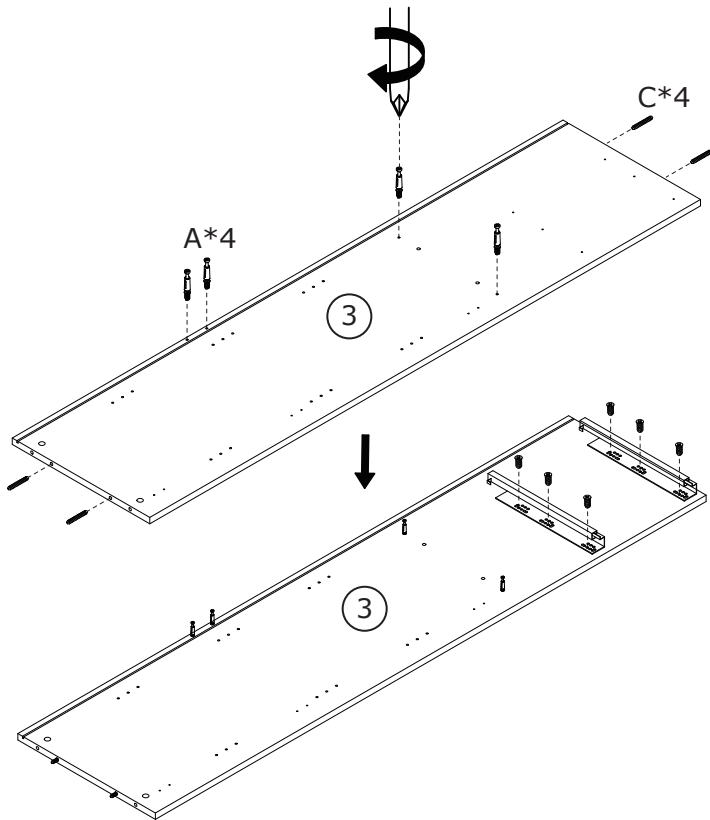
C(4)



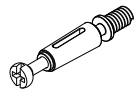
F(6)



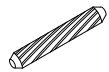
R-L(2)



4



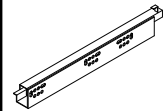
A(4)



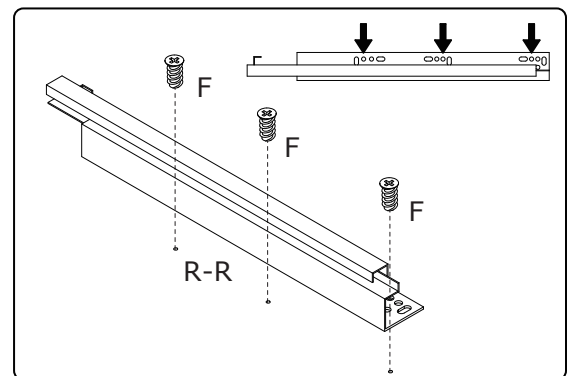
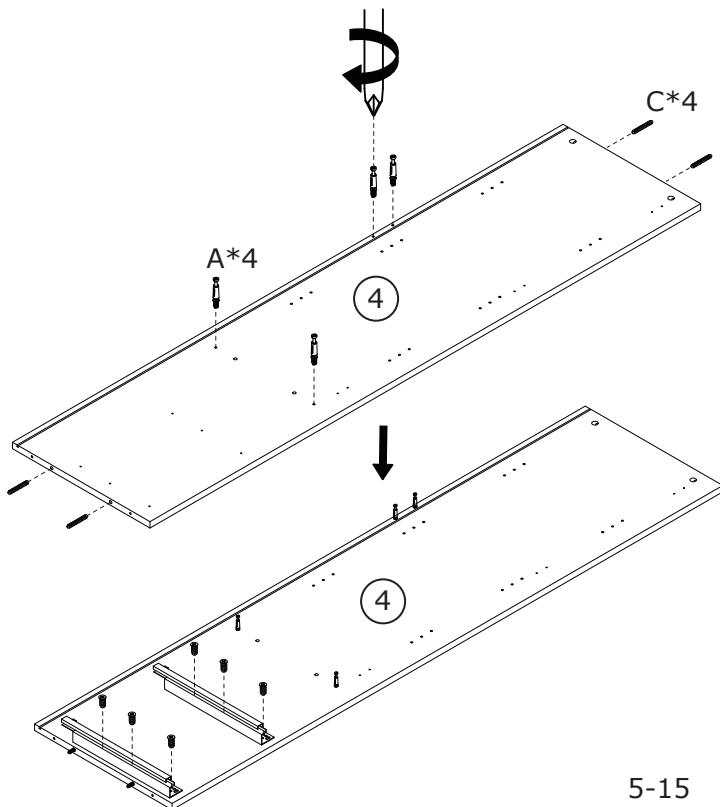
C(4)



F(6)



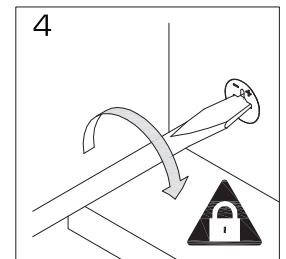
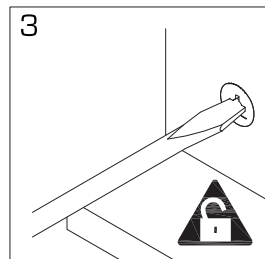
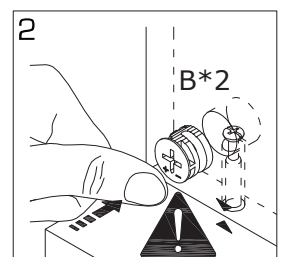
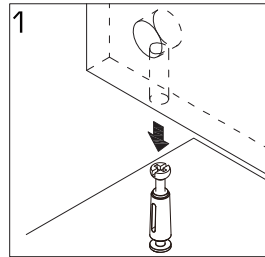
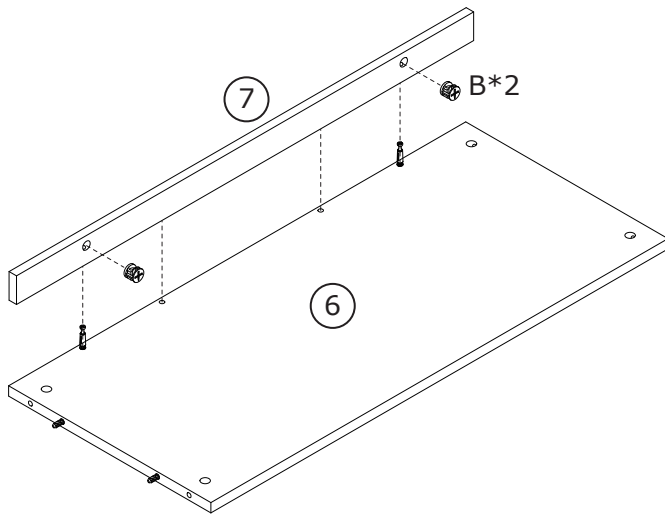
R-R(2)



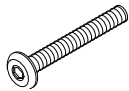
5



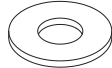
B(2)



6



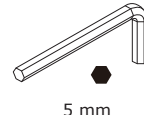
I(4)



J(4)

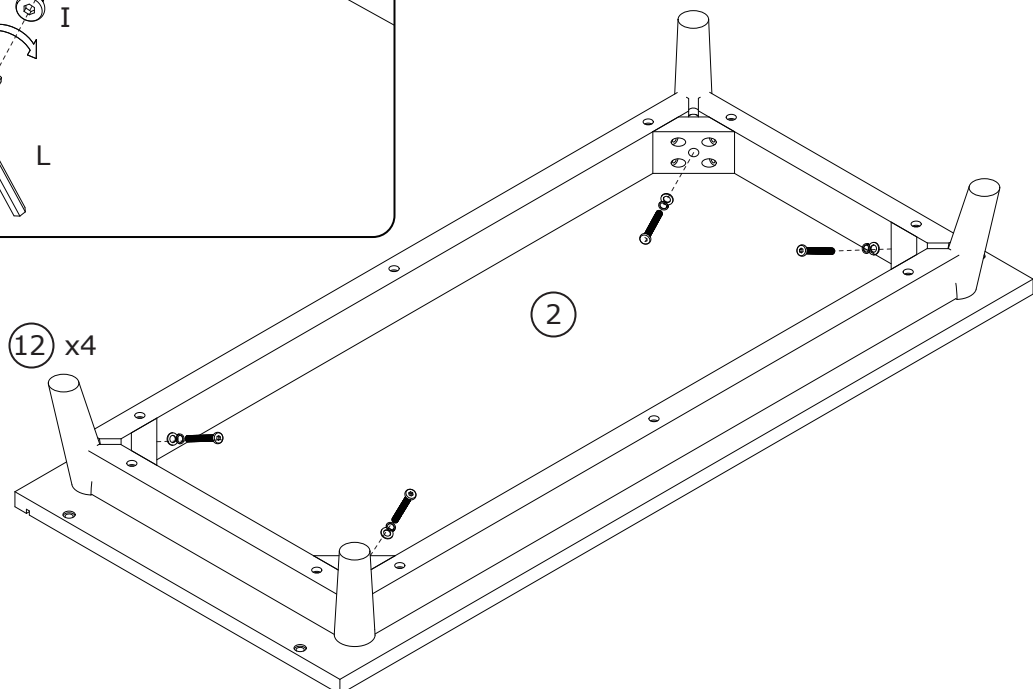
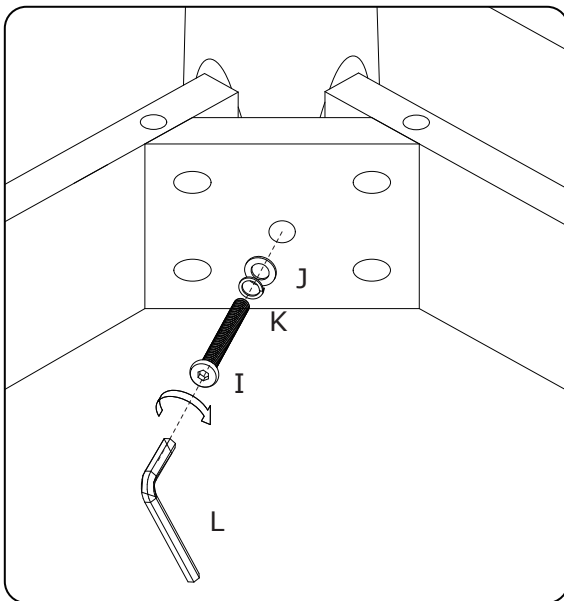


K(4)



5 mm

L(1)



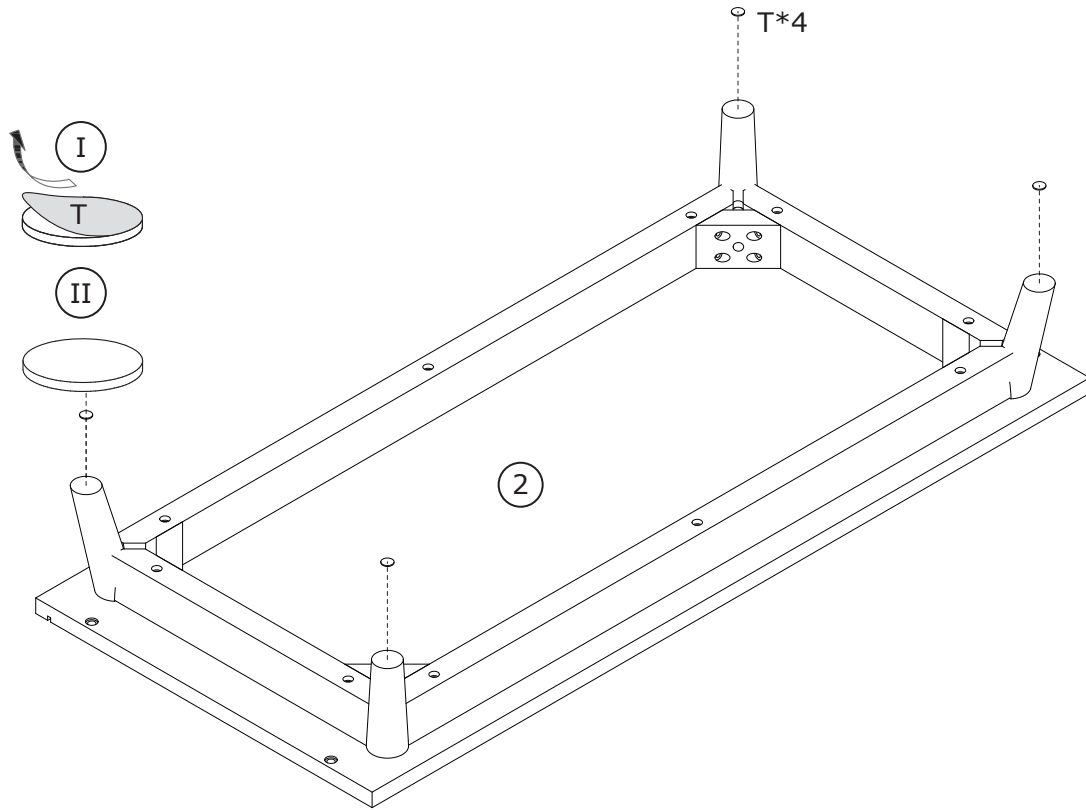
12 x4

2

7



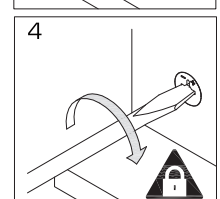
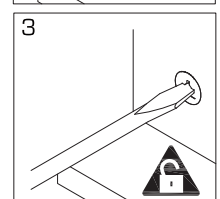
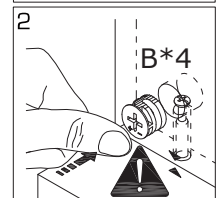
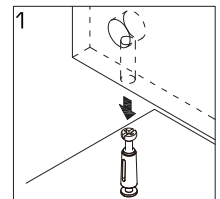
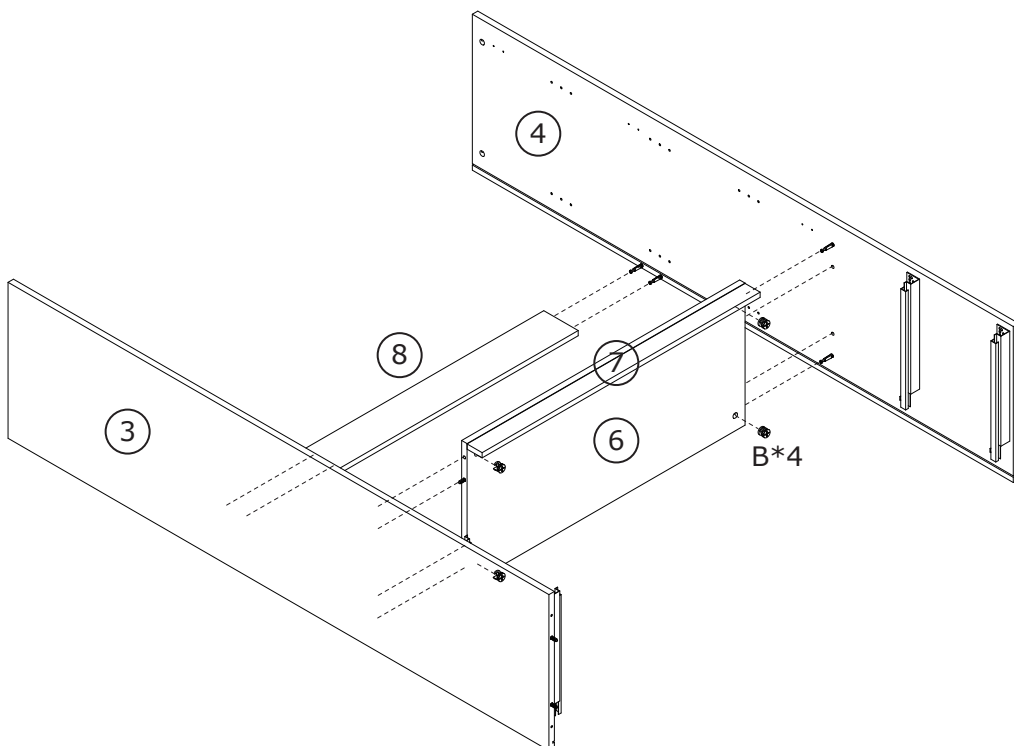
T(4)



8



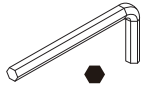
B(4)



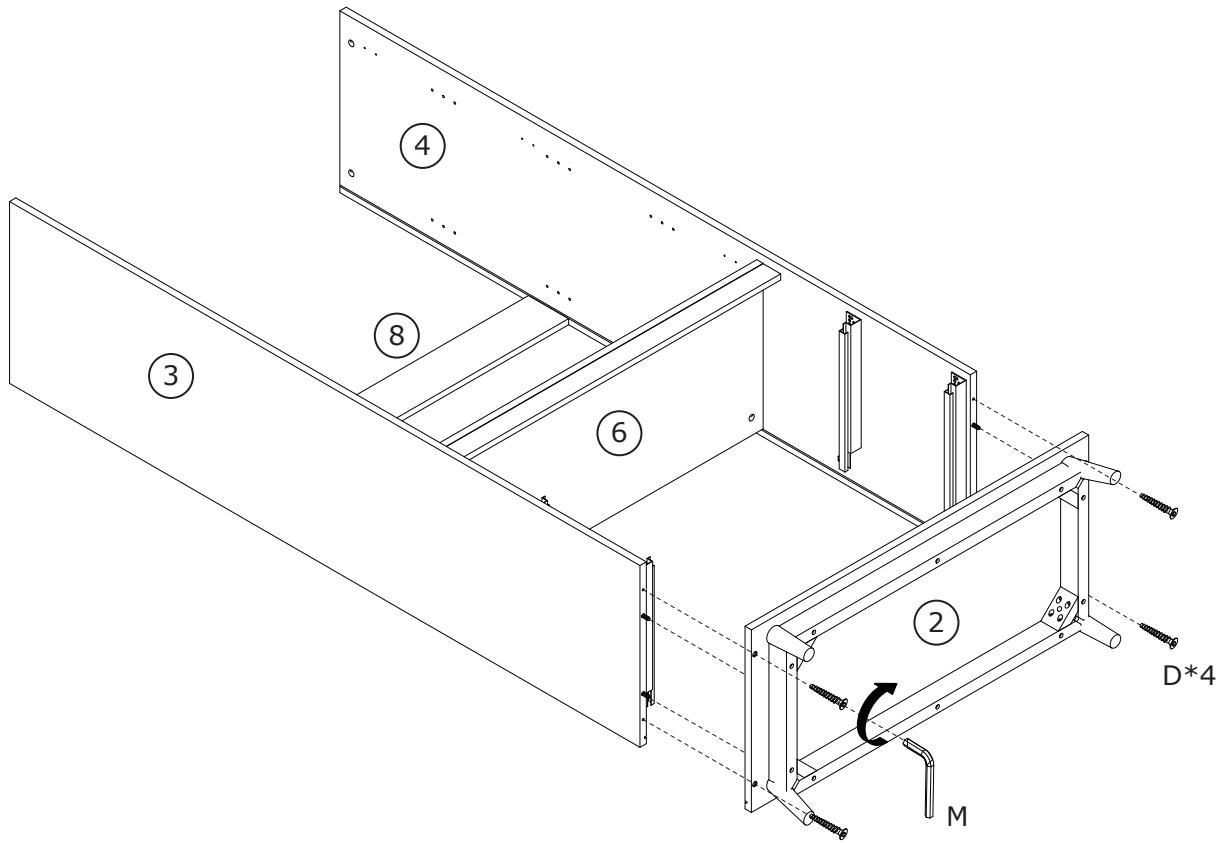
9



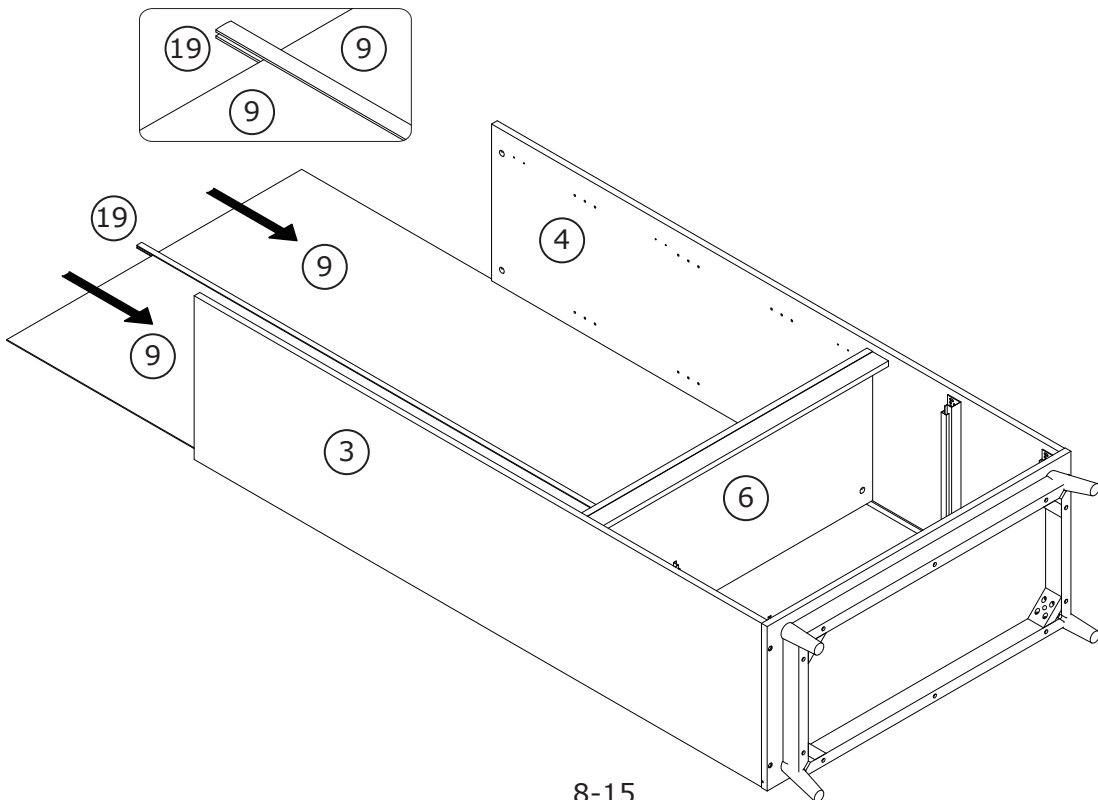
D (4)



4 mm
M (1)



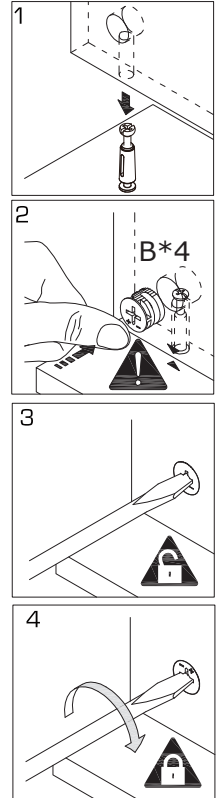
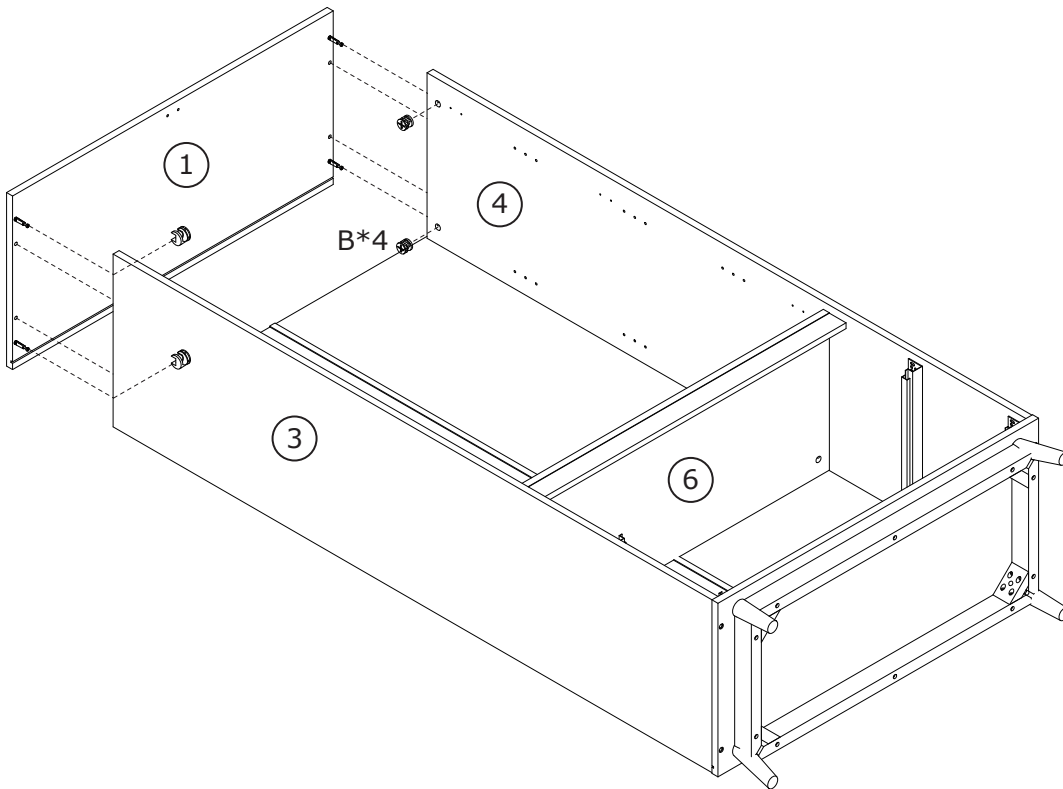
10



11



B(4)



12



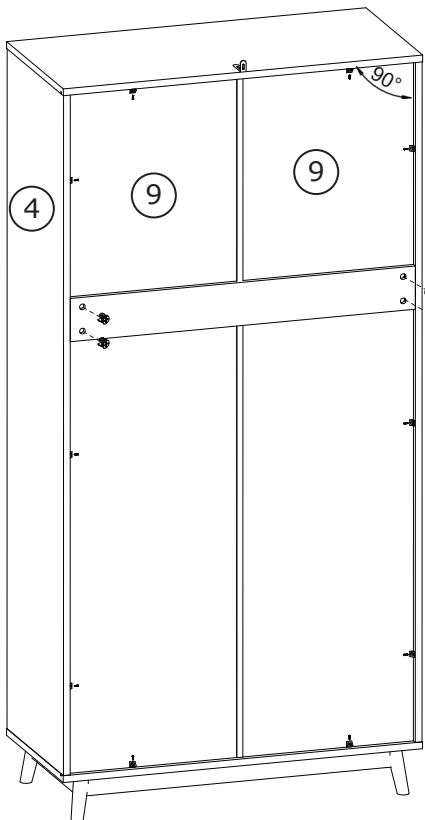
B(4)



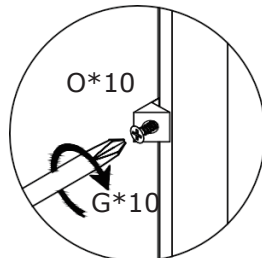
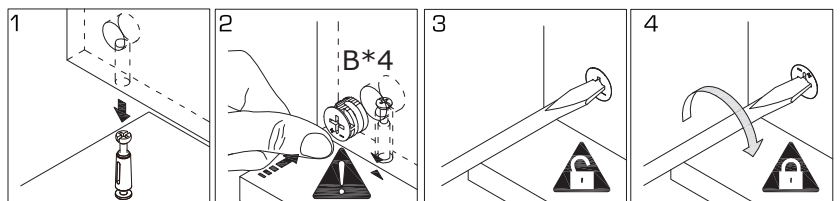
G(10)



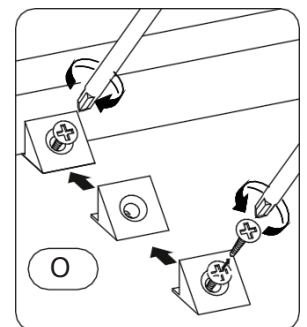
O(10)



B*4



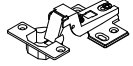
1. Please remove the screw from the plastic cap
2. Place the plastic cap in the right position
3. Add the screw in the plastic cap and screw it through



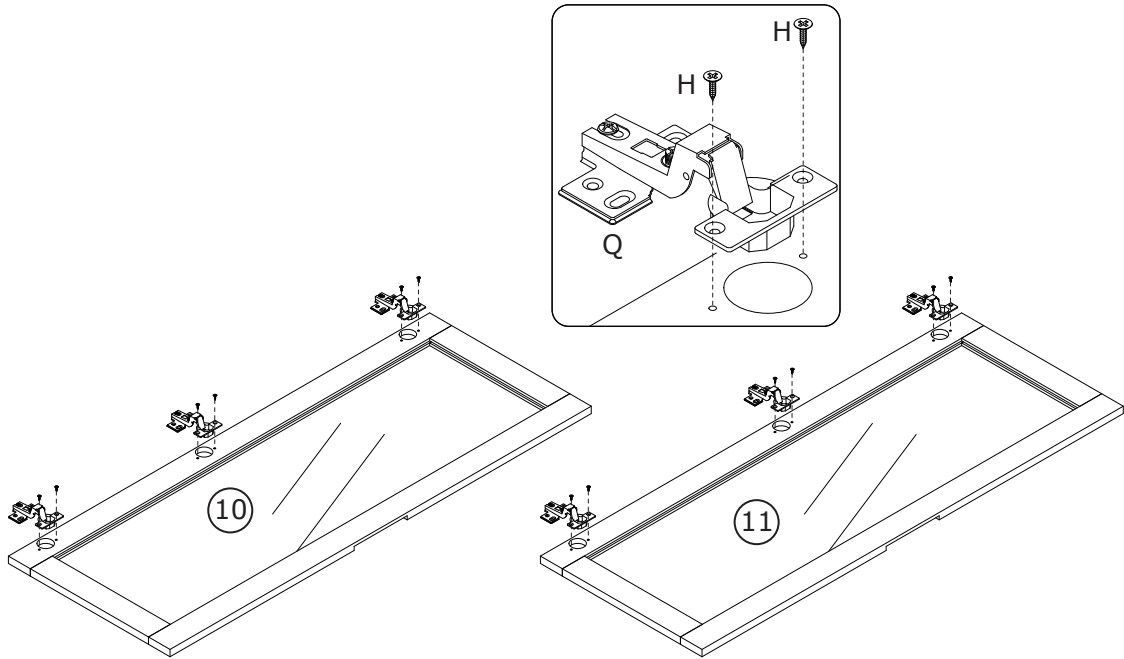
13



H(12)



Q(6)



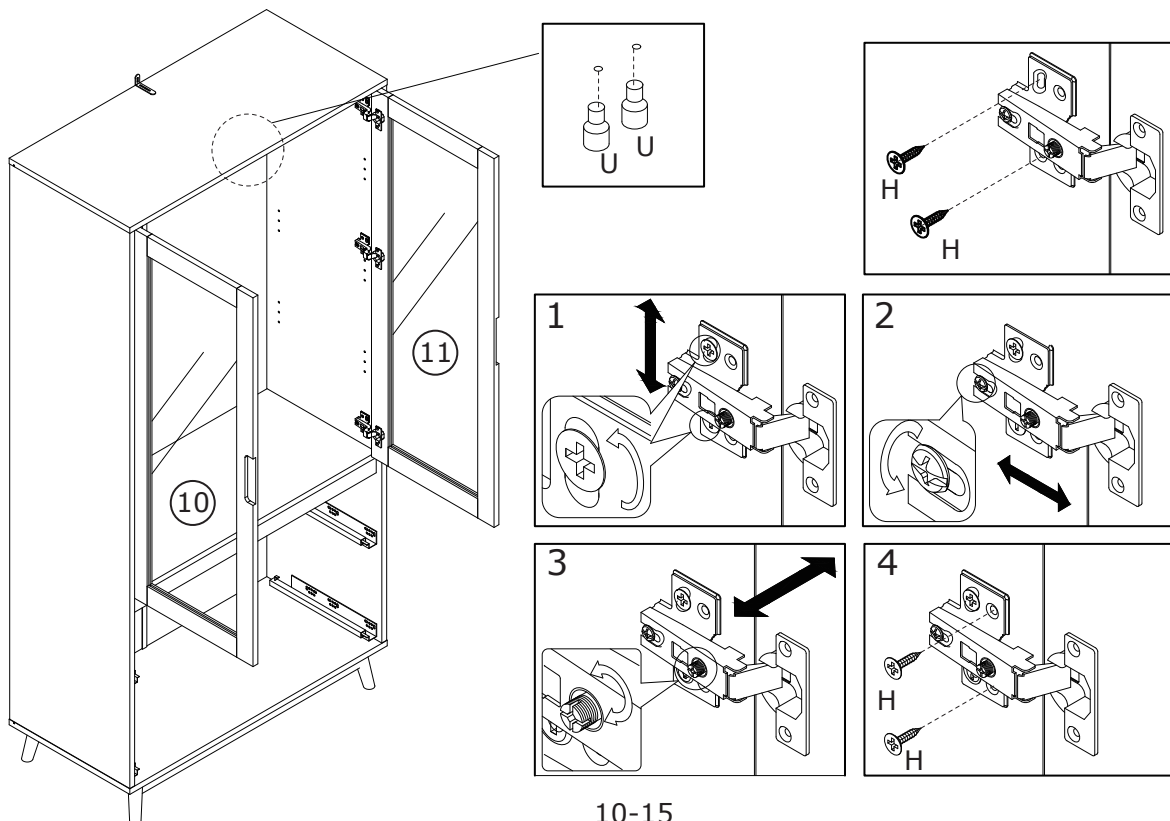
14



H(24)

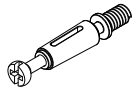


U(2)



10-15

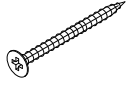
15



A(10)

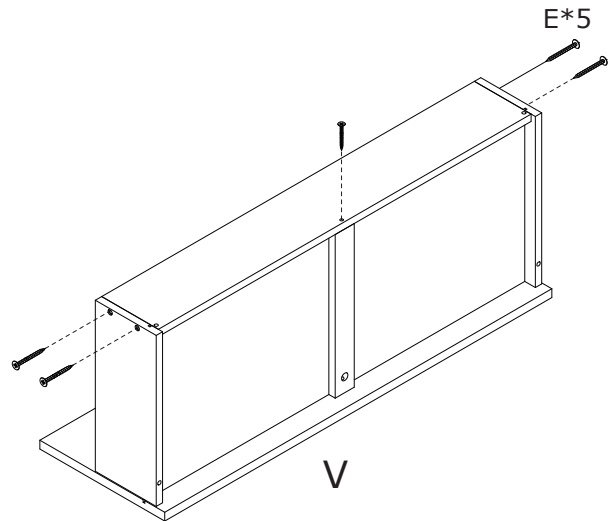
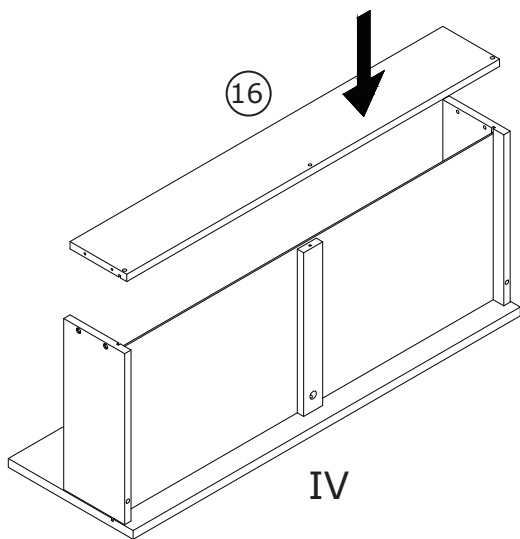
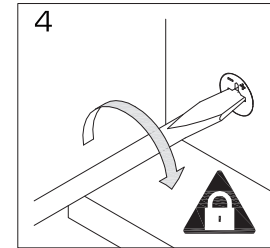
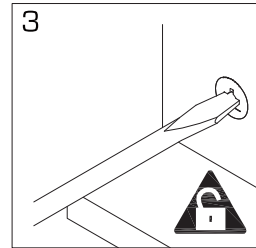
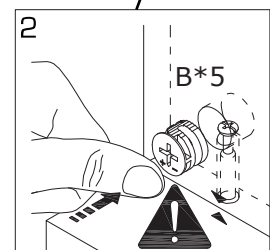
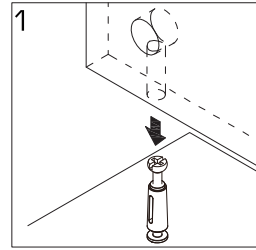
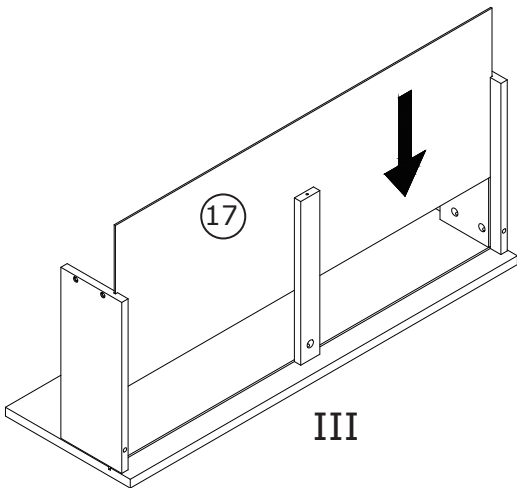
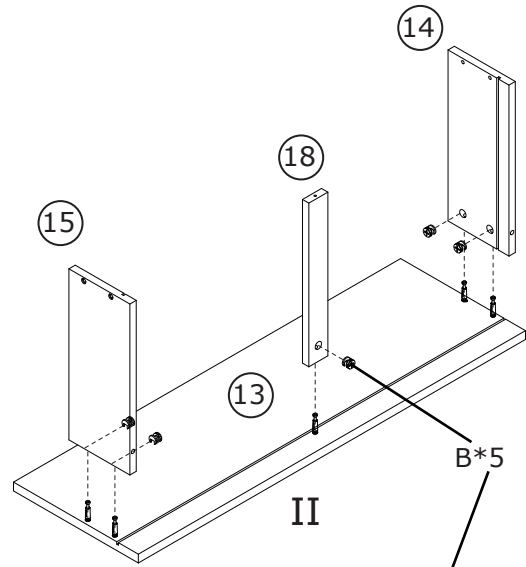
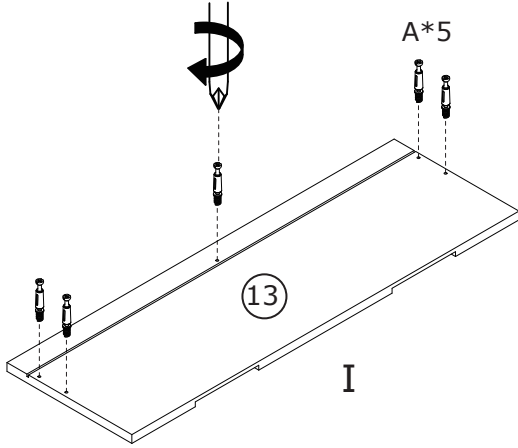


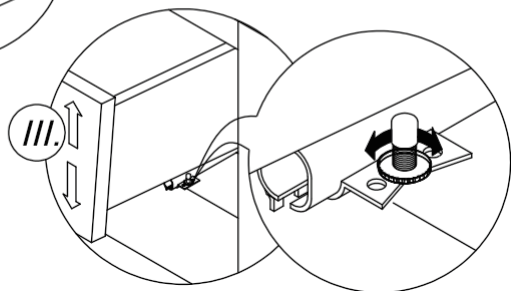
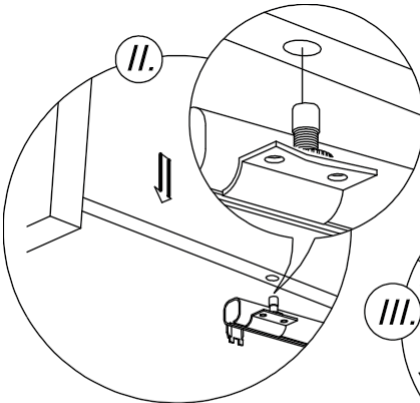
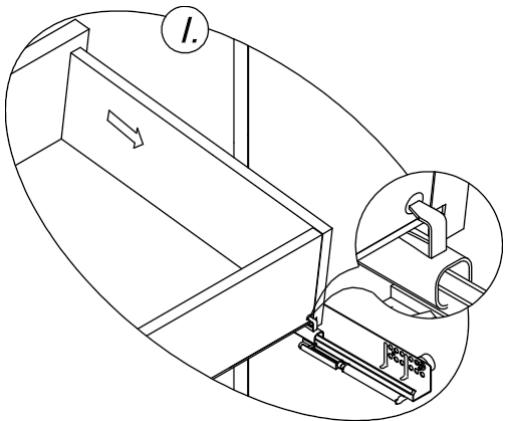
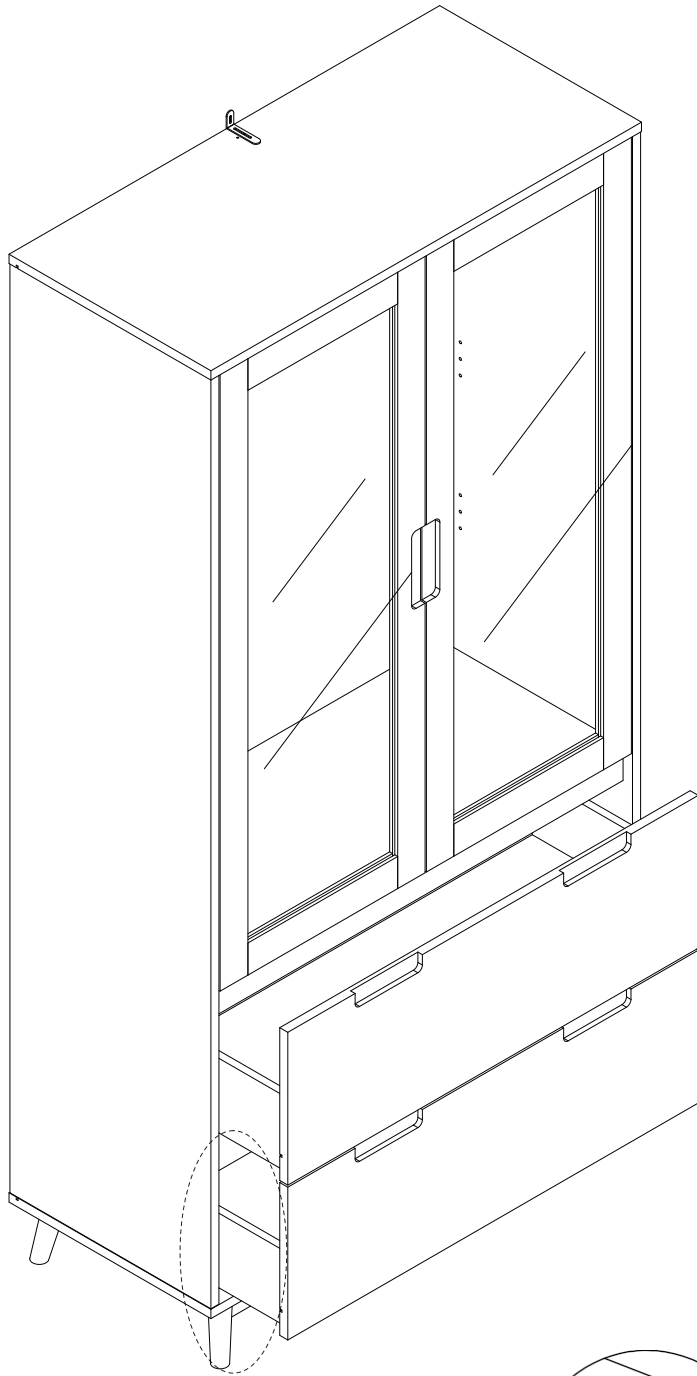
B(10)

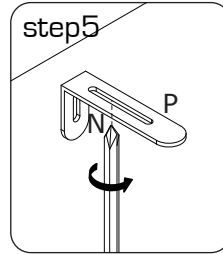
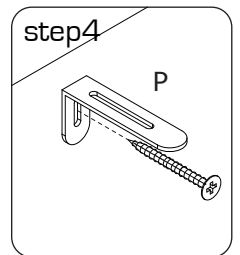
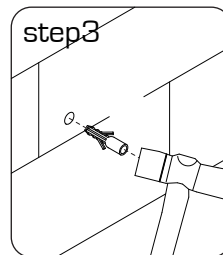
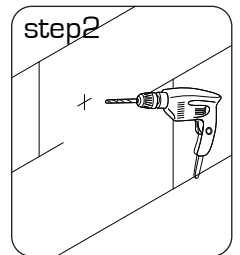
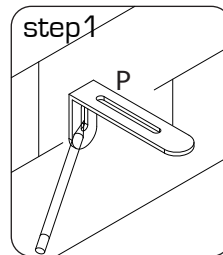
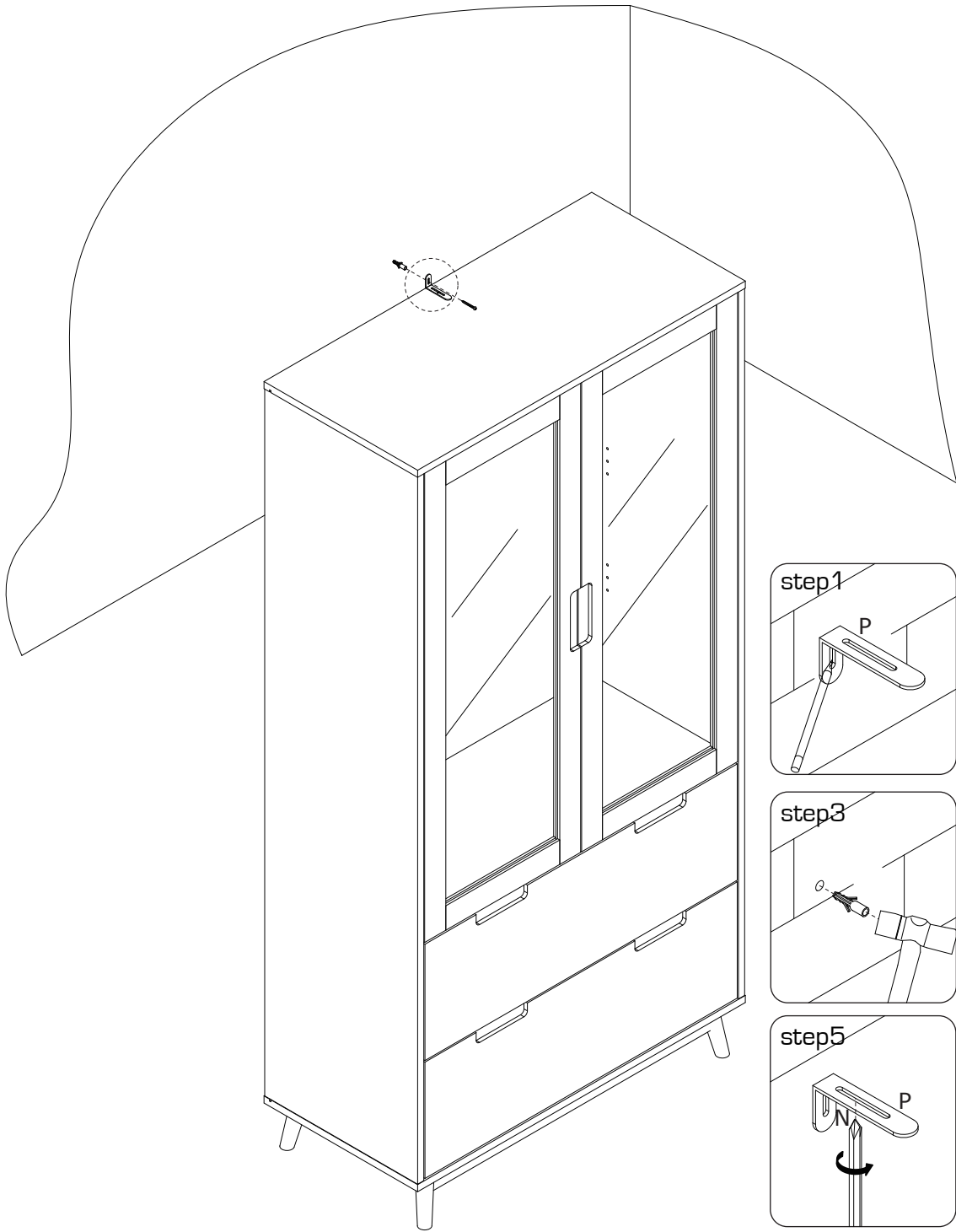


E (10)

x2







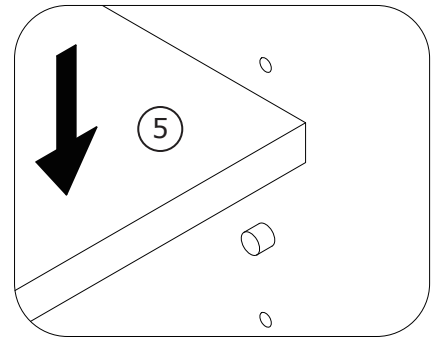
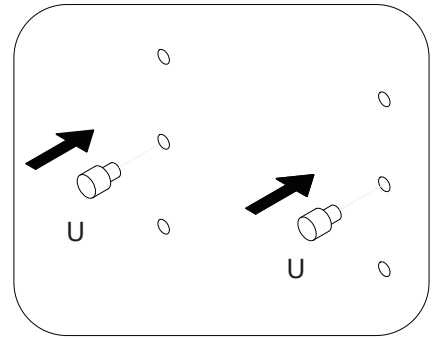
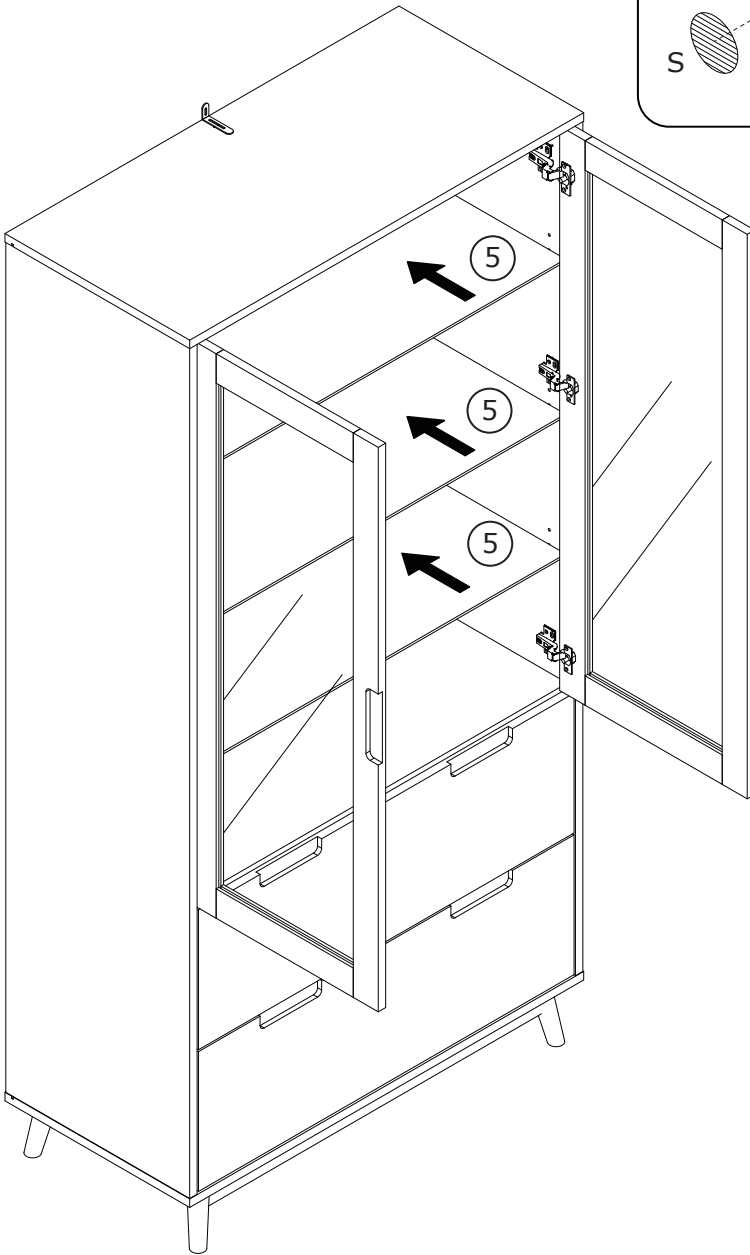
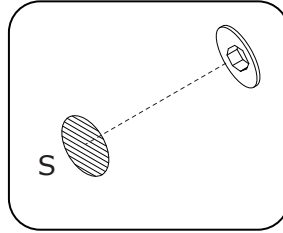
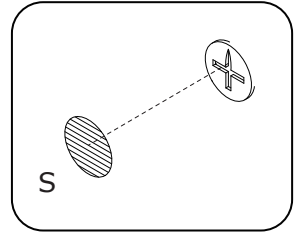
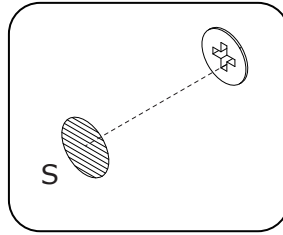
18



S(24)



U(12)



19

