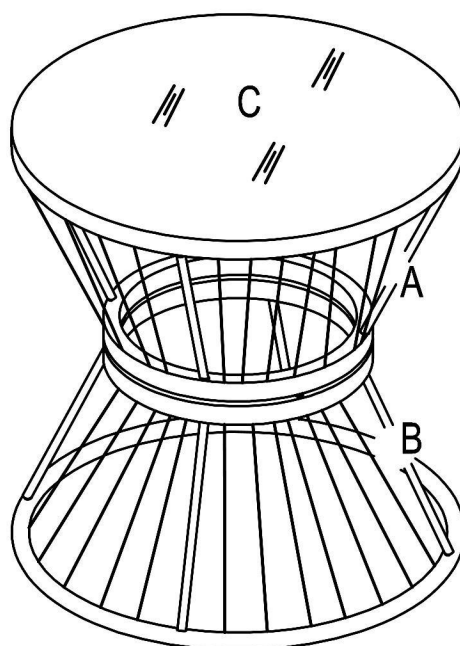








# 7701030

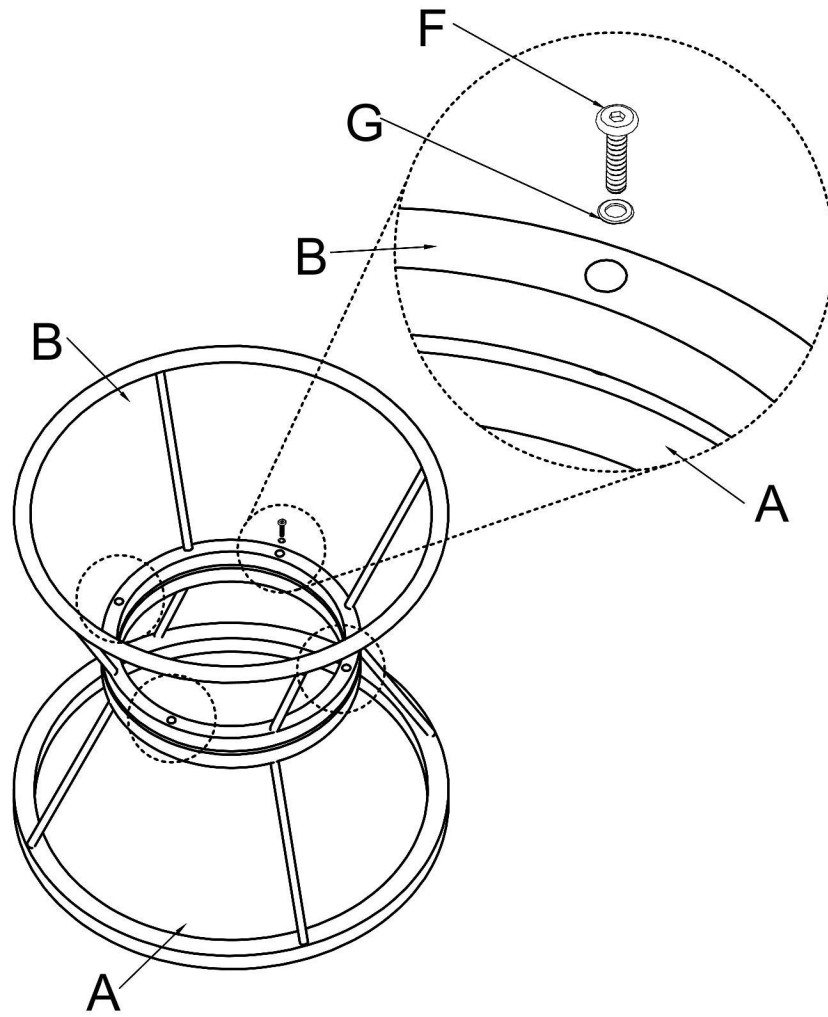
## Instruction Manual



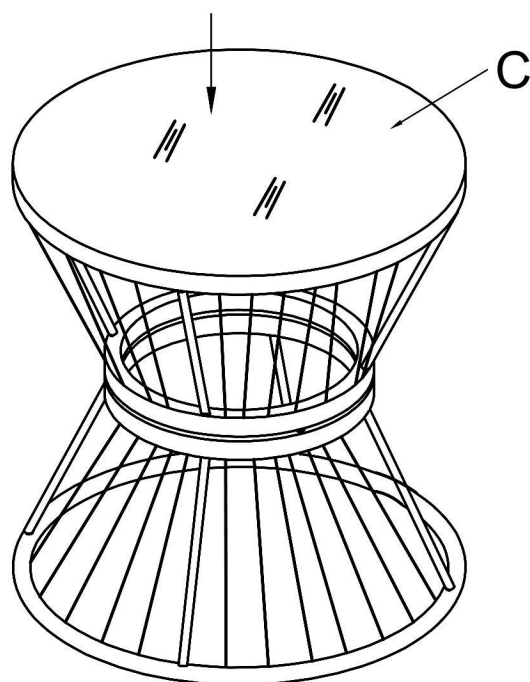
A		1
B		1
C		1

<b>F. Bolt</b>  M6*30*4PCS	<b>G. Shim</b>  M6*4PCS	<b>H. Hexagon Key</b>  M6*1PC
---	--	--



# Step 1:


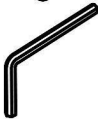



# Step 2:

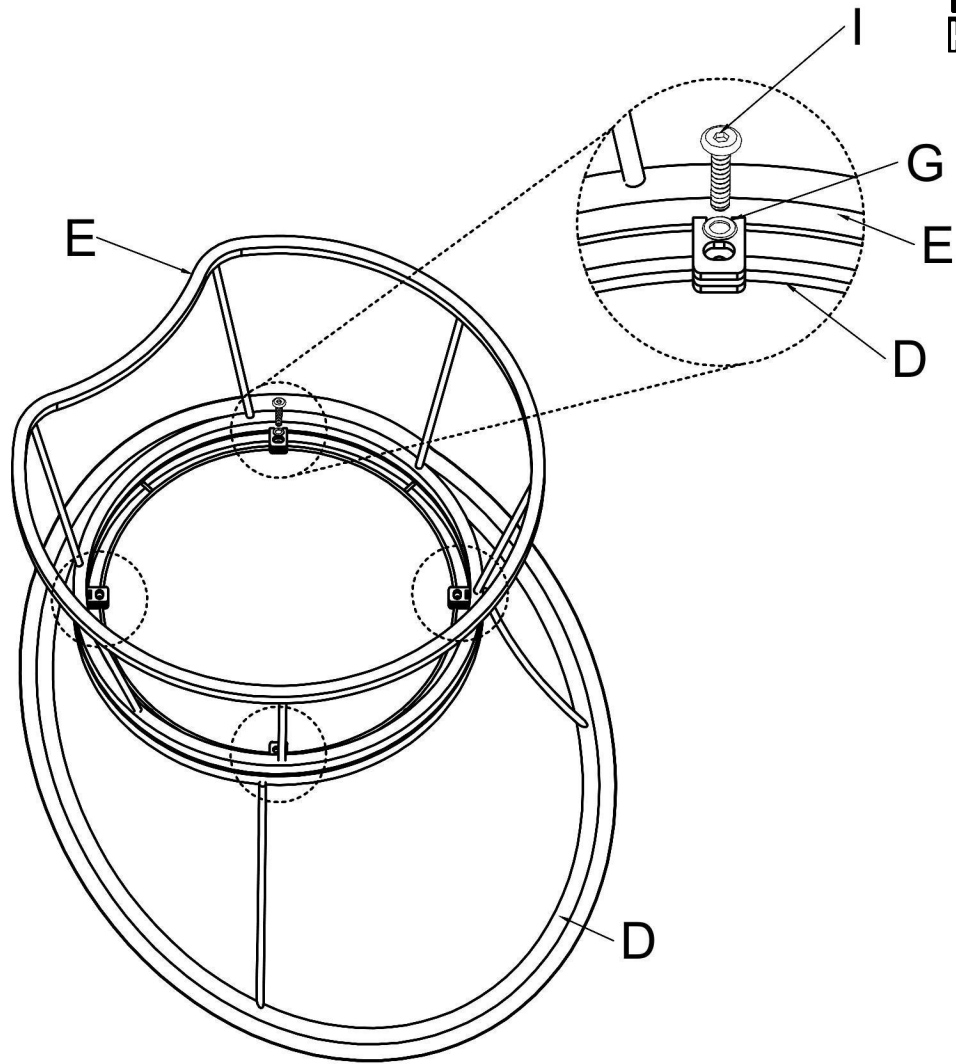




D		2
E		2

<p>I. Bolt</p>  <p>M6*15*8PCS</p>	<p>H. Hexagon Key</p>  <p>M6*1PC</p>	<p>G. Shim</p>  <p>M6*8PCS</p>
--	---	---

# Step 1:



# Step 2:

