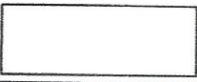





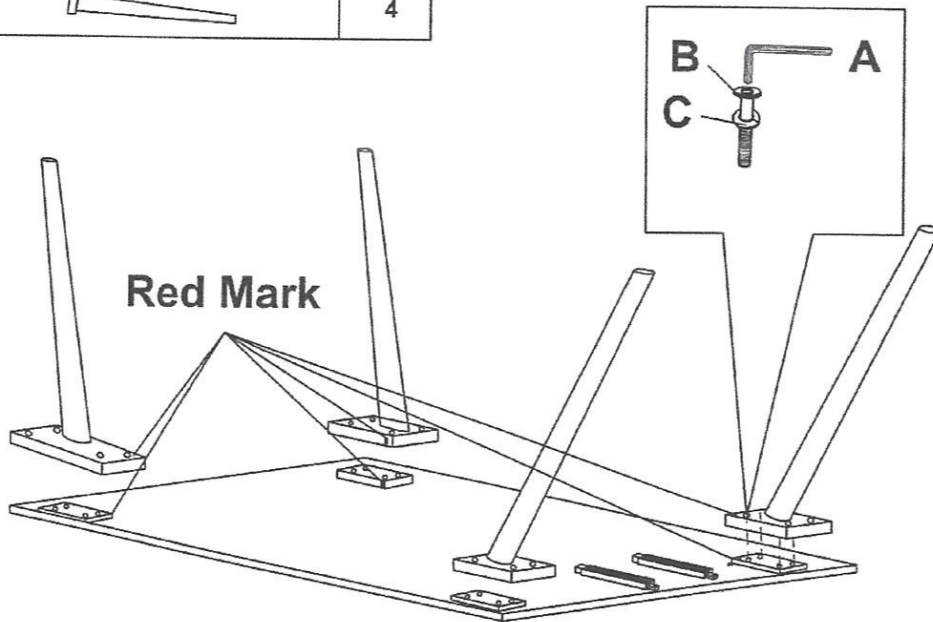


ASSEMBLY INSTRUCTIONS

NO.	TABLE PARTS	QTY
1	TABLE TOP 	1
2	DROP LEAF 	1
3	TABLE LEGS 	4

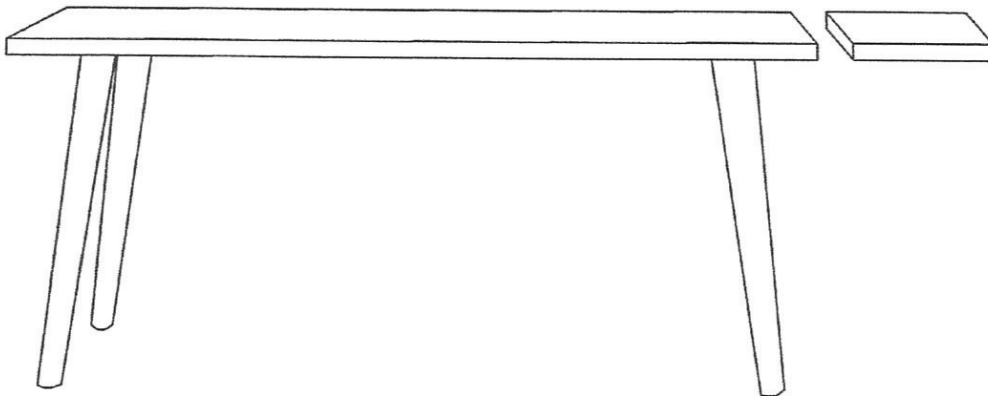
NO.	HARDWARE PACKAGE	QTY
A		1
B		16
C		16

STEP1



STEP2

INSERT DROP LEAF TO TABLE



**CONGRATULATION !
YOUR TABLE IS NOW READY FOR USE.**

** MUST TIGHTEN SCREW PERIODICALLY WITH USE SCREW WILL BECOME LOOSE.
CHECK TIGHTNESS OF ALL SCREW EVERY 6-8 WEEKS.