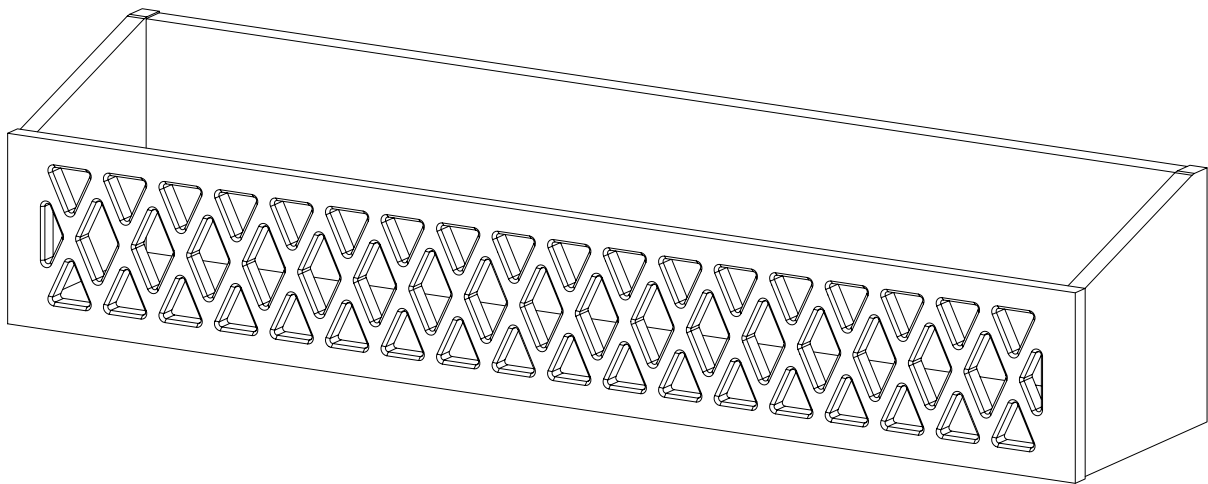


ASSEMBLY GUIDE  
MONTAGE  
SAMLEVEJLEDNING

2008A - HARLEQUIN SHELF  
37 - OAK



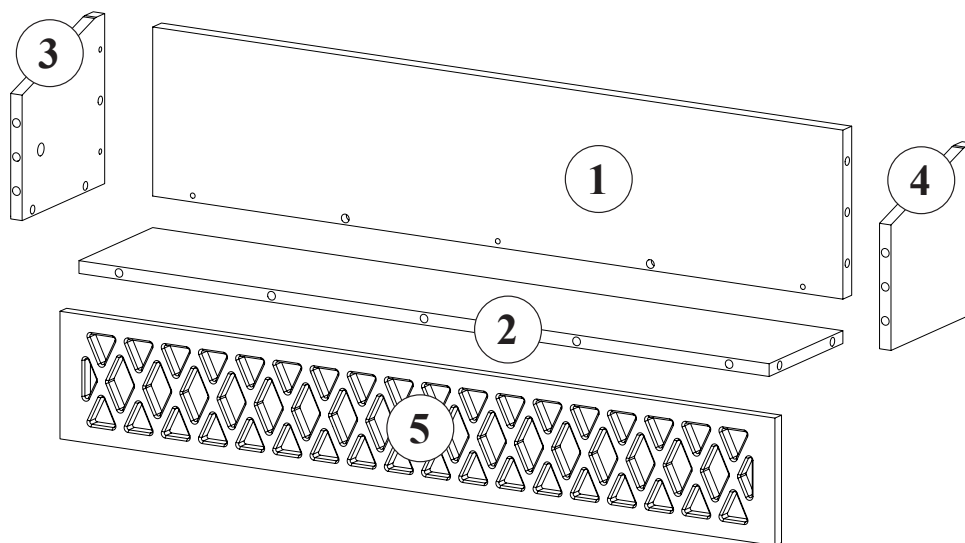
12380/1

IMPORTANT, RETAIN FOR FUTURE REFERENCE: READ CAREFULLY

# ASSEMBLY GUIDE MONTAGE SAMLEVEJLEDNING MONTERING

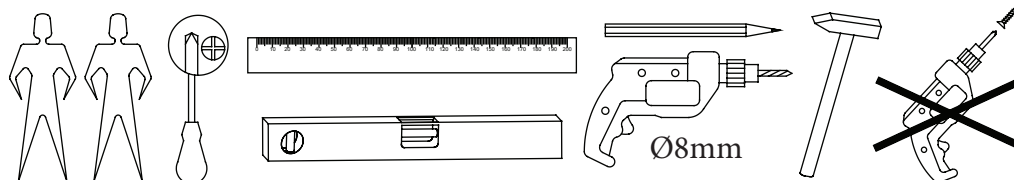
## PARTS LIST

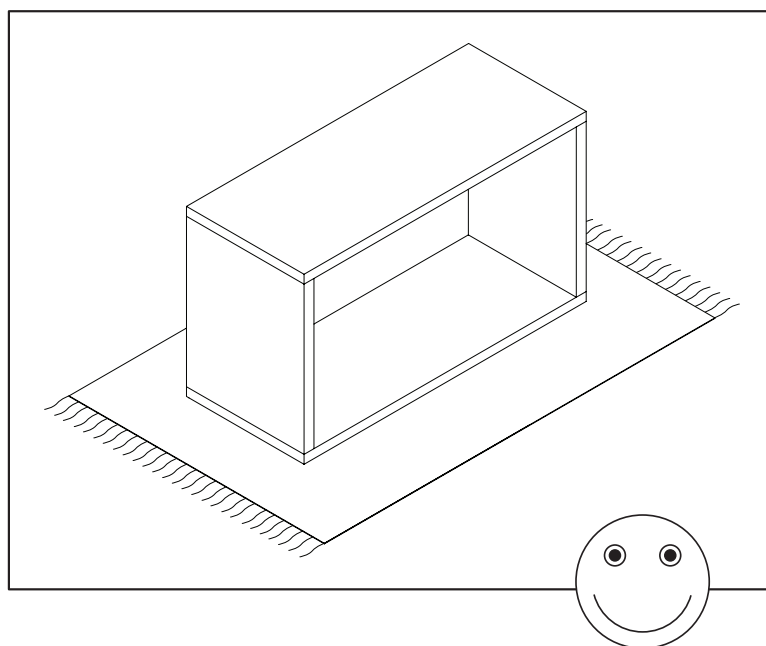
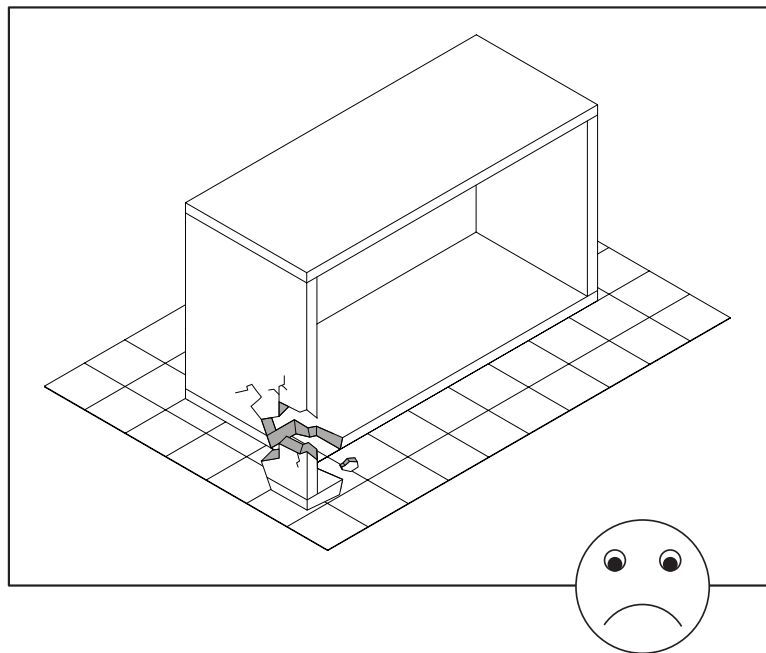
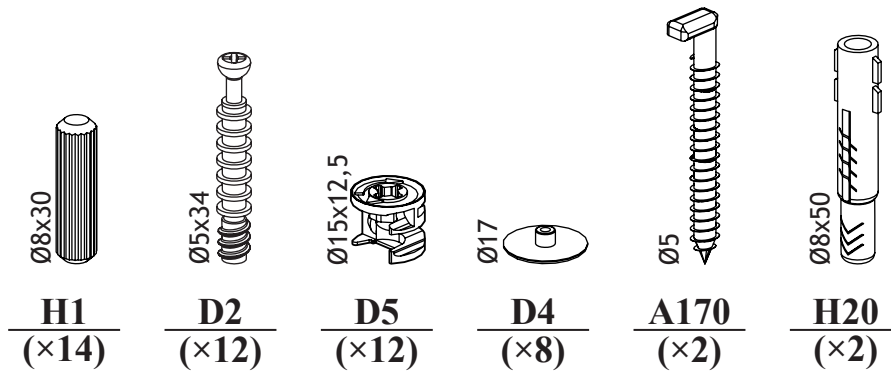
Item No.	Dimensions, mm	Quantity	Package
1	724 x 159 x 16	1	1/1
2	724 x 134 x 16	1	1/1
3	160 x 150 x 16	1	1/1
4	160 x 150 x 16	1	1/1
5	750 x 120 x 13	1	1/1



12380/1

## TOOLS NEEDED FOR ASSEMBLY



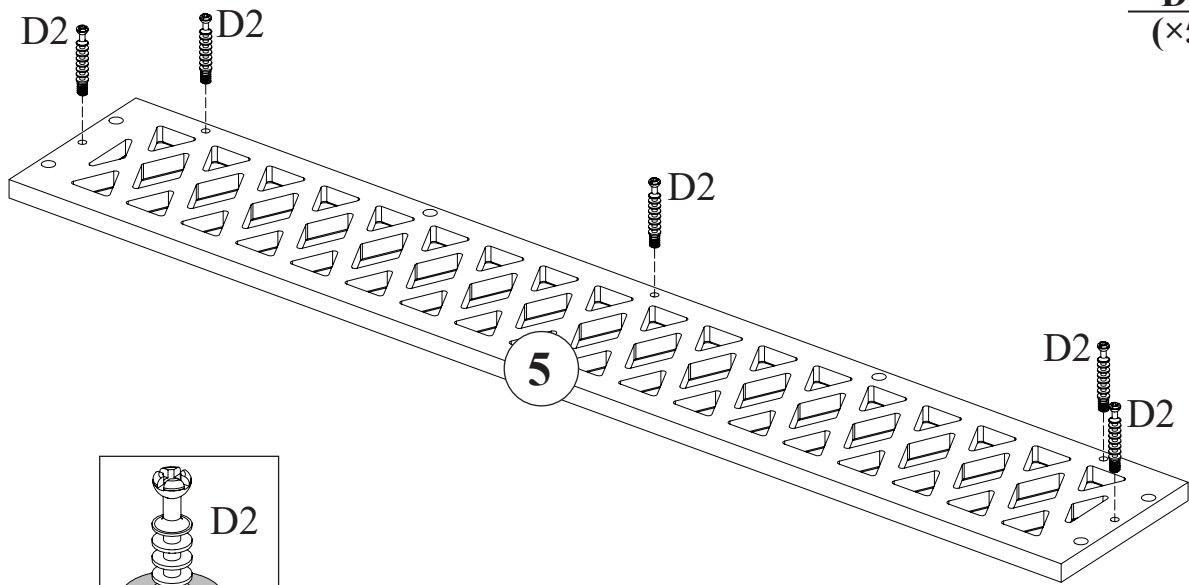



12380/1

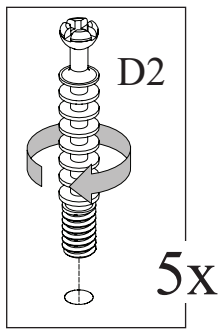




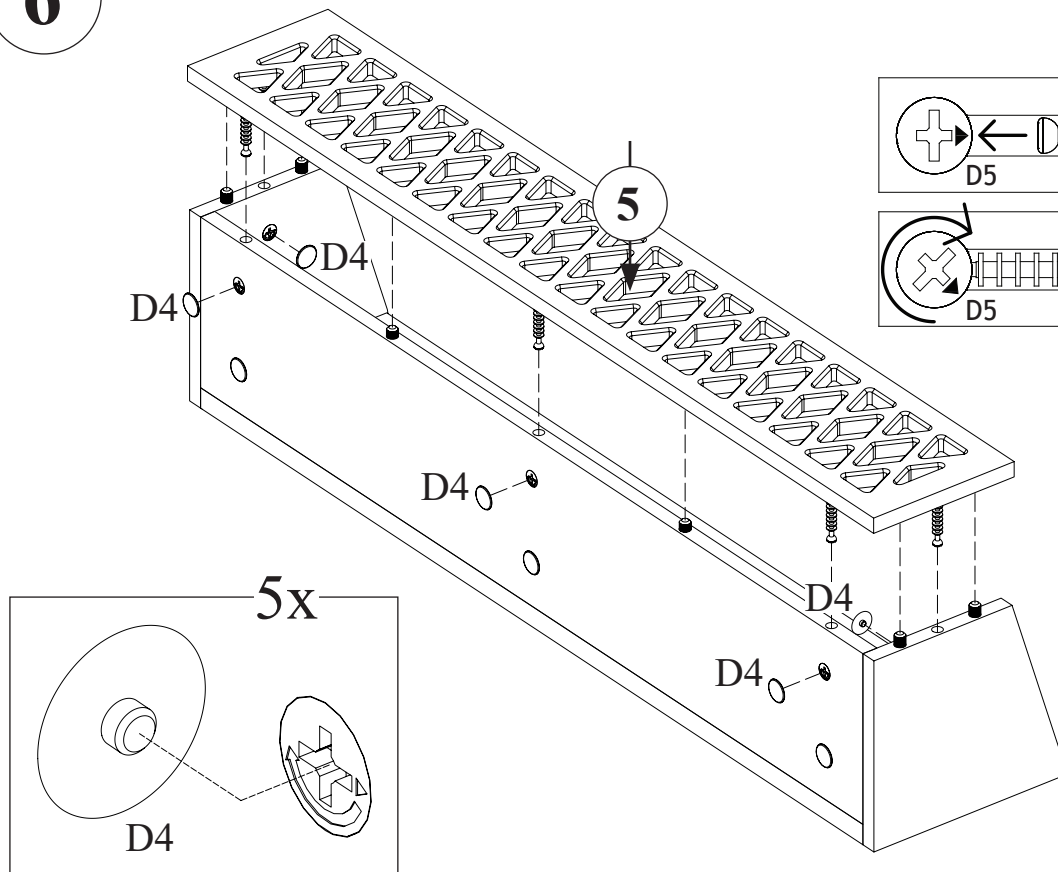
5



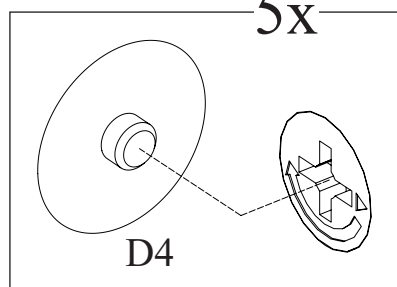
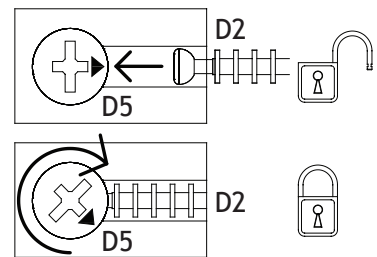
  
D2  
 (×5)



6

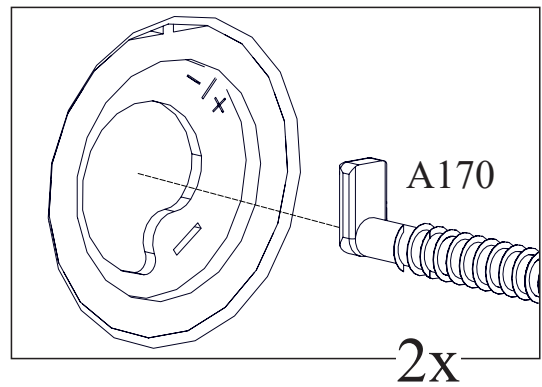
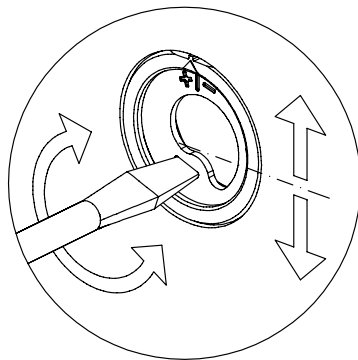
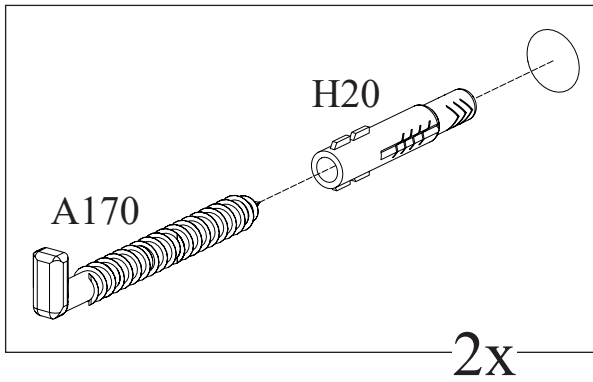
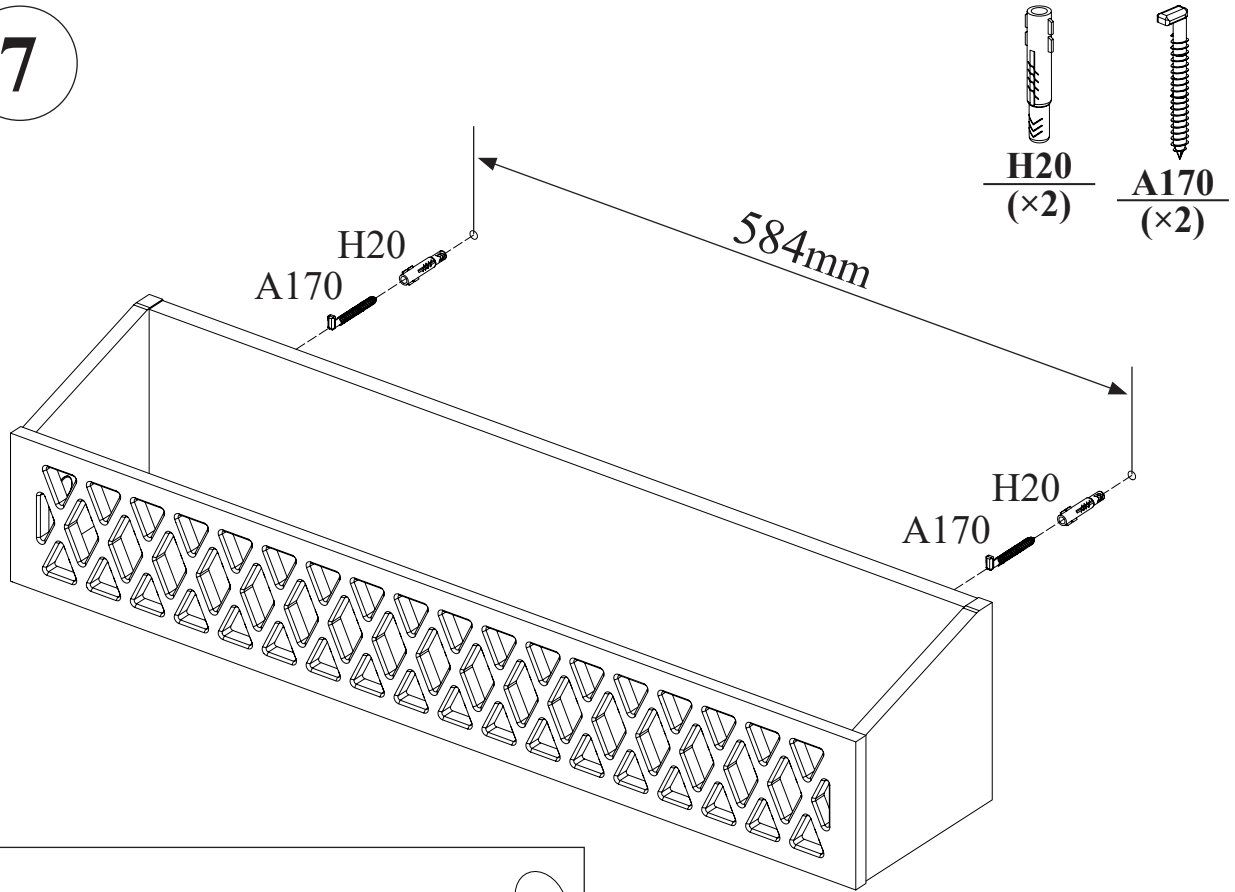


  
D4  
 (×5)



12380/1

7



12380/1

